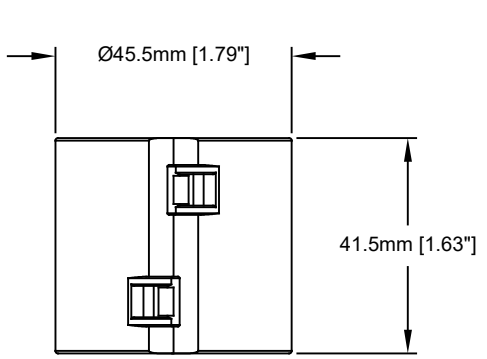
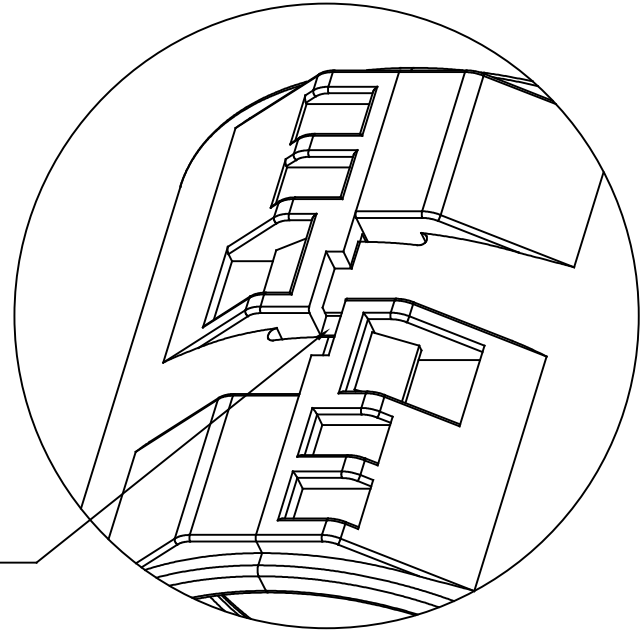
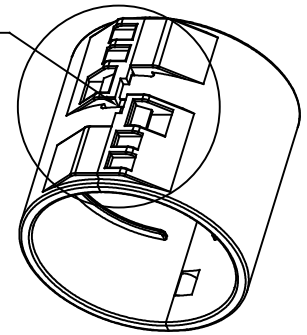


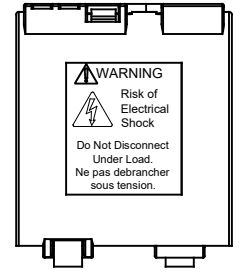
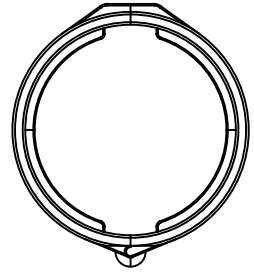
REVISIONS					
REV	ECO	DESCRIPTION	DATE	BY	APPR
A1	-	TECHNICAL DATA SHEET RELEASE	12-MAY-14	KMM	RFC



TO DISENGAGE: PLACE FLAT HEAD SCREWDRIVER HERE AND TURN COUNTER-CLOCKWISE.



TO DISENGAGE: PLACE FLAT HEAD SCREWDRIVER HERE AND TURN COUNTER-CLOCKWISE.



WARNING
Risk of Electrical Shock
Do Not Disconnect Under Load.
Ne pas debrancher sous tension.

WARNING
Risk of Electrical Shock
Do Not Disconnect Under Load.
Risque de chocs electriques
Ne pas debrancher sous tension.

Amphenol P/N	ROCKWELL P/N	MOLEX	TURCK
P29040	280-MTRLC-M35	66200A-10	LOCK-D POWER

TECHNICAL DATA:
1) MATERIALS: THERMOPLASTIC COLOR: BLACK
2) RoHS COMPLIANT

PART NUMBER		DESCRIPTION		ITEM
P29040		M35 TRUNK LOCKING CLIP		1
MATERIALS LIST				
UNLESS OTHERWISE SPECIFIED		SIGNATURES		DATE
1) All dimensions are in metric (mm).		DRAWN: KMM		12-MAY-14
2) Tolerances are as follows:		CHECKED: MRF		12-MAY-14
1 PL DEC ±0.30 Fractions ±1/64		ENGINEER: KMM		
2 PL DEC ±0.15 Angles ±1°		APPROVAL: RFC		12-MAY-14
3 PL DEC ±0.08		CUSTOMER:		
3) Note reference =		MATERIAL SPECIFICATIONS:		
PROCESS SPECIFICATIONS:		THIS DRAWING IS SUPPLIED FOR INFORMATION ONLY. DESIGN FEATURES, SPECIFICATIONS AND PERFORMANCE DATA SHOWN HEREON ARE THE PROPERTY OF THE AMPHENOL CORPORATION. NO RIGHTS OF REPRODUCTION ARE IMPLIED. ALL DIMENSIONS ARE SUBJECT TO NORMAL MANUFACTURING VARIATIONS.		
NEXT ASSY:		SIZE	TYPE	DWG NO.
		C-	C-	P29040
		SCALE	FULL	C-P29040
		SHEET	1	OF 1
				REVISION
				A1

TITLE: M35 TRUNK LOCKING CLIP
DWG NO: C-P29040
REV: A1
SH: 1
OF: 1