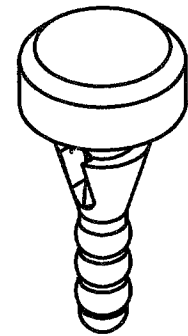
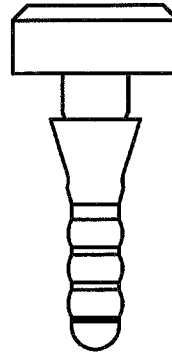
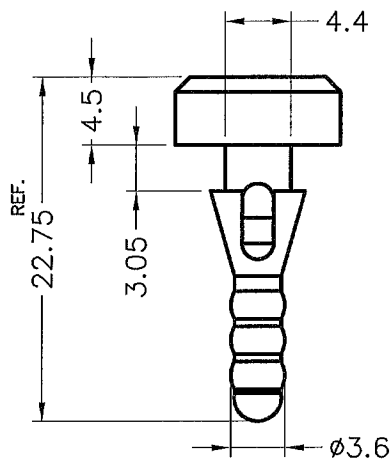
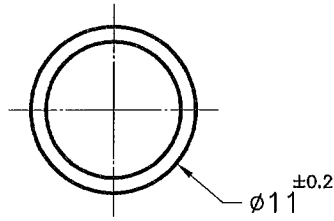



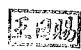
DIM	TOL
L≤10	±0.2
10<L≤30	±0.3
30<L≤50	±0.5
50<L≤100	±0.7
100<L≤250	±1.2
ABOVE 250	±1.5

REVISIONS			
REV	DESCRIPTION	DATE	BY



FANS MOUNTING HOLE $\phi 4.3$
THICKNESS 4

Note: All measurement does not include gate which raises under 1.2mm.

 <p>康揚企業股份有限公司 KANG YANG HARDWARE ENTERPRISE CO., LTD. 康揚塑膠(東莞)有限公司 KANG YANG PLASTIC(DONG GUAN) CO., LTD. 康哲電腦配件(吳江)有限公司 KANG CHE COMPUTER COMPONENTS(WUJIANG) CO., LTD.</p>				TITLE	FAN SNAP RIVET	SPEC. DWG.	
				MATERIAL	TPE or EQUIVALENT	DATE	2013.09.16
				HARDNESS		DRAWN	Emily
				COLOR	BLACK	CHECK	
PART NUMBER	DRAWING NUMBER		UNLESS OTHERWISE SPECIFIED TOLERANCE	APPROVED			
BUB-155G	BUB-155G		SEE ABOVE	Kang			
SIZE	SCALE	UNIT	REV				
A4	2:1	mm	A				