

4

3

2

1

THIS DRAWING IS UNPUBLISHED.

RELEASED FOR PUBLICATION

20

© COPYRIGHT 20

BY -

ALL RIGHTS RESERVED.

REVISIONS

P	LTR	DESCRIPTION	DATE	DWN	APVD
A1	ECR-15-004309		24MAR2015	GY	CW
B	ECR-15-013759		26SEP2015	DW	CW
B1	ECR-16-011988		27AUG2016	YC	CW
C	ECR-21-106515		12JUL2021	SQ	CW

NOTES:

1. TECHNICAL CHARACTERISTICS:

INSULATION MATERIAL: PC

RATED VOLTAGE: 500V

RATED CURRENT: 16A

INSULATION RESISTANCE: $\geq 400M\Omega$

RATED IMPULSE VOLTAGE: 6KV

POLLUTION DEGREE: 3

FLAMMABILITY: UL94V-0

MATING CYCLES: 500 CYCLES

WIRE RANGE: $0.5mm^2 \sim 2.5mm^2$ (AWG20-AWG14)

CONTACT TYPE: SCREW CLAMP (M3)

注释:

1. 技术参数:

绝缘材料: PC

额定电压: 500V

额定电流: 16A

绝缘电阻: $\geq 400M\Omega$

脉冲电压: 6KV

污染等级: 3

阻燃等级: UL94V-0

插拔次数: 500 次

接线范围: $0.5mm^2 \sim 2.5mm^2$ (AWG20-AWG14)


接线类型: 螺丝压接 (M3)

24X M3 SCREW, RECOMMENDED
TIGHTENING TORQUE 0.5Nm
24X M3螺丝, 推荐锁紧力矩0.5NmM4 SCREW, RECOMMENDED
TIGHTENING TORQUE 1.2Nm
M4螺丝, 推荐锁紧力矩1.2Nm

4X M3 SCREW, RECOMMENDED
TIGHTENING TORQUE 0.5Nm
4X M3螺丝, 推荐锁紧力矩0.5Nm

TYPE 1, T2040242201-000, WITH LOGO
类型 1, T2040242201-000, 带LOGO

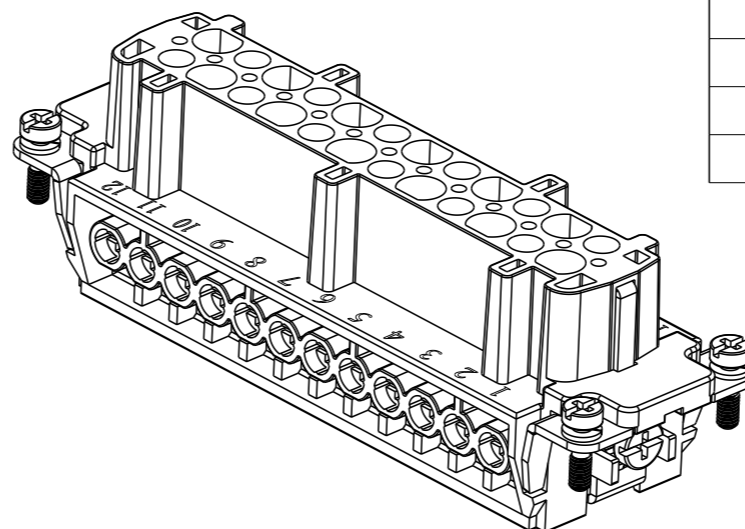
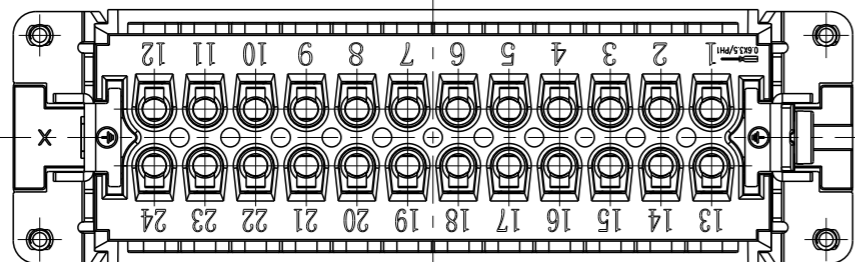
PANEL CUT FOR INSERTS FOR USE
WITHOUT HOODS/ HOUSINGS
不使用防护外壳时芯件的安装开孔图

THIS DRAWING IS A CONTROLLED DOCUMENT.		DWN	GINO YAO	15AUG2014	 TE Connectivity	NAME	HE-024-F			RESTRICTED TO	-									
DIMENSIONS:		CHK	CHRIS WANG	15AUG2014			PRODUCT SPEC	APPLICATION SPEC	SIZE		CAGE CODE	DRAWING NO	A300779	SCALE	SHEET	OF	REV	C		
mm		APVD	XIANG XU	15AUG2014					108-137044		114-137044	1:1							1	2
TOLERANCES UNLESS OTHERWISE SPECIFIED:		PRODUCT SPEC							WEIGHT		CUSTOMER DRAWING								1:1	1
0 PLC ±-																				
1 PLC ±-																				
2 PLC ±-																				
3 PLC ±-																				
4 PLC ±-																				
ANGLES ±-																				
FINISH																				
MATERIAL																				

1470-19 (3/13)

REVISIONS

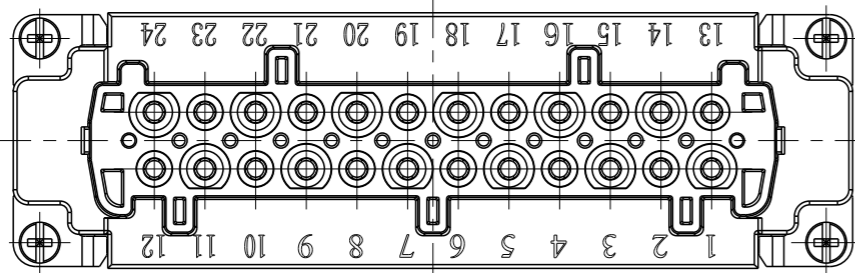
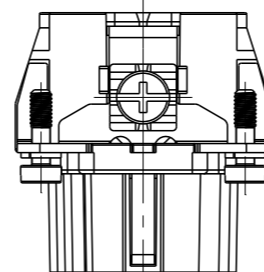
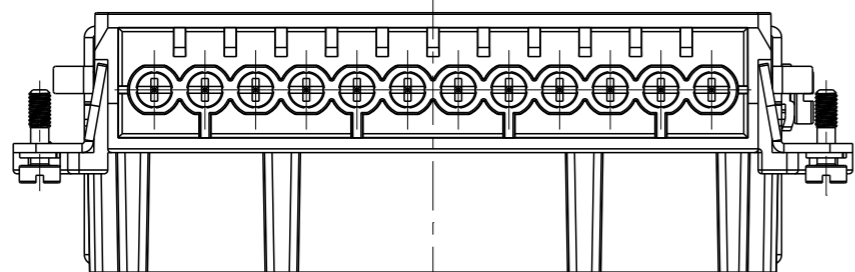
P	LTR	DESCRIPTION	DATE	DWN	APVD
		SEE SHEET 1			



NOTE:
ALL SPEC REFER TO TYPE 1

注释:
所有产品规范参照 TYPE 1

TYPE 2, T2040242201-001, WITHOUT LOGO
类型 2, T2040242201-001, 不带LOGO



T2040242201-000	HE-024-F	HE-024 FEMALE INSERT HE-024 母插	TYPE 1
T2040242201-001	HE-024-F	HE-024 FEMALE INSERT, WITHOUT LOGO HE-024 母插, 无LOGO	TYPE 2
PART NUMBER 料号	PART DESCRIPTION 描述		TYPE 类型

THIS DRAWING IS A CONTROLLED DOCUMENT.		DWN GINO YAO 15AUG2014		
DIMENSIONS: mm		CHK CHRIS WANG 15AUG2014		
TOLERANCES UNLESS OTHERWISE SPECIFIED:		APVD XIANG XU 15AUG2014		
0 PLC ±- 1 PLC ±- 2 PLC ±- 3 PLC ±- 4 PLC ±- ANGLES ±-		NAME HE-024-F		
MATERIAL -		FINISH -	PRODUCT SPEC 108-137044	SIZE A3
			APPLICATION SPEC 114-137044	CAGE CODE 00779
			WEIGHT -	DRAWING NO T2040242201000
			CUSTOMER DRAWING	RESTRICTED TO -
			SCALE 1:1	SHEET 2 OF 2
				REV C