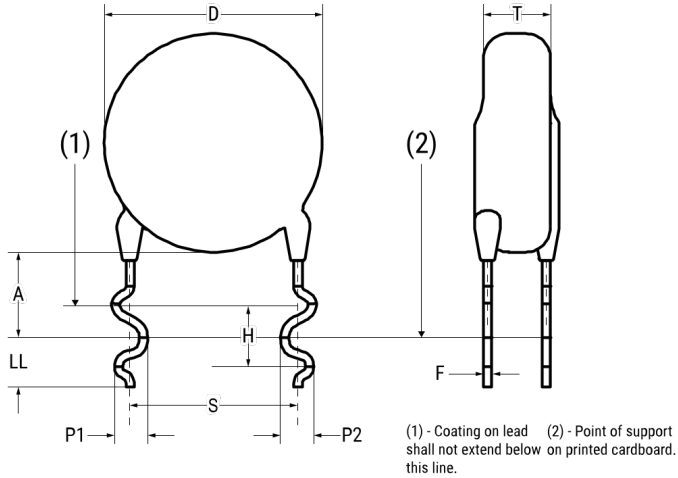


## ERK610Z331MQFO

Aliases (C811QF331M440XV758, ERK610RK3330MQFO)

Obsolete

ERK610 SFTY X1-440 Y2-300, Ceramic, 330 pF, 20%, 440 VAC (X1), 300 VAC (Y2), Y5T, Lead Spacing = 10mm



Click [here](#) for the 3D model.

### Dimensions

D	8mm MAX
H	3.3mm +/-0.3mm
T	6mm MAX
S	10mm NOM
LL	3.5mm MIN
F	0.8mm +/-0.05mm
A	6mm +/-1.5mm
V	1.9mm +/-0.5mm

### Packaging Specifications

Packaging Bulk, Bag

### General Information

Series	ERK610 SFTY X1-440 Y2-300
Style	Radial Disc
Description	Ceramic Single Layer Safety Disc Capacitors
RoHS	Yes
Termination	Tin
Qualifications	UL, CSA, CAN, ENEC, VDE
AEC-Q200	No

### Specifications

Capacitance	330 pF
Capacitance Tolerance	20%
Voltage AC	440 VAC (X1), 300 VAC (Y2)
Temperature Range	-40/+125°C
Temperature Coefficient	Y5T
Dissipation Factor	2.5%
Insulation Resistance	6 GOhms
Safety Class	X1/Y2