

**+ CORPORATE HEADQUARTERS**

707 Dayton Road  
PO Box 1040  
Ottawa, IL 61350  
USA

p: (800) 346-3119  
f: (815) 433-5109

**Product Change Notice**

August 20, 2018

Model	Description
BB-USO9ML2	USB to RS-232 Adapter, Isolated
BB-USO9ML2-LS	USB to RS-232 Adapter, Isolated, Locked SN

**+ EUROPEAN HEADQUARTERS**

Westlink Commercial Park  
Unit 10  
Oranmore, Co. Galway  
Ireland

p: + 353 91 792444  
f: + 353 91 792445

**+ CELLULAR PRODUCTS GROUP**

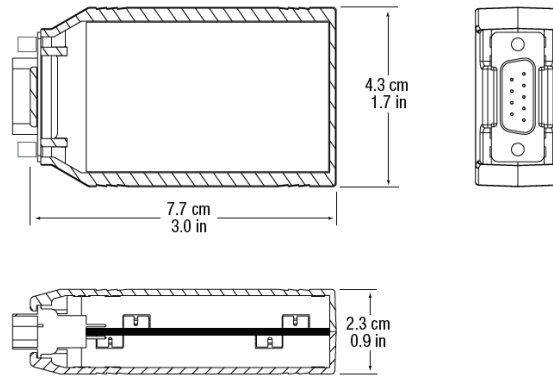
Sokolská 71  
562 04 Ústí nad Orlicí III.  
Czech Republic

p: +420 465 521 020  
f: +420 464 647 299

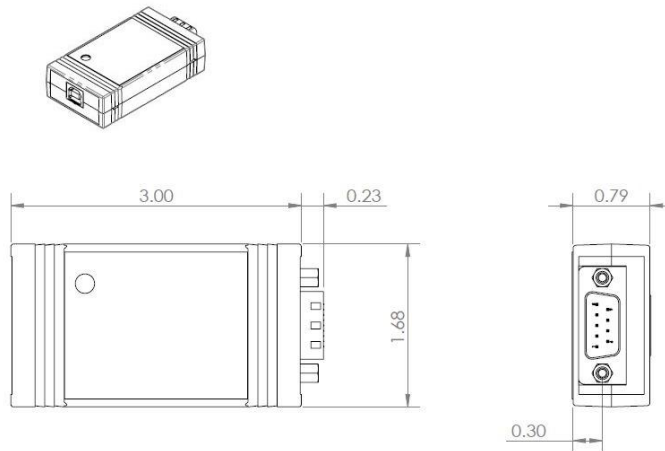
The products listed above will be changed as follows:

1. Modify the form factor to make is conform to other products in the family.

**OLD**



**NEW**



**+ CORPORATE  
HEADQUARTERS**

707 Dayton Road  
PO Box 1040  
Ottawa, IL 61350  
USA

p: (800) 346-3119  
f: (815) 433-5109

**+ EUROPEAN  
HEADQUARTERS**

Westlink Commercial Park  
Unit 10  
Oranmore, Co. Galway  
Ireland

p: + 353 91 792444  
f: + 353 91 792445

**+ CELLULAR  
PRODUCTS GROUP**

Sokolská 71  
562 04 Ústí nad Orlicí III.  
Czech Republic

p: +420 465 521 020  
f: +420 464 647 299

2. The USB Connector will be updated to our High Retention version.
3. The driver will be updated to use the standard FTDI Virtual COM Port (VCP) driver software, eliminating the need for a specific B+B version of this same VCP driver software. This will streamline the user experience by allowing Windows to find and install the driver software without the need for an installation CD. The nature of this change makes the old driver software incompatible with products produced after the effective date of this change. There are no other changes to the product functionality.
4. Remove the installation CD from the product package. The VCP Driver Software will continue to be available for manual download on our support web pages.
5. Update the product documentation.
6. Due to our internal IT business system needs, our internal part numbers will change.

Model Number	Old B+B Part Number	New B+B Part Number
USO9ML2	BB-USO9ML2	BB-USO9ML2-A
USO9ML2-LS	BB-USO9ML2-LS	BB-USO9ML2-LS-A

**Product Migration Path:**

This change is effective October 1, 2018.

Best Regards,

Brian Foster | Product Manager