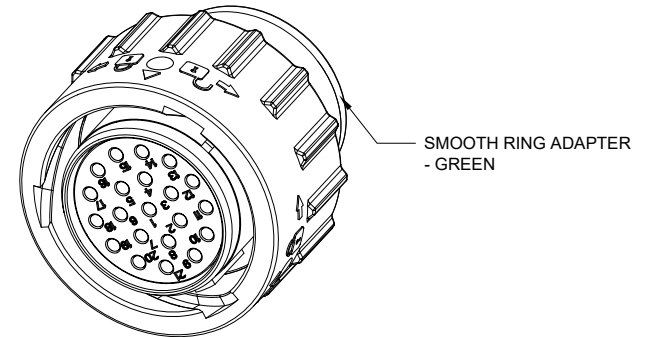
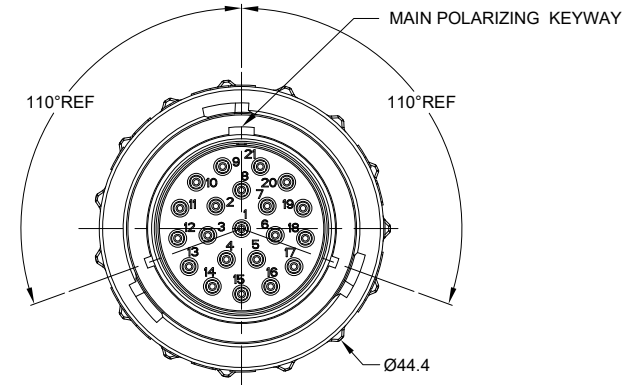
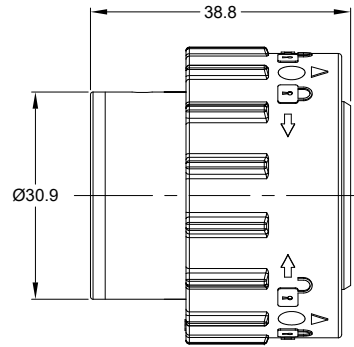
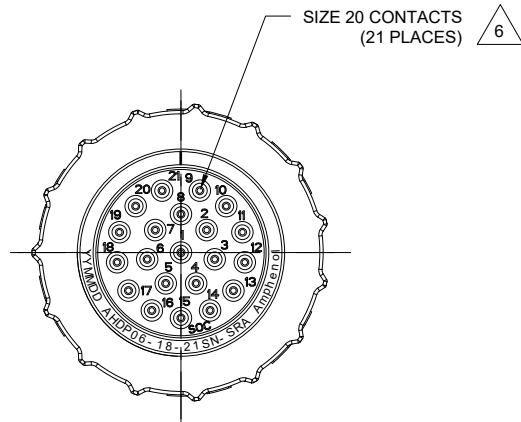


| REVISIONS | | | | | |
|-----------|-----|---------------------|-----------|-----|-------|
| REV | ECO | DESCRIPTION | DATE | BY | APPR |
| A1 | -- | RELEASE NEW DRAWING | 19/AUG/20 | IAN | TOMMY |



NOTES: UNLESS OTHERWISE SPECIFIED

- MATERIAL:
HOUSING: THERMOPLASTIC; BLACK
SEAL: SILICONE RUBBER
- MODIFICATIONS: SMOOTH RING ADAPTER;
STANDARD DIA. WIRE SEAL;
- SPECIFICATIONS:
3.1 OPERATING TEMPERATURE: -55°C TO +125°C.
3.2 DIELECTRIC WITHSTANDING VOLTAGE: LESS THAN 2 MILLIAMPS CURRENT LEAKAGE @ 1500 VOLTS AC.
3.3 INSULATION RESISTANCE: 1000 MEGOHM MIN @ 25°C.
3.4 MOISTURE RESISTANCE: IP67&IP69K (MATED CONDITION).
3.5 MATING CYCLE DURABILITY: 100 CYCLES
3.6 RoHS COMPLIANT
- MATING PART: AHDP04-18-21P* (* = SEAL TYPE)
- ALL DIMENSIONS ARE FOR REFERENCE USE ONLY.

△ CONTACT SIZE AND WIRE RANGE:

| CONTACT SIZE | MIN. INSUL O.D. | MAX. INSUL O.D. | TYPICAL WIRE RANGE | CURRENT RATING |
|--------------|-------------------|-------------------|-------------------------------------|----------------|
| 20 | 1.02 mm (.040 in) | 2.41 mm (.095 in) | 16-22 AWG (1.5-0.5mm ²) | 7.5 AMPS |

| AHDP06-18-21SN-SRA | | REF:HDP26-18-21SN | | |
|--|-------------------|--|---|---|
| PART NUMBER | | DESCRIPTION | | |
| QUANTITY | MATERIALS LIST | | | ITEM |
| UNLESS OTHERWISE SPECIFIED: 1) All dimensions are in metric (mm). 2) Tolerances are as follows: 1 PL DEC ±0.30 2 PL DEC ±0.15 3 PL DEC ±0.08 Fractions ±1/64 Angles ±1° | | SIGNATURES | DATE | <p>Sine Systems - www.amphenol-sine.com 44724 Morley Drive Clinton Township, MI 48036</p> |
| DRAWN: IAN XIAO | | 19/AUG/20 | | |
| CHECKED: ORION LI | | 20/AUG/20 | | |
| APPROVAL: TOMMY XIE | | 21/AUG/20 | | |
| MATERIAL SPECIFICATIONS: | | CUSTOMER: | PLUG, 18 SZ, 21 SOCKET, STD ARRANGEMENT, NORMAL SEAL, SRA, DURAMATE AHDP SERIES | |
| PROCESS SPECIFICATIONS: | | THIS DRAWING IS SUPPLIED FOR INFORMATION ONLY. DESIGN FEATURES, SPECIFICATIONS AND PERFORMANCE DATA SHOWN HEREON ARE THE PROPERTY OF THE AMPHENOL CORPORATION. NO RIGHTS OF REPRODUCTION ARE IMPLIED. ALL DIMENSIONS ARE SUBJECT TO NORMAL MANUFACTURING VARIATIONS. | | |
| NEXT ASSY: | SIZE: B C- | TYPE: AHDP06-18-21SN-SRA | DWG NO: A1 | REVISION: A1 |
| | SCALE: NONE | SHEET 1 OF 1 | | |

TITLE: PLUG, 18 SZ, 21 SOCKET, STD ARRANGEMENT, NORMAL SEAL, DURAMATE AHDP SERIES
DWG NO: AHDP06-18-21SN-SRA
REV: A1
SH: 1
OF: 1