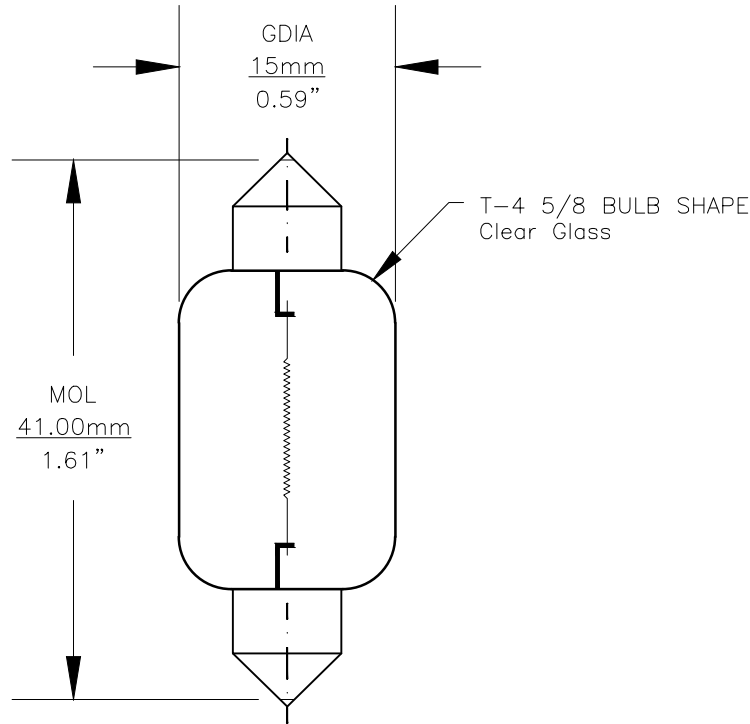


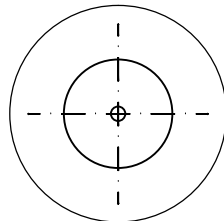


| PART NO. | BASE TYPE             | DESIGN VOLTS | DESIGN AMPS | MSCD | FILAMENT TYPE | AVERAGE LIFE HOURS |
|----------|-----------------------|--------------|-------------|------|---------------|--------------------|
| 6451     | FESTOON CAP (SV8.5-8) | 12.0V        | 1.25        | 17.5 | C-8           | 75                 |

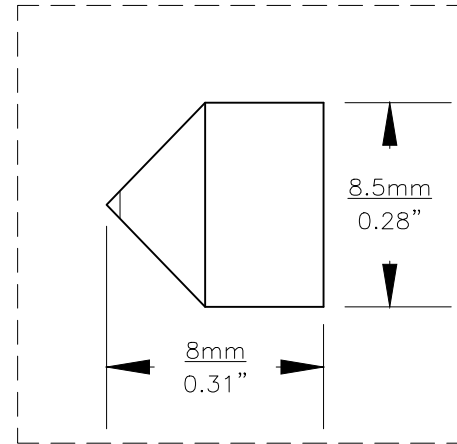
| REVISIONS |                                |            |          |
|-----------|--------------------------------|------------|----------|
| REV #     | DESCRIPTION                    | DATE       | APPROVED |
| 1         | ISSUED                         | 07/11/2001 | E.S.     |
| 2         | UPDATED ADDRESS                | 10/25/2007 | D.C.     |
| 3         | UPDATED THE GLASS SHAPE        | 12/13/2007 | S.L.     |
| 4         | ADDED BASE VIEW AND DIMENSIONS | 04/04/2016 | R.M.     |



0° VIEW



BASE BOTTOM VIEW



BASE DIMENSIONS



Note: Made according to SAE specifications

|   |                    |                              |                      |                        |          |
|---|--------------------|------------------------------|----------------------|------------------------|----------|
| UNLESS OTHERWISE SPECIFIED:<br>DIMENSIONS ARE IN INCHES<br>TOLERANCES |                    | CEC INDUSTRIES LTD           |                      |                        |          |
| DECIMALS  | ANGULAR            | 599 BOND STREET              |                      | LINCOLNSHIRE, IL 60069 |          |
| .XX ± .05   | ± 0.5°             |                              |                      |                        |          |
| .XXX ± .010   |                    |                              |                      |                        |          |
| FRACTIONAL  | ± 1/64             |                              |                      |                        |          |
| DRAWN<br>ELIZABETH SONANES  | DATE<br>07/11/2001 | TITLE<br>LIGHT BULB NO. 6451 |                      |                        |          |
| CHECKED   |                    | SIZE<br>A                    | FSCM NO.             | DWG NO.<br>6451        | REV<br>4 |
| DESIGN  |                    | SCALE                        | PLOT SCALE           | SHEET 1 OF 1           |          |
| MATERIAL  |                    | FILE<br>6451.pdf             | DRAWING NOT TO SCALE |                        |          |