

4

3

2

1

THIS DRAWING IS UNPUBLISHED.

RELEASED FOR PUBLICATION

© COPYRIGHT

ALL RIGHTS RESERVED.

LOC DIST


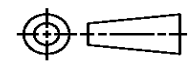
REVISIONS

P	LTR	DESCRIPTION	DATE	DWN	APVD

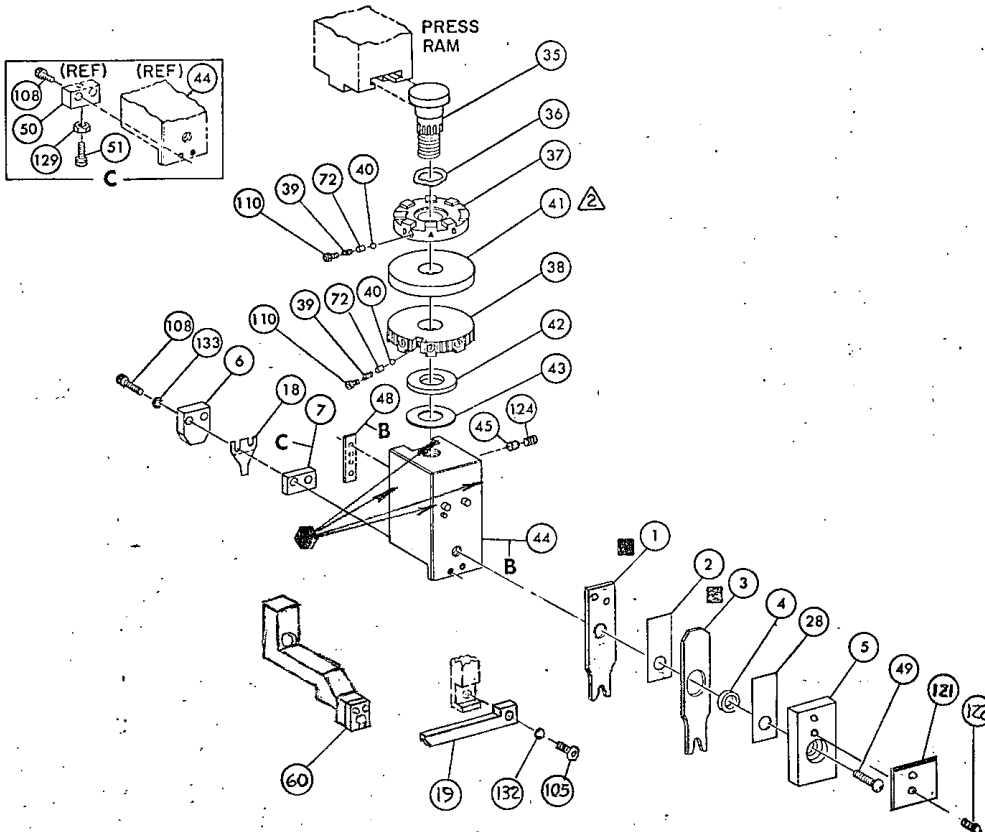
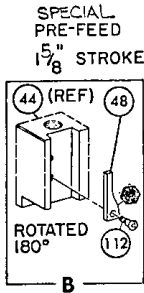
REPLACED BY OCEAN STYLE APPLICATOR PART NUMBER

FOR REPLACEMENT PARTS FOR APPLICATOR REFER TO ADDITIONAL PAGE(S). SPARE PARTS KIT (IF LISTED) WILL REMAIN AVAILABLE.

THE REPLACEMENT OCEAN STYLE APPLICATOR HAS THE SAME TERMINATOR/PRESS INTERFACE AS APPLICATOR

THIS DRAWING IS A CONTROLLED DOCUMENT.		DWN	 TE Connectivity		
DIMENSIONS:		CHK			
TOLERANCES UNLESS OTHERWISE SPECIFIED:		APVD	NAME		
		PRODUCT SPEC	RESTRICTED TO		
		APPLICATION SPEC	SIZE	CAGE CODE	DRAWING NO
MATERIAL	FINISH	WEIGHT	A3	C-	
		SCALE	SHEET	OF	REV

THIS DRAWING IS A CONTROLLED DOCUMENT FOR AMP INC. IT IS SUBJECT TO CHANGE AND THE CONTROLLING ENGINEERING ORGANIZATION SHOULD BE CONTACTED FOR THE LATEST REVISION.

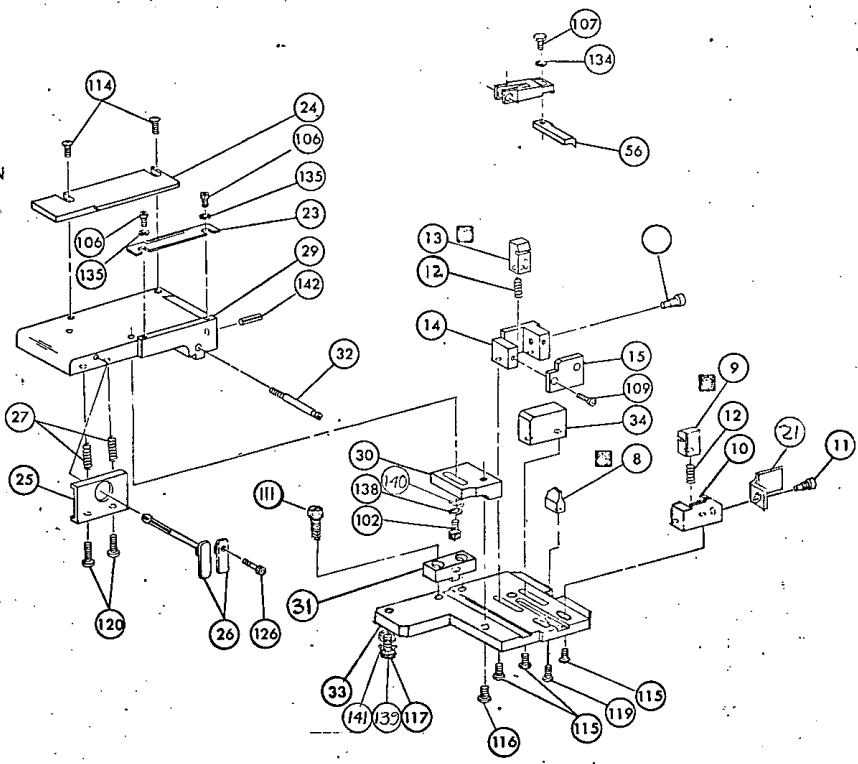


NOTES:

- 1- ONLY THE ITEMS WITH QUANTITIES SPECIFIED ON PARTS LIST ARE USED ON THIS APPLICATOR.
- △ USED IN PLACE OF ITEM 38 WHEN INSULATION CRIMP IS NOT USED.
- 3- FEED PIVOT - BOTTOM HOLE
- △ SEE REMARKS

KEY:

- RECOMMENDED SPARE PARTS
- GREASE WEEKLY



QTY	PART NO	DESCRIPTION	ITEM NO
1	4-21028-0	PIN, SLOT SPR (.093 DIA X .75) STR G PLATE	142
1	21899-2	WASHER, FLAT (NO 1) MOUNTING	141
1	21899-2	WASHER, FLAT (NO 1) S. G. ADJ BLOCK	140
1	21024-5	WASHER, LOCK (NO 10) MOUNTING	139
1	21024-5	WASHER, LOCK (NO 10) STRIP GUIDE ADJ BLOCK	138
2	21057-2	WASHER, LOCK (NO 4) FRONT STRIP GUIDE	137
REF	21024-4	WASHER, LOCK (NO 8) FEED FINGER	136
2	21024-4	WASHER, LOCK (NO 8) DEPRESSOR	135
REF	21024-4	WASHER, LOCK (NO 8) STRIPPER	134
1	21068-5	NUT, HEX MACH (6-32) HOLDDOWN	133
1	21068-5	NUT, HEX MACH (6-32) HOLDDOWN	132
1	21068-5	NUT, HEX MACH (6-32) HOLDDOWN	131
1	21068-5	NUT, HEX MACH (6-32) HOLDDOWN	130
1	21068-5	NUT, HEX MACH (6-32) HOLDDOWN	129
1	21068-5	NUT, HEX MACH (6-32) HOLDDOWN	128
1	21068-5	NUT, HEX MACH (6-32) HOLDDOWN	127
1	22353-8	SCR, SHLD. (187 DIA X .250 LG) DRAG LEVER	126
1	21009-2	SCR, SKT SET (1/4-20 X .25) (LOC-WEL) RAM	125
2	21017-2	SCR, DRIVE (# 2 X .188 LG)	124
1	819347-1	PLATE, I.D.	123
2	2-21002-9	SCR, BUT HD SKT CAP (10-32 X .75) DRAG	122
1	22733-8	SCR, BUT HD SKT CAP (8-32 X .38) (LOC-WEL) ANVIL	121
1	3-21000-8	SCR, SOC HD SKT CAP (10-32 X .88) MOUNTING	120
1	2-22733-1	SCR, BUT HD SKT CAP (10-32 X .50) SG ADJ BLOCK	119
4	22733-9	SCR, BUT HD SKT CAP (8-32 X .50) SHEAR	118
2	2-21002-2	SCR, BUT HD SKT CAP (8-32 X .38) R STRIP GUIDE	117
1	1-21002-7	SCR, BUT HD SKT CAP (6-32 X .50) CAM	116
2	2-21000-7	SCR, SKT HD CAP (8-32 X .50) SCR. BLOCK	115
2	23030-1	SCR, SKT HD CAP (6-32 X .25) (LOC-WEL) CP DISC	114
2	2-21000-7	SCR, SKT HD CAP (6-32 X .25) REAR SHEAR PLATE	113
REF	2-21002-1	SCR, BUT HD MACH (8-32 X .38) FEED FINGER	112
2	1-21000-3	SCR, SKT HD CAP (4-40 X .25) F STRIP GUIDE	111
REF	2-21002-1	SCR, BUT HD CAP (8-32 X .38) STRIPPER	110
1	3-22603-1	SCR, HEX HD CAP (10-32 X .38) SG ADJ BLOCK	109
2	463310-6	BLADE, STRIPPING #22	108
2	690603-1	SPRING, ASSIST	107
1	5-22280-0	SPRING, SHEAR	106
1	690461-2	STOP, SHEAR	105
1	462548-1	HOLDER, SHEAR (FRONT) SPECIAL	104
1	462547-1	SHEAR, FLOAT (FRONT) SPECIAL	103
1	1-690514-5	ANVIL	102
1	462838-1	SPACER, DEPRESSOR (REAR)	101
1	2-238011-0	DEPRESSOR, SHEAR (FRONT) SPECIAL	100
1	7-456135-7	SPACER, TUBULAR, INS CRIMPER	99
1	455888-4	CRIMPER, INSULATION	98
1	455888-4	SPACER, CRIMPER	97
1	3-456402-5	CRIMPER, WIRE	96
1	462615-1	STRIPPER	95
1	462615-1	HOLDER, TERMINAL	94
1	462615-1	PLATE, SHEAR (REAR)	93
1	462615-1	HOLDER, SHEAR (REAR)	92
1	462615-1	SHEAR, FLOAT (REAR)	91
1	462615-1	SPRING, SHEAR	90
1	462615-1	STOP, SHEAR	89
1	462615-1	HOLDER, SHEAR (FRONT) SPECIAL	88
1	462615-1	SHEAR, FLOAT (FRONT) SPECIAL	87
1	462615-1	ANVIL	86
1	462615-1	SPACER, DEPRESSOR (REAR)	85
1	462615-1	DEPRESSOR, SHEAR (FRONT) SPECIAL	84
1	462615-1	SPACER, TUBULAR, INS CRIMPER	83
1	462615-1	CRIMPER, INSULATION	82
1	462615-1	SPACER, CRIMPER	81
1	462615-1	CRIMPER, WIRE	80
1	462615-1	STRIPPER	79
1	462615-1	HOLDER, TERMINAL	78
1	462615-1	PLATE, SHEAR (REAR)	77
1	462615-1	HOLDER, SHEAR (REAR)	76
1	462615-1	SHEAR, FLOAT (REAR)	75
1	462615-1	SPRING, SHEAR	74
1	462615-1	STOP, SHEAR	73
1	462615-1	HOLDER, SHEAR (FRONT) SPECIAL	72
1	462615-1	SHEAR, FLOAT (FRONT) SPECIAL	71
1	462615-1	ANVIL	70
1	462615-1	SPACER, DEPRESSOR (REAR)	69
1	462615-1	DEPRESSOR, SHEAR (FRONT) SPECIAL	68
1	462615-1	SPACER, TUBULAR, INS CRIMPER	67
1	462615-1	CRIMPER, INSULATION	66
1	462615-1	SPACER, CRIMPER	65
1	462615-1	CRIMPER, WIRE	64
1	462615-1	STRIPPER	63
1	462615-1	HOLDER, TERMINAL	62
1	462615-1	PLATE, SHEAR (REAR)	61
1	462615-1	HOLDER, SHEAR (REAR)	60
1	462615-1	SHEAR, FLOAT (REAR)	59
1	462615-1	SPRING, SHEAR	58
1	462615-1	STOP, SHEAR	57
1	462615-1	HOLDER, SHEAR (FRONT) SPECIAL	56
1	462615-1	SHEAR, FLOAT (FRONT) SPECIAL	55
1	462615-1	ANVIL	54
1	462615-1	SPACER, DEPRESSOR (REAR)	53
1	462615-1	DEPRESSOR, SHEAR (FRONT) SPECIAL	52
1	462615-1	SPACER, TUBULAR, INS CRIMPER	51
1	462615-1	CRIMPER, INSULATION	50
1	462615-1	SPACER, CRIMPER	49
1	462615-1	CRIMPER, WIRE	48
1	462615-1	STRIPPER	47
1	462615-1	HOLDER, TERMINAL	46
1	462615-1	PLATE, SHEAR (REAR)	45
1	462615-1	HOLDER, SHEAR (REAR)	44
1	462615-1	SHEAR, FLOAT (REAR)	43
1	462615-1	SPRING, SHEAR	42
1	462615-1	STOP, SHEAR	41
1	462615-1	HOLDER, SHEAR (FRONT) SPECIAL	40
1	462615-1	SHEAR, FLOAT (FRONT) SPECIAL	39
1	462615-1	ANVIL	38
1	462615-1	SPACER, DEPRESSOR (REAR)	37
1	462615-1	DEPRESSOR, SHEAR (FRONT) SPECIAL	36
1	462615-1	SPACER, TUBULAR, INS CRIMPER	35
1	462615-1	CRIMPER, INSULATION	34
1	462615-1	SPACER, CRIMPER	33
1	462615-1	CRIMPER, WIRE	32
1	462615-1	STRIPPER	31
1	462615-1	HOLDER, TERMINAL	30
1	462615-1	PLATE, SHEAR (REAR)	29
1	462615-1	HOLDER, SHEAR (REAR)	28
1	462615-1	SHEAR, FLOAT (REAR)	27
1	462615-1	SPRING, SHEAR	26
1	462615-1	STOP, SHEAR	25
1	462615-1	HOLDER, SHEAR (FRONT) SPECIAL	24
1	462615-1	SHEAR, FLOAT (FRONT) SPECIAL	23
1	462615-1	ANVIL	22
1	462615-1	SPACER, DEPRESSOR (REAR)	21
1	462615-1	DEPRESSOR, SHEAR (FRONT) SPECIAL	20
1	462615-1	SPACER, TUBULAR, INS CRIMPER	19
1	462615-1	CRIMPER, INSULATION	18
1	462615-1	SPACER, CRIMPER	17
1	462615-1	CRIMPER, WIRE	16
1	462615-1	STRIPPER	15
1	462615-1	HOLDER, TERMINAL	14
1	462615-1	PLATE, SHEAR (REAR)	13
1	462615-1	HOLDER, SHEAR (REAR)	12
1	462615-1	SHEAR, FLOAT (REAR)	11
1	462615-1	SPRING, SHEAR	10
1	462615-1	STOP, SHEAR	9
1	462615-1	HOLDER, SHEAR (FRONT) SPECIAL	8
1	462615-1	SHEAR, FLOAT (FRONT) SPECIAL	7
1	462615-1	ANVIL	6
1	462615-1	SPACER, DEPRESSOR (REAR)	5
1	462615-1	DEPRESSOR, SHEAR (FRONT) SPECIAL	4
1	462615-1	SPACER, TUBULAR, INS CRIMPER	3
1	462615-1	CRIMPER, INSULATION	2
1	462615-1	SPACER, CRIMPER	1
1	462615-1	CRIMPER, WIRE	1

CRIMPING DATA				APPLICATOR WILL APPLY		
VISIBLE	PAD LTR	CRIMP HEIGHT	WIRE SIZE	WIRE STRIP LENGTH	PIN	SOCKET
A	NOT	USED			203816	203802
B	NOT	USED				
C	.034	20				
D	.028	22-24				

CRIMP	SIZE	TYPE	FEED	APPL INST
WIRE	.055	F		A1
INSUL	.070	0	.300	

WIRE RANGE	INSULATION RANGE	PRESS NO
24-22	.062 MAX	463345-1

REMARKS:
A WIRE SIZE #20 ONLY WHEN APPROVED BY APPL. ENG

APPL USED ON MACHINE PART NO	MACH SERIAL NO	DISTRIBUTION
CUSTOMER NAME	APPL SERIAL NO	ORIGINAL
ADDRESS	PURCHASE ORDER	CUSTOMER COPY
CITY	ENG APP	FIELD ENG COPY

THIS INFORMATION IS CONFIDENTIAL AND IS DISCLOSED TO YOU ON CONDITION THAT YOU WILL NOT REPRODUCE OR DISSEMINATE IT WITHOUT WRITTEN AUTHORIZATION FROM AMP INCORPORATED, HARRISBURG, PA.

466904