

**NOTES:**

1. METALSHELLS: STEEL; min. 315µin TIN over 40-80µin NICKEL
2. INSULATORS: PBT GF UL 94 V-0; BLACK
3. CONTACTS: COPPER ALLOY  
PLATING: GOLD FLASH over NICKEL
4. PLASTIC BRACKETS: PBT GF UL 94 V-0; BLACK
5. THREADED LOCKS: COPPER ALLOY; min. 200µin TIN over 80µin NICKEL
6. FIXING-PLATE: PBT GF UL 94 V-0; BLACK
7. MAXIMUM TORQUE VALUE FOR THREAD: 6 in.LB
8. CONNECTOR IS PART MARKED: **163A19149X CONEC ABC**

Directive 2002/95/EC RoHS compliant

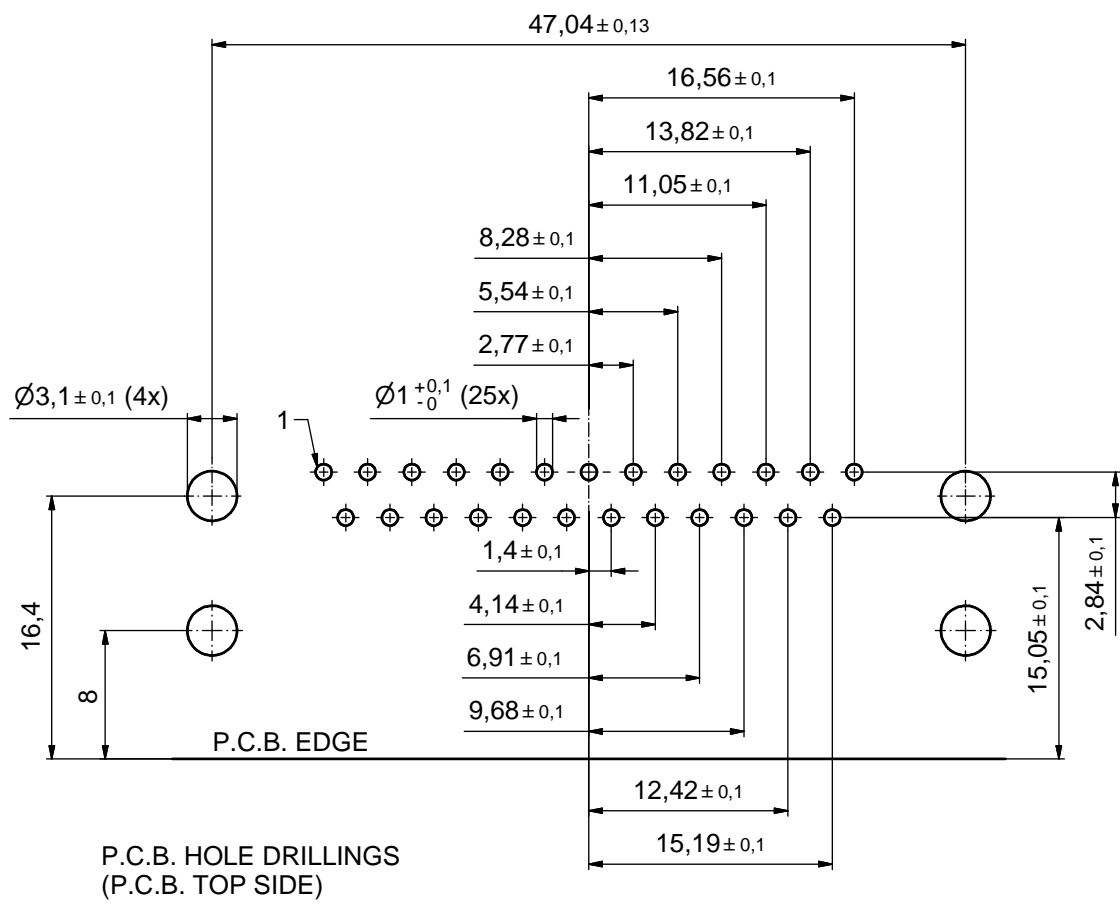
THIS DRAWING MAY NOT BE COPIED OR REPRODUCED IN ANY WAY, AND MAY NOT BE PASSED ON TO A THIRD PARTY WITHOUT WRITTEN PERMISSION. OWNERSHIP AND COPYRIGHT OF CONEC GmbH

DO NOT ALTER CAD DRAWING BY HAND

tolerance	dim. in mm	
date	name	
drawn	02.12.10	Schmidt
appd.	08.12.10	Fischer
norm		
d-old		
a	Origin	
rev.	description	date name



scale:	2:1 (5:1)	
material:	see notes	
title:	D-SUB MALE 90° 25pos. SOLDER PIN ANGLED 0.590inch threaded lock, plastic bracket fixing plate	
dwg no:	16K1A2738	DIN-A3 sh: 1
part no:	163A19149X	



THIS DRAWING MAY NOT BE COPIED OR REPRODUCED IN ANY WAY, AND MAY NOT BE PASSED ON TO A THIRD PARTY WITHOUT WRITTEN PERMISSION. OWNERSHIP AND COPYRIGHT OF CONEC GmbH DO NOT ALTER CAD DRAWING BY HAND				tolerance		 dim. in mm	scale: 3:1		
							material: see sheet 1		
				date	name		title: <b>P.C.B. HOLE DRILLINGS</b> 25pos. SOLDER PIN ANGLED 0.590inch threaded lock, plastic bracket, fixing plate		
				drawn	02.12.10	Schmidt			
				appd.	08.12.10	Fischer			
				norm				dwg no:	
			d-old				16K1A2738 DIN-A3 sh: 2		
			rev.	description	date	name	 part no: see sheet 1		