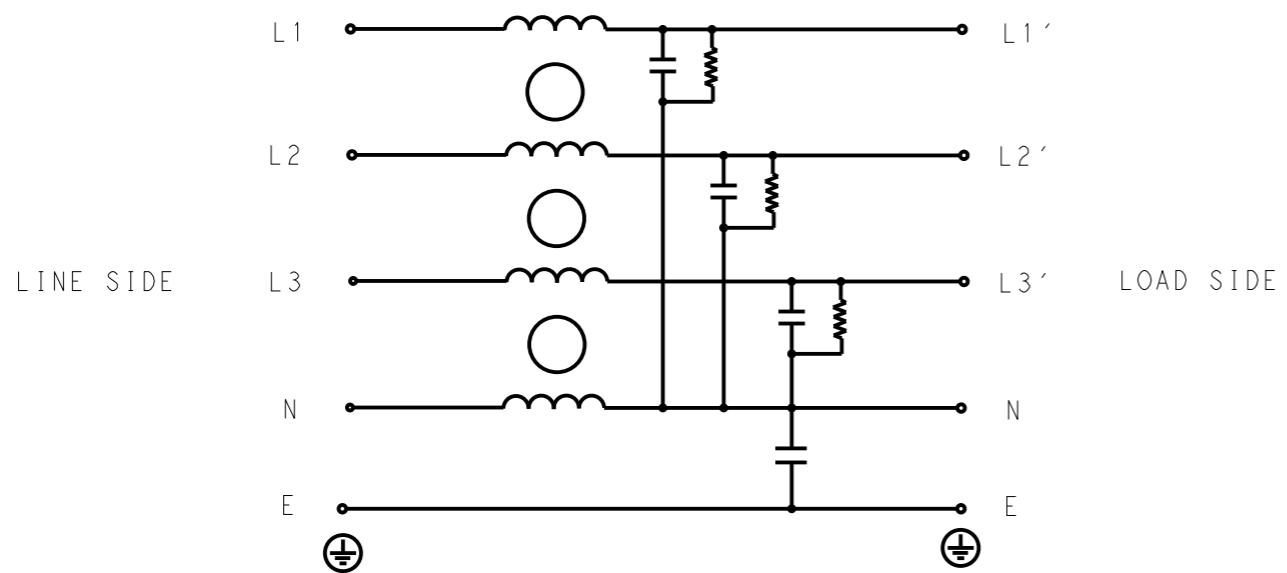


P	LTR	DESCRIPTION	DATE	DWN	APVD
	A	INITIAL RELEASE	14APR2021	SR	CB



SCHEMATIC

SAFETY ORGANIZATIONS  
 THIS FILTER WILL BE FORMALLY RECOGNIZED, CERTIFIED OR APPROVED BY THE LISTED AGENCY. THEREFORE, ALL TEST/REQUIREMENTS SPECIFIED IN THE LATEST REVISION OF THE FOLLOWING AGENCY STANDARDS WILL BE MET:

UL APPROVED 15A 520V 50Hz/60Hz 40°C  
 CSA PENDING 15A 520V 50Hz/60Hz 40°C

OPERATING SPECIFICATION  
 LINE CURRENT/VOLTAGE: 15A, 520VAC  
 LINE FREQUENCY: 50/60Hz

MAXIMUM LEAKAGE CURRENT: 3mA @ 230VAC, 50Hz  
 OPERATING AMBIENT TEMPERATURE RANGE @ RATED CURRENT: -25°C TO +40°C  
 IN AN AMBIENT, T<sub>a</sub>, HIGHER THAN 40°C, THE MAXIMUM OPERATING CURRENT, I<sub>o</sub>, IS AS FOLLOWS:

$$I_o = I_r \sqrt{\frac{85 - T_a}{45}}$$

TYPICAL INSERTION LOSS  
 COMMON MODE 50/50Ω; DIFFERENTIAL MODE 50/50Ω

MHz	0.01	0.05	0.15	0.5	1	3	5	10	30
CM	4	4	9	20	38	36	46	30	23
DM	6	8	12	16	30	33	40	38	47

RELIABILITY SPECIFICATIONS  
 STORAGE TEMPERATURE: -40°C TO +85°C  
 HUMIDITY: 21 DAYS @ 40°C AND 95% RH

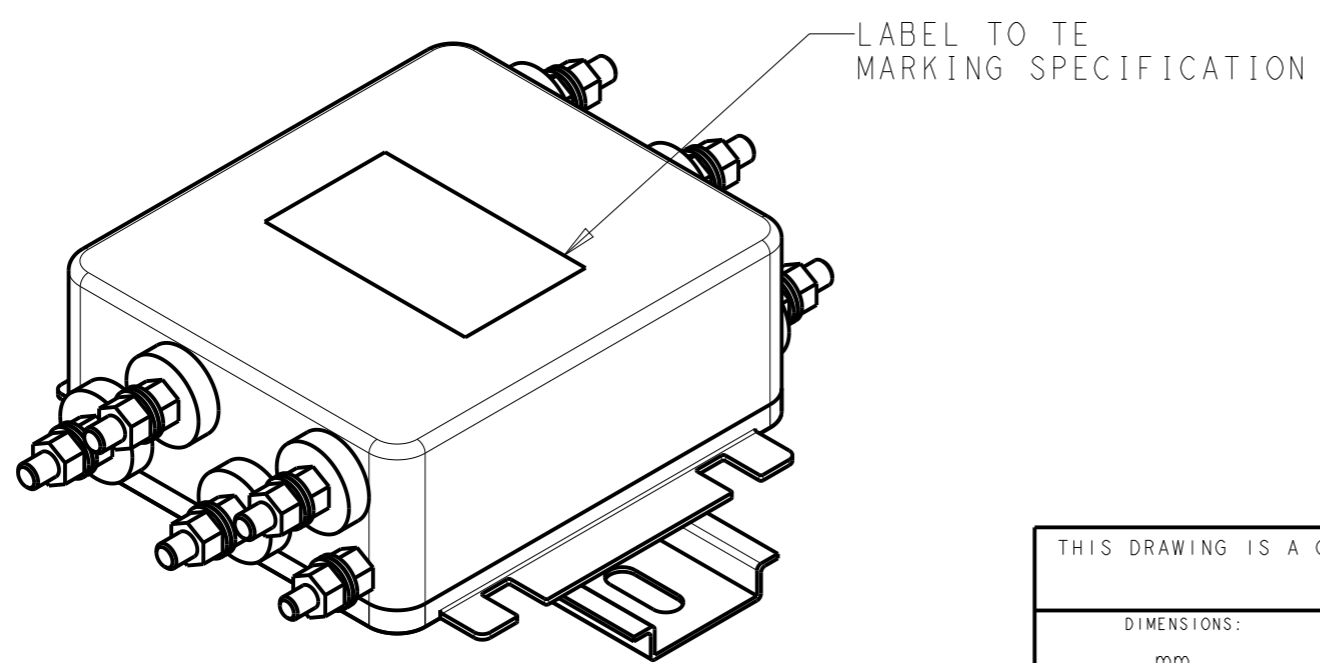
TEST SPECIFICATIONS  
 INDUCTANCE, NOMINAL: 0.3mH

CAPACITANCE @ 1kHz  
 LINE TO GROUND, NOMINAL: 22nF  
 LINE TO NEUTRAL, NOMINAL: 100nF

DISCHARGE RESISTOR  
 L/G I.R. 2MΩ 1W  
 L/L I.R. 2MΩ 1W  
 L/N I.R. 1MΩ 1W  
 N/G I.R. 680KΩ 1W  
 IR (NO DISCHARGE RESISTOR) 20°C, 50% RH AND 100VDC, MIN: 6MΩ

RECOMMENDED RECEIVING INSPECITON HIPOT  
 LINE TO GROUND FOR 1 MINUTE: 2856VDC  
 LINE TO LINE FOR 1 MINUTE: 2236VDC  
 LINE TO NEUTRAL FOR 1 MINUTE: 1290VDC

FILTER APPROVAL  
 THE BEST WAY TO SELECT AND QUALIFY A FILTER IS FOR YOUR ENGINEERING TO TEST THE UNIT IN YOUR EQUIPMENT.



THIS DRAWING IS A CONTROLLED DOCUMENT.		DWN SUPREETH R 14APR2021		
		CHK CHRIS BOLLE 14APR2021		
		APVD CHRIS BOLLE 14APR2021		
		PRODUCT SPEC		
DIMENSIONS: mm		TOLERANCES UNLESS OTHERWISE SPECIFIED:		NAME POWER LINE FILTER FOR DIN RAIL 35 INSTALLATION 15KES6BFPWDM
		0 PLC ±-	1 PLC ±0.5	SIZE A3
		2 PLC ±0.40	3 PLC ±0.130	CAGE CODE 00779
		4 PLC ±0.0500	ANGLES ±-	DRAWING NO C-6-1609966-7
MATERIAL -		FINISH -		RESTRICTED TO -
				WEIGHT -
		CUSTOMER DRAWING		SCALE 3:4
				SHEET 1 OF 2
				REV A

© 2021 TE Connectivity. All Rights Reserved.

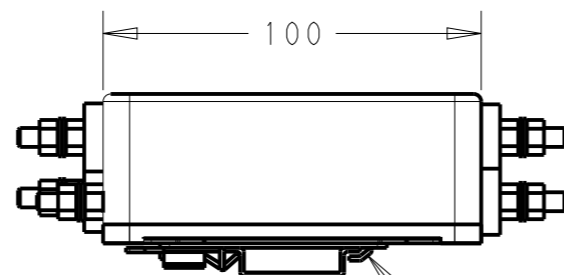
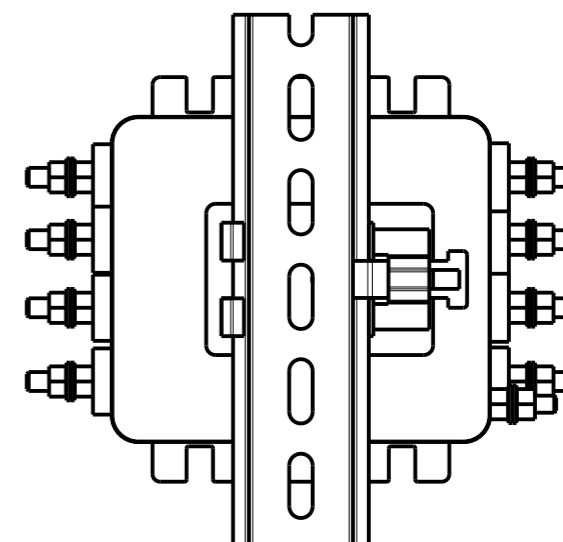
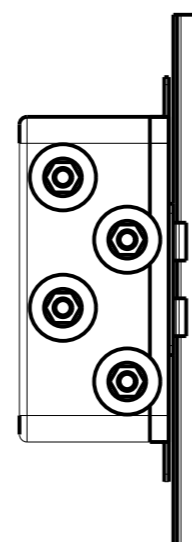
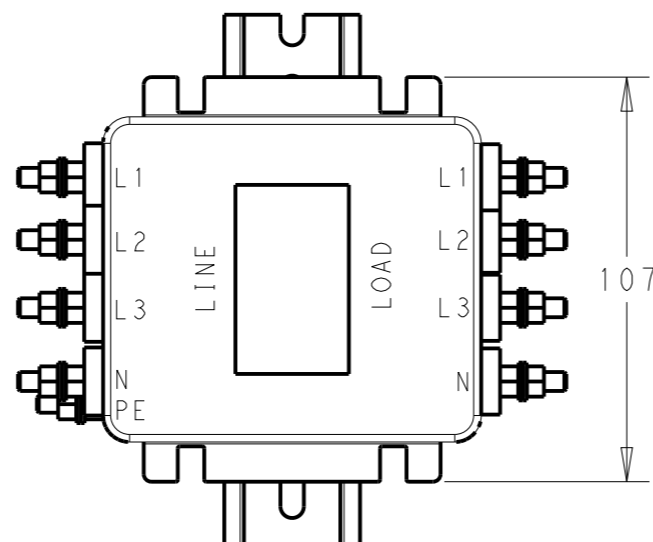
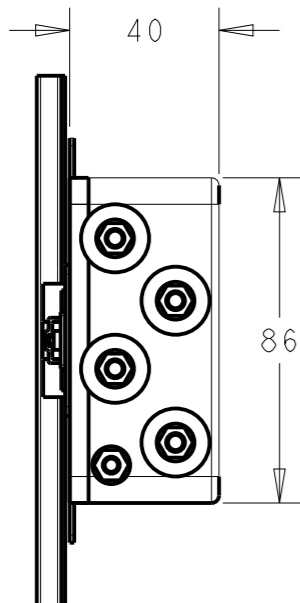
NOTE 1 GROUND CONNECTION:  
FOR ELECTRICAL SAFETY AND FILTER PERFORMANCE  
UNIT MUST HAVE A GOOD GROUND CONNECTION.  
TORQUE OUTER TERMINAL /GROUND NUTS: 2Nm

NOTE 2 INPUT OUTPUT CONNECTION TERMINAL  
AWG SIZE: XXX  
THREADED BOLT SIZE FOR TERMINAL: M5  
THREADED BOLT SIZE FOR GROUND: M5

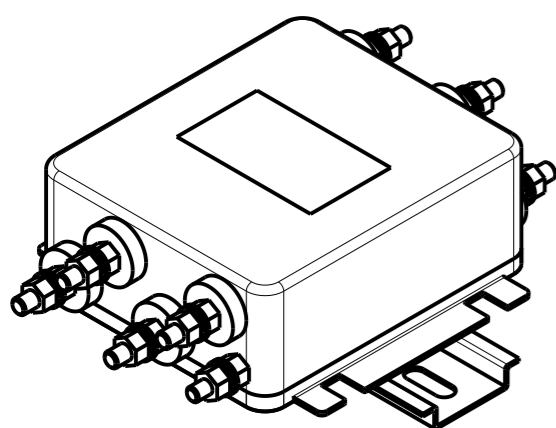
NOTE 3 SUPPLIED WITH DIN RAIL BRACKET.

NOTE 4 DRAWING SHOWS DIN RAIL FOR  
REFERENCE ONLY.

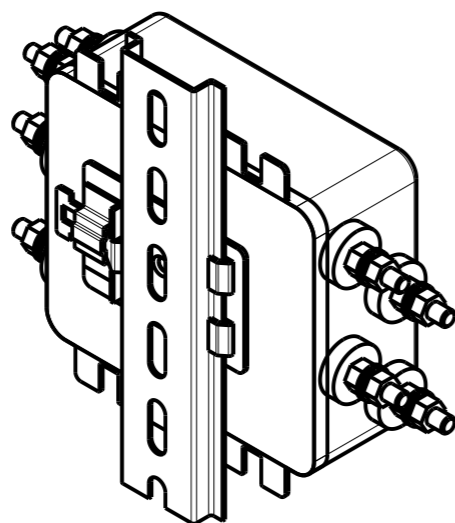
REVISIONS					
P	LTR	DESCRIPTION	DATE	DWN	APVD
		SEE SHEET 1			



DIN RAIL BRACKET      DIN 35 BRACKET



FRONT SIDE



REAR SIDE

THIS DRAWING IS A CONTROLLED DOCUMENT.		DWN SUPREETH R 14APR2021			NAME POWER LINE FILTER FOR DIN RAIL 35 INSTALLATION 15KES6BFPWDM
DIMENSIONS: mm		CHK CHRIS BOLLE 14APR2021			
TOLERANCES UNLESS OTHERWISE SPECIFIED:		APVD CHRIS BOLLE 14APR2021			
0 PLC ±- 1 PLC ±0.5 2 PLC ±0.40 3 PLC ±0.130 4 PLC ±0.0500 ANGLES ±-		PRODUCT SPEC -			
MATERIAL -		APPLICATION SPEC -	SIZE A3	CAGE CODE 00779	DRAWING NO C-6-1609966-7
FINISH -		WEIGHT -	RESTRICTED TO -		
		CUSTOMER DRAWING	SCALE 1:2	SHEET 2 OF 2	REV A