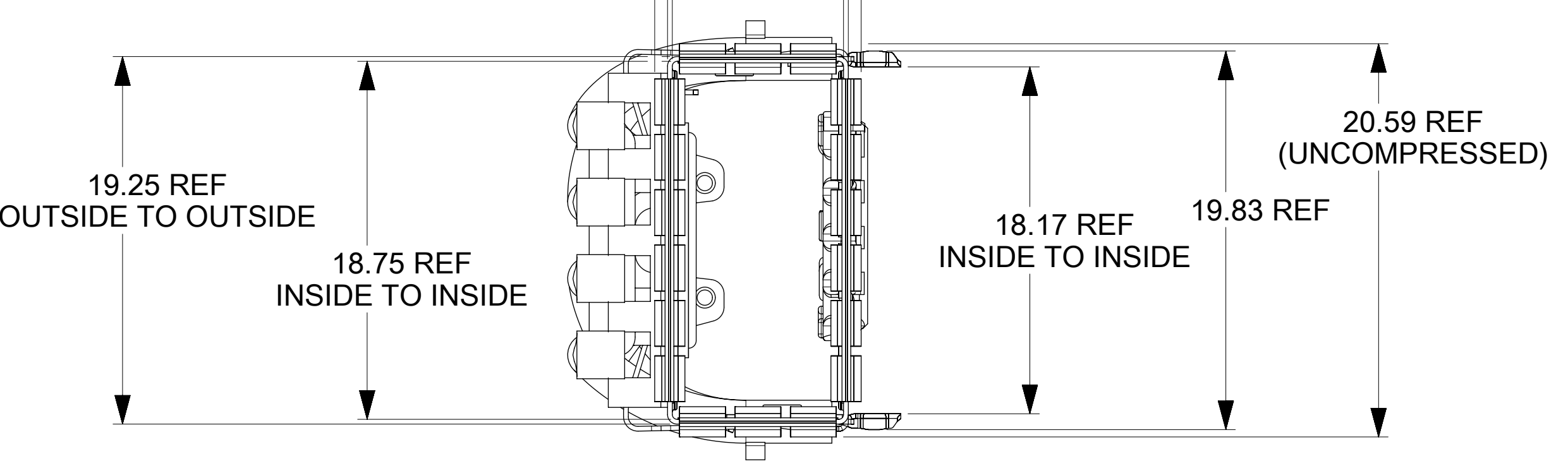
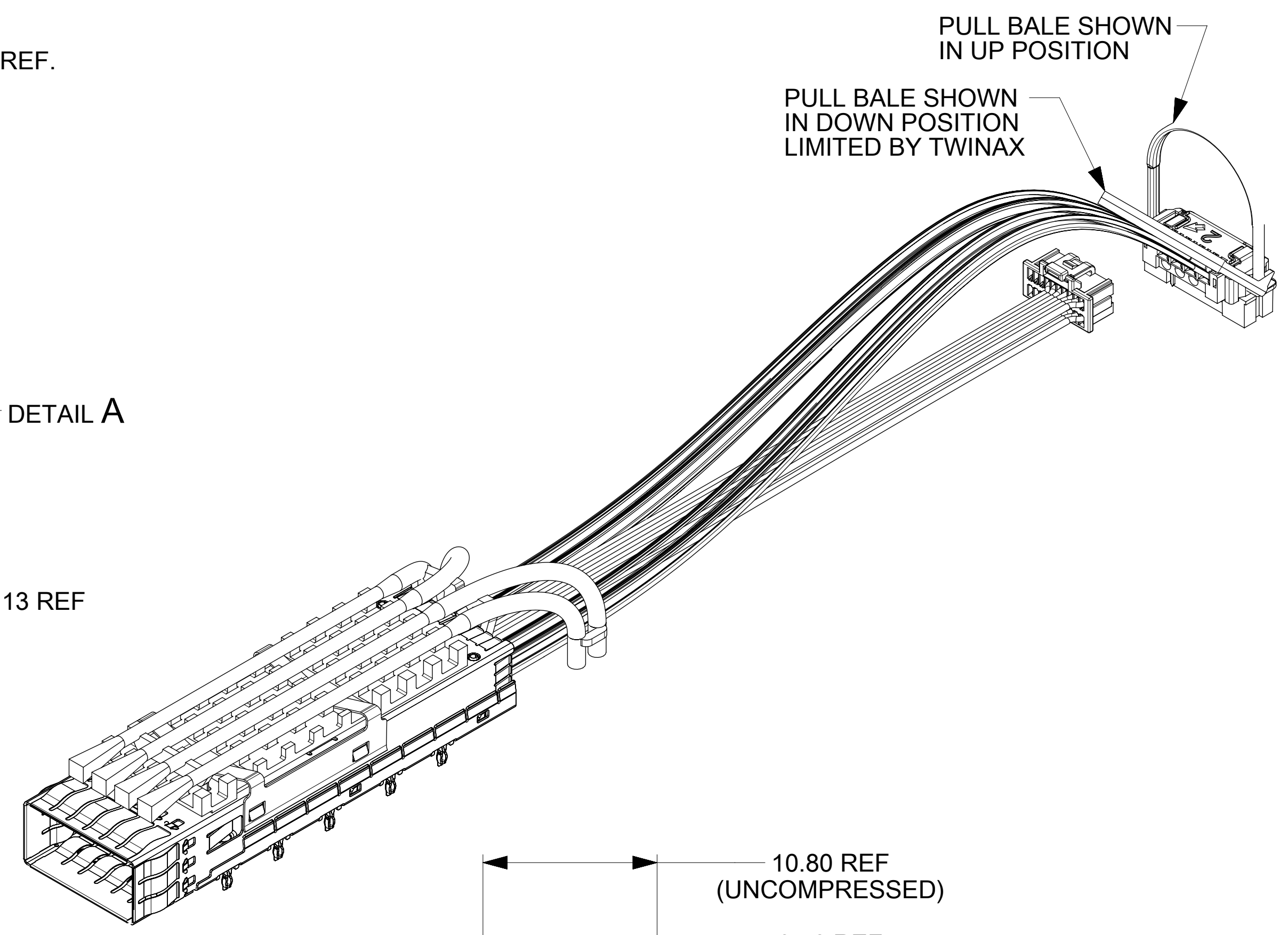
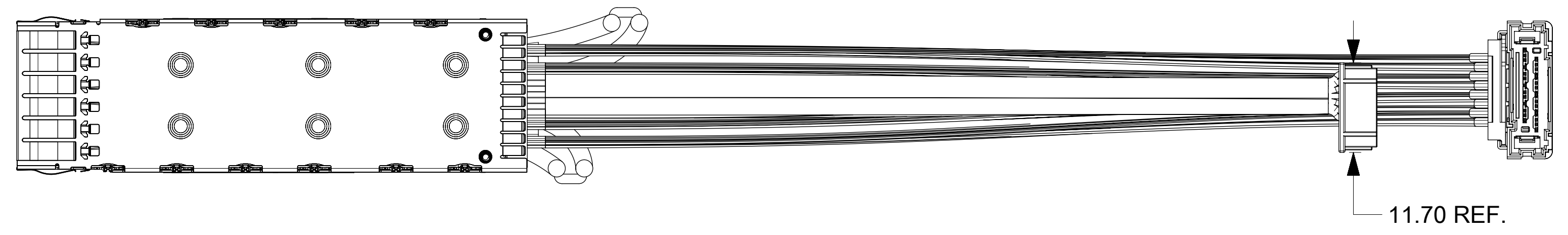
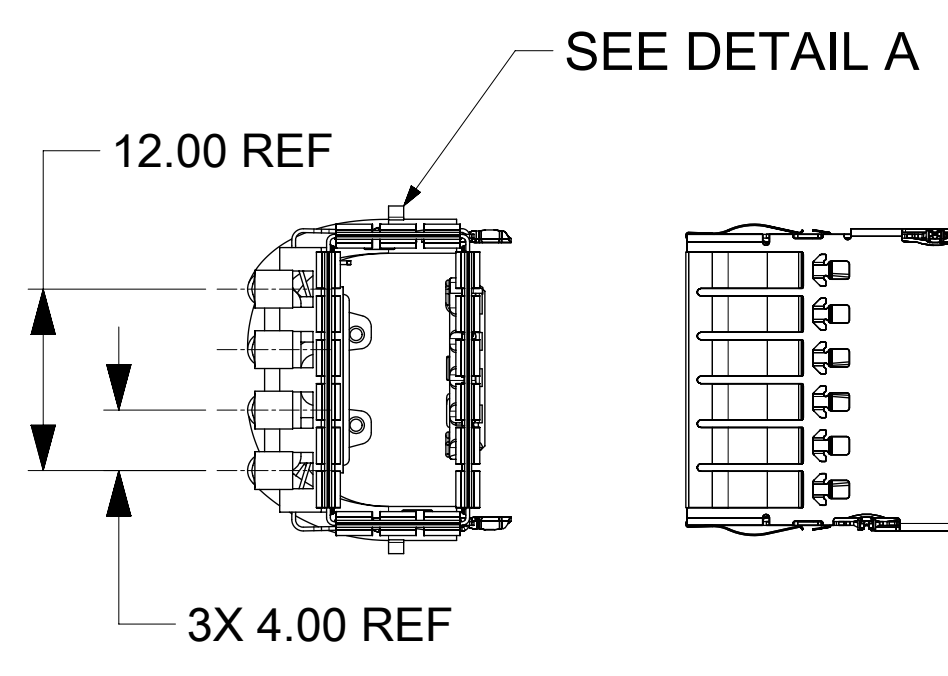
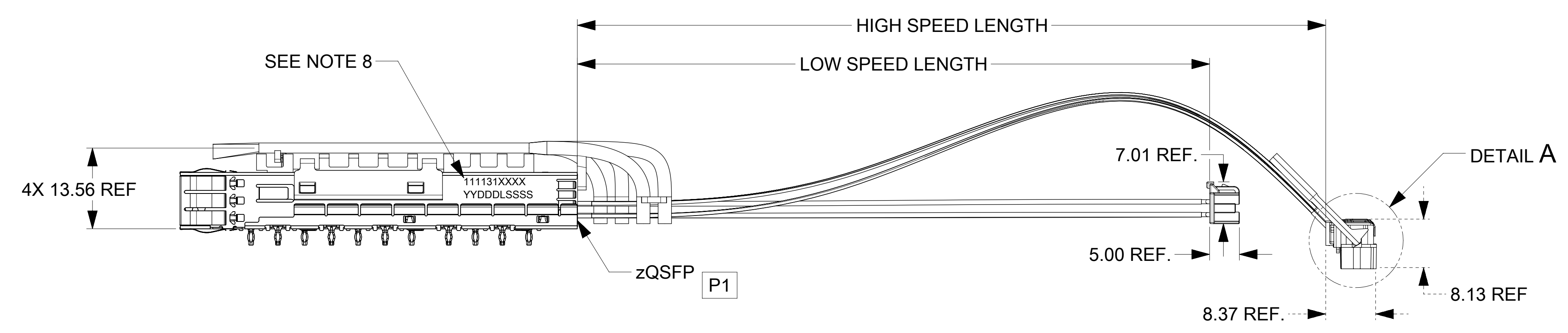
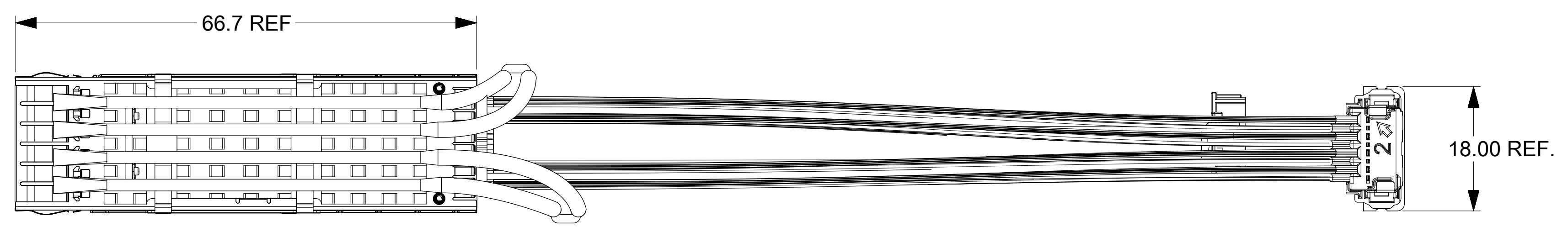
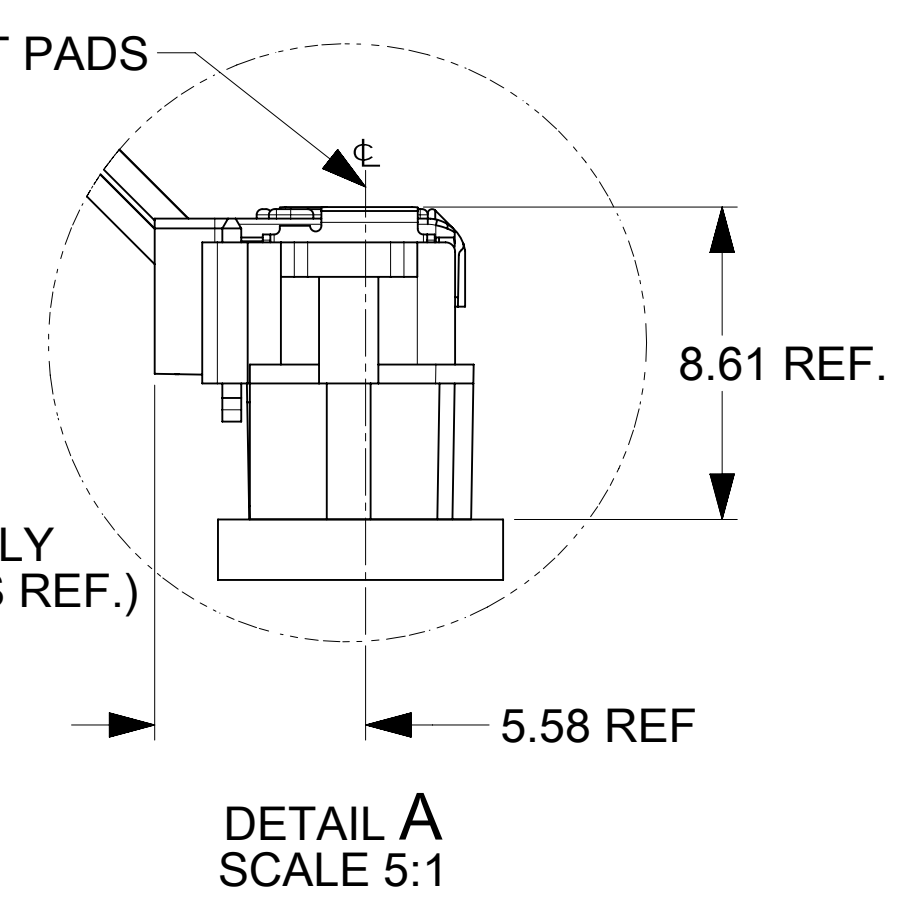


**ENHANCED zQSFP+ 1X1 CAGE TO NEARSTACK (1) PICO-CLASP (1) CABLE ASSEMBLY**



**DETAIL A**  
SCALE 4:1



**NEARSTACK MATED ASSEMBLY (PCB SHOWN AS REF.)**

**DETAIL A**  
SCALE 5:1

- NOTES:**
- CABLE LENGTH DEPENDS ON WIRE GAUGE, DATA RATE AND HOST BOARD DRIVER CAPABILITIES.
  - MATERIALS:**  
CAGE - STAINLESS STEEL  
HEAT SINK - ALUMINUM  
LIGHT PIPE - TRANSPARENT POLYMER
  - TWINAX CABLE (HIGH SPEED)**  
SHIELD - ALUMINUM/POLYESTER FOIL WRAP  
SIGNAL PAIR - 34AWG SOLID SILVER PLATED COPPER  
DRAIN - 34AWG SOLID SILVER PLATED COPPER  
CONFORMS TO UL VW-1  
IMPEDENCE - 100 OHMS  
COLOR: YELLOW
  - DISCRETE CABLE (LOW SPEED)**  
INSULATION - XLPE  
CONDUCTOR - 28AWG SOLID SILVER PLATED COPPER  
COLOR: BLACK
  - PRESS FIT LEGS 2.44 [0.096] LONG.**  
1.57 [0.062] MINIMUM PCB THICKNESS FOR SINGLE SIDED USE.  
3.00 [0.118] MINIMUM PCB THICKNESS FOR BELLY TO BELLY USE.
  - P2: BOTH NEARSTACK RECEPTACLE MOLEX PN 2042731000 (GEN 1.0) OR PN 2042731100 (GEN 2.0). MATES WITH EITHER NEARSTACK PLUG PN 2033162000 (GEN1.0) OR PN 2033162200 (GEN 2.0). P3: MOLEX PN 5011892010 UTILIZING TERMINAL PN 5011939000 (GOLD PLATED ON CRIMP BARREL) MATES WITH PN 5011902017.**
  - RoHS COMPLIANT. NO EXEMPTIONS.
  - MARK WITH PART NUMBER SERIAL NUMBER  
PART NUMBER: SEE PART NUMBER TABLE  
SERIAL NUMBER:  
YY - YEAR  
DDD - DAY OF THE YEAR  
L - MANUFACTURE LOCATION  
SSSS - SERIAL NUMBER (0001-9999)

SYMBOLS		THIS DRAWING CONTAINS INFORMATION THAT IS PROPRIETARY TO MOLEX ELECTRONIC TECHNOLOGIES, LLC AND SHOULD NOT BE USED WITHOUT WRITTEN PERMISSION		CURRENT REV DESC:	
▽ = 0	mm	SCALE	2:1		
▽ = 0	GENERAL TOLERANCES (UNLESS SPECIFIED)				
▽ = 0	ANGULAR TOL	±	°		
▽ = 0	4 PLACES	±			
▽ = 0	3 PLACES	±			
▽ = 0	2 PLACES	±			
▽ = 0	1 PLACE	±			
▽ = 0	0 PLACES	±			
■ = 0	DRAFT WHERE APPLICABLE MUST REMAIN WITHIN DIMENSIONS		THIRD ANGLE PROJECTION	DRAWING	SERIES
▽ = 0				<b>D-SIZE</b>	<b>111131</b>
EC NO: 691051		DRWN: ZDANDURAND		2020/02/20	
CHK'D: BCHEN06		APPR: BCHEN06		2022/01/14	
INITIAL REVISION:		DRWN: RWHIPPLE		2017/08/09	
APPR: JALEXANDER		2017/10/05			
DOCUMENT NUMBER		DOC TYPE		DOC PART	
<b>1111310799</b>		PSD		000 H	
MATERIAL NUMBER		CUSTOMER		SHEET NUMBER	
1111310799		GENERAL MARKET		1 OF 17	

DOCUMENT STATUS	P1	RELEASE DATE	2022/01/14	21:04:26
-----------------	----	--------------	------------	----------





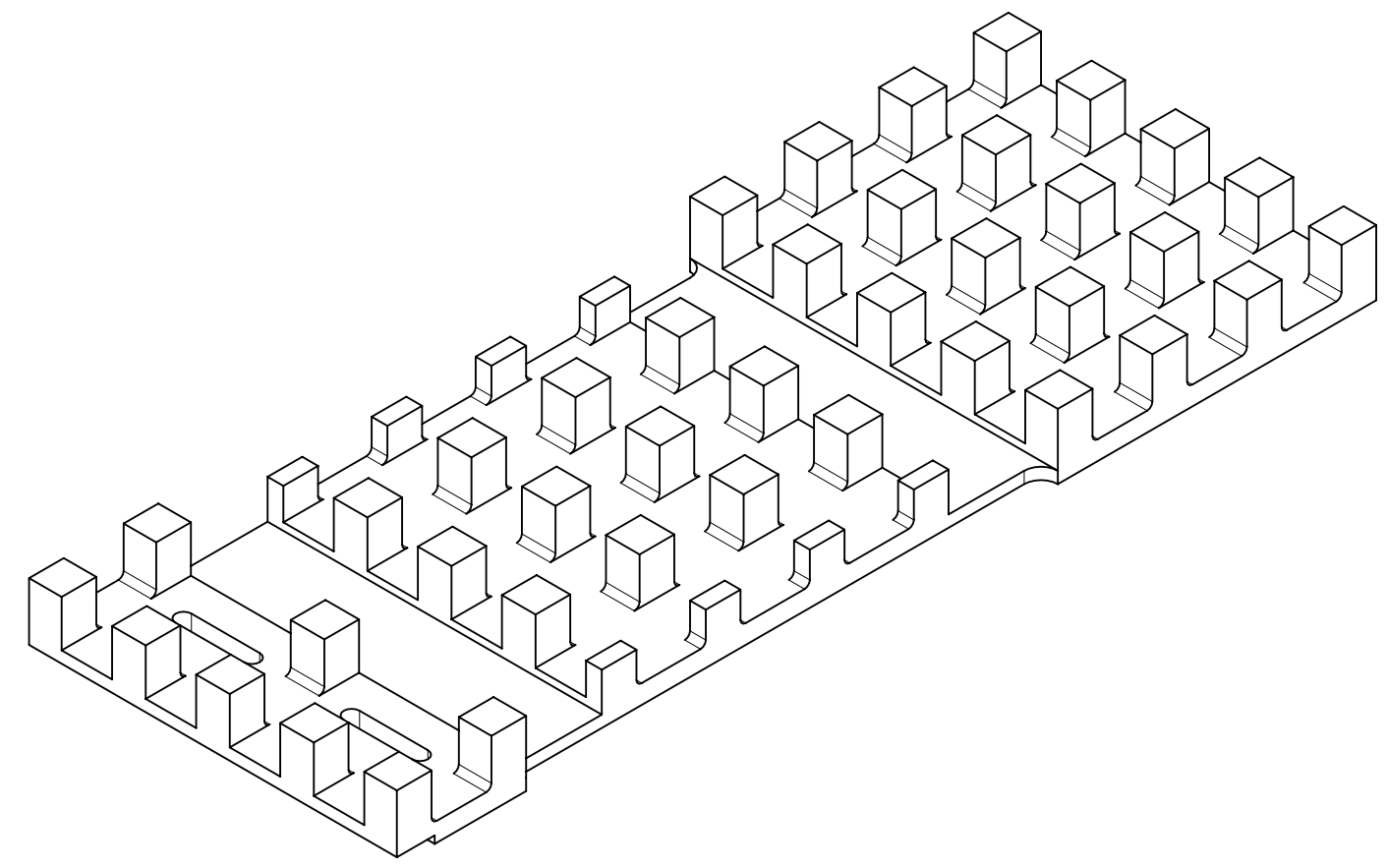






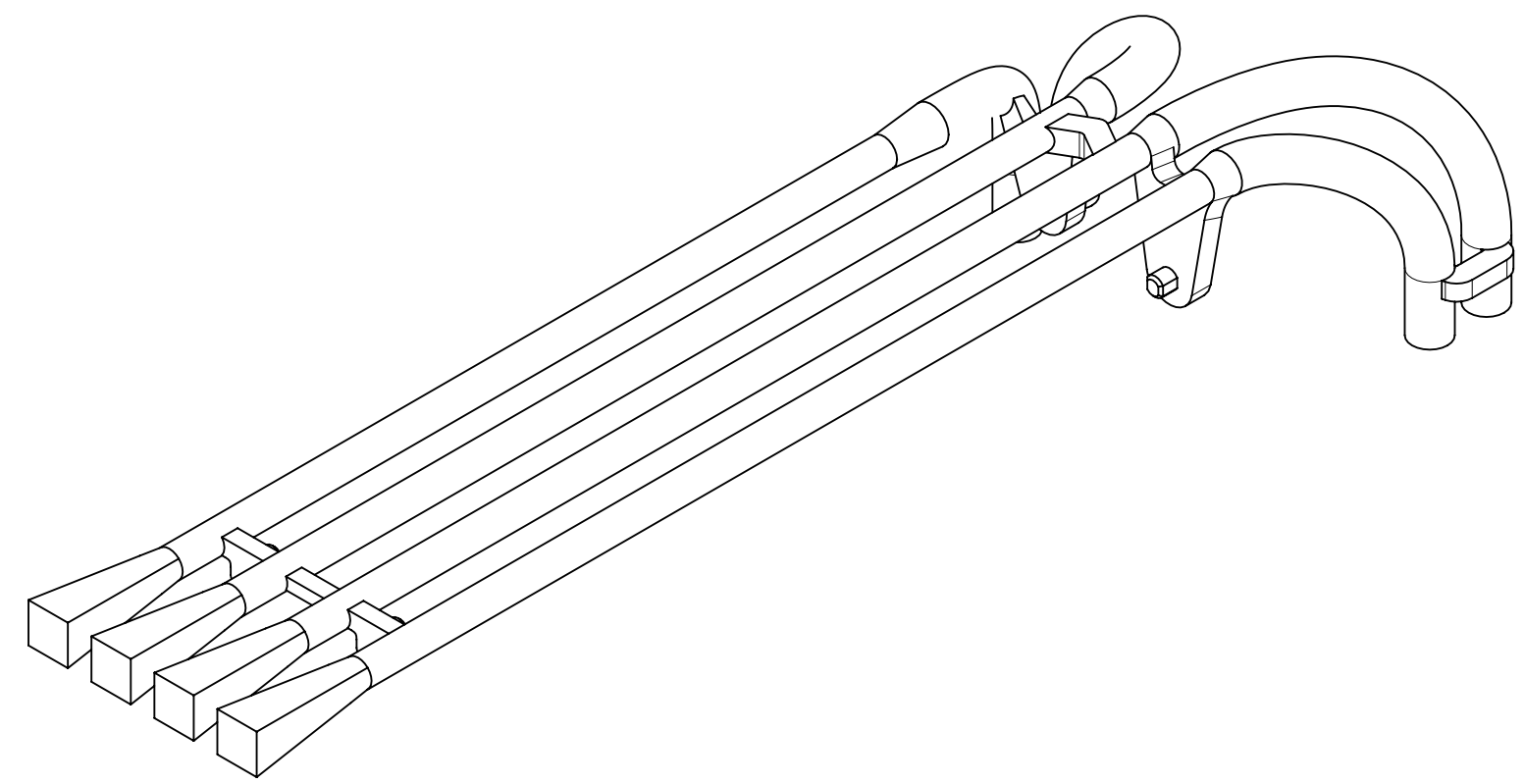


STANDARD HEAT SINK  
USED ON ASSEMBLIES SHOWN  
IN THIS DRAWING



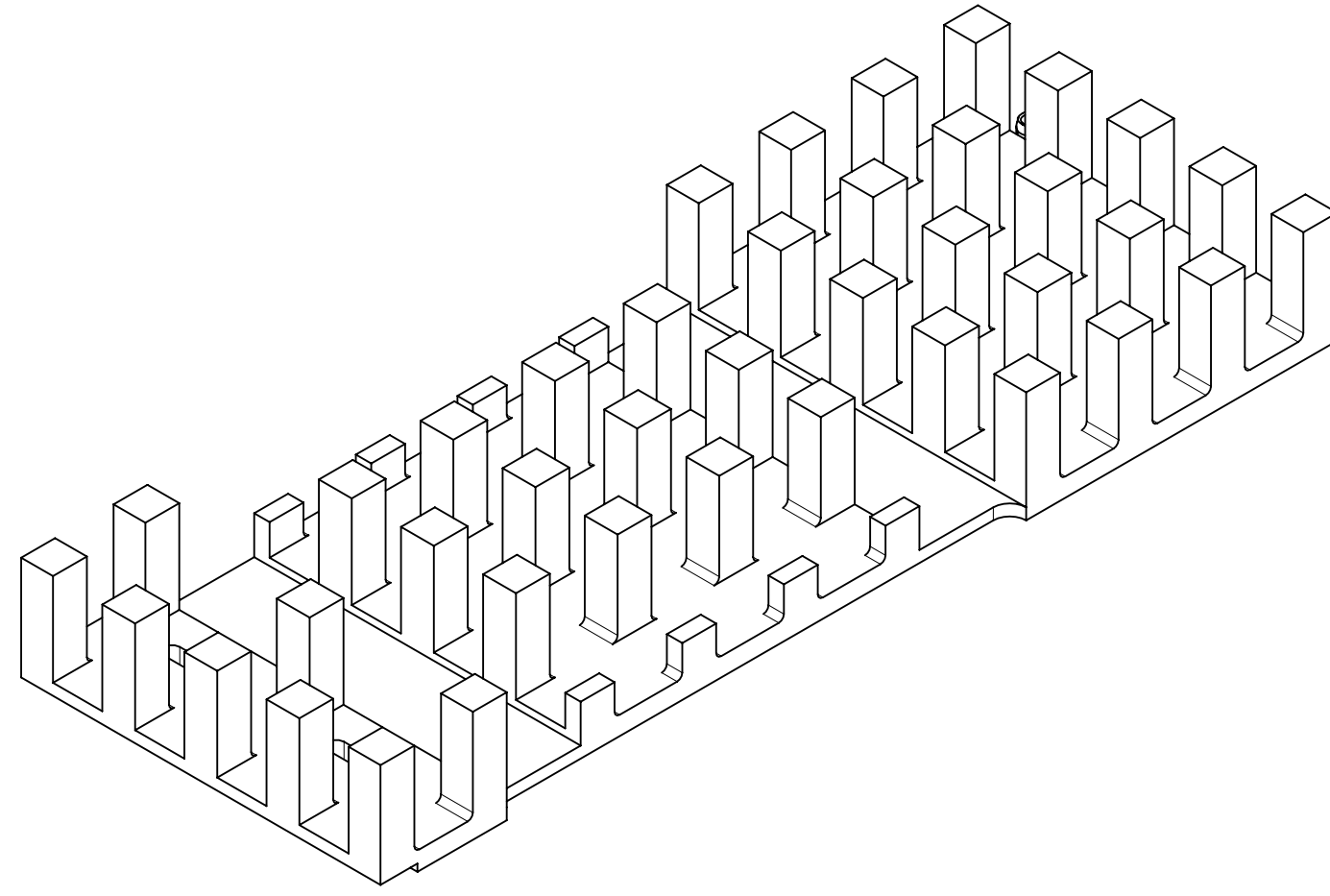
HEAT SINK PIN TYPE  
HEIGHT = 3.1MM  
(PCI)

STANDARD LIGHT PIPE  
USED ON ASSEMBLIES SHOWN  
IN THIS DRAWING

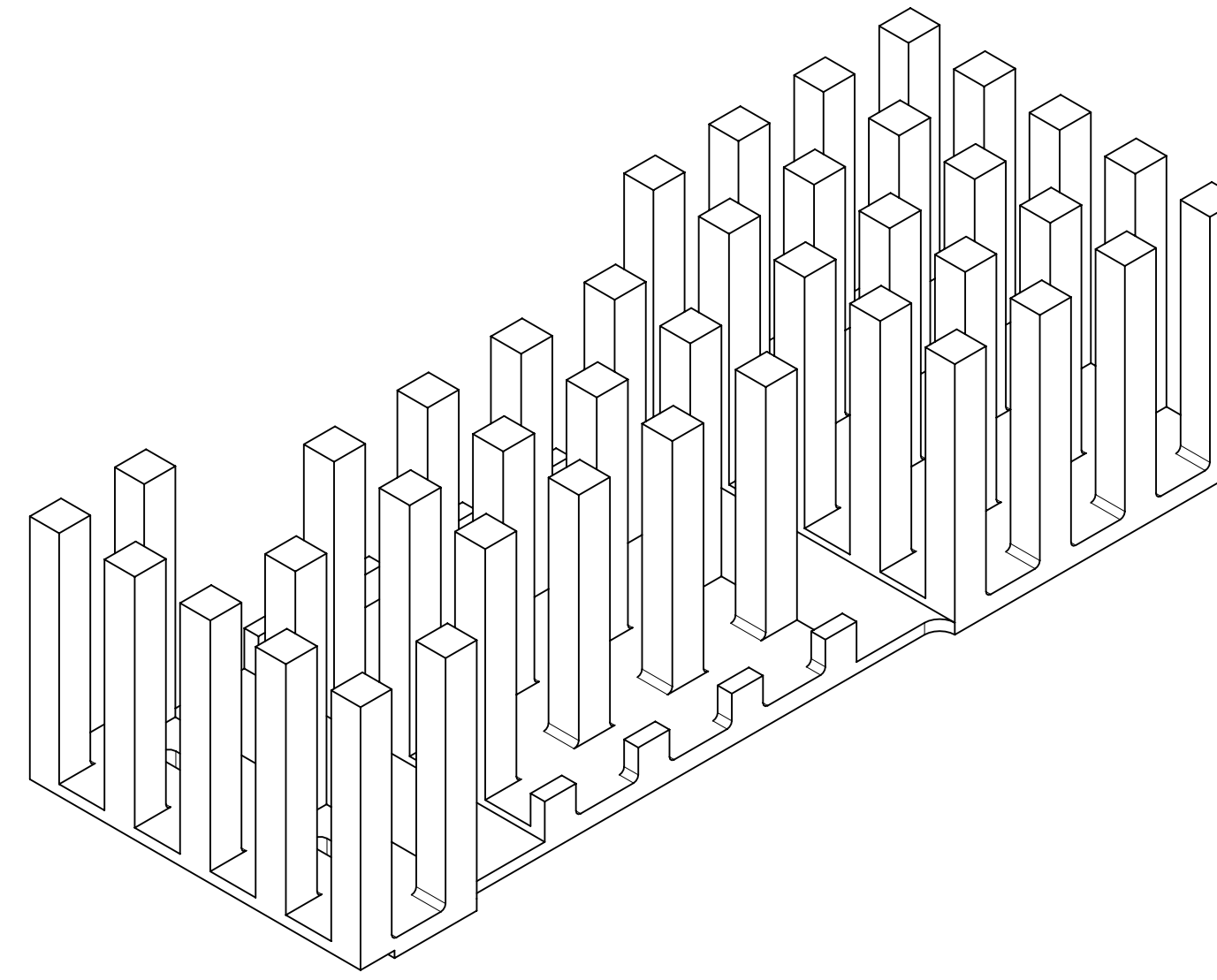


LIGHT PIPE  
4 CHANNEL

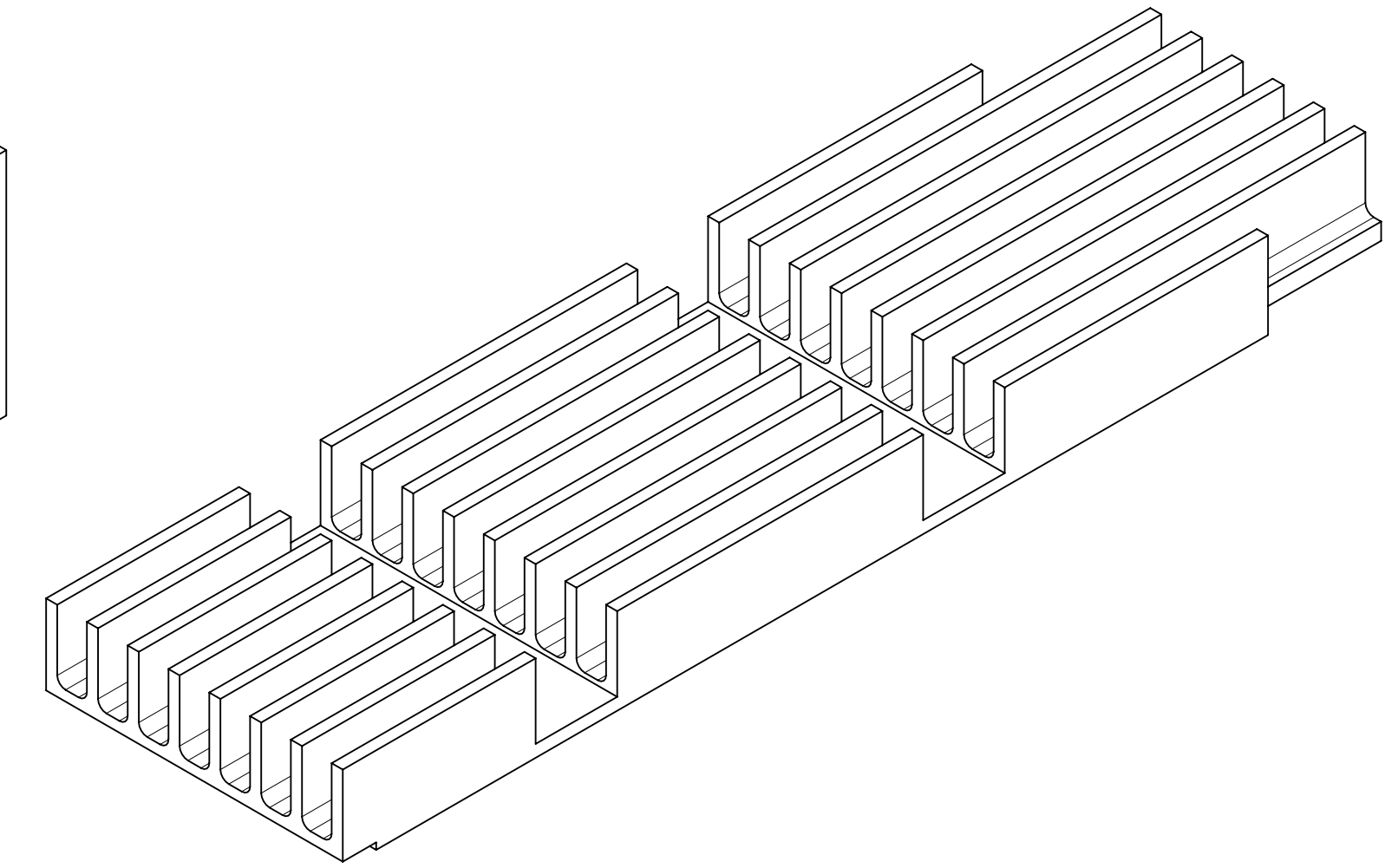
HEAT SINK OPTIONS



HEAT SINK PIN TYPE  
HEIGHT = 5.4MM  
(SAN)

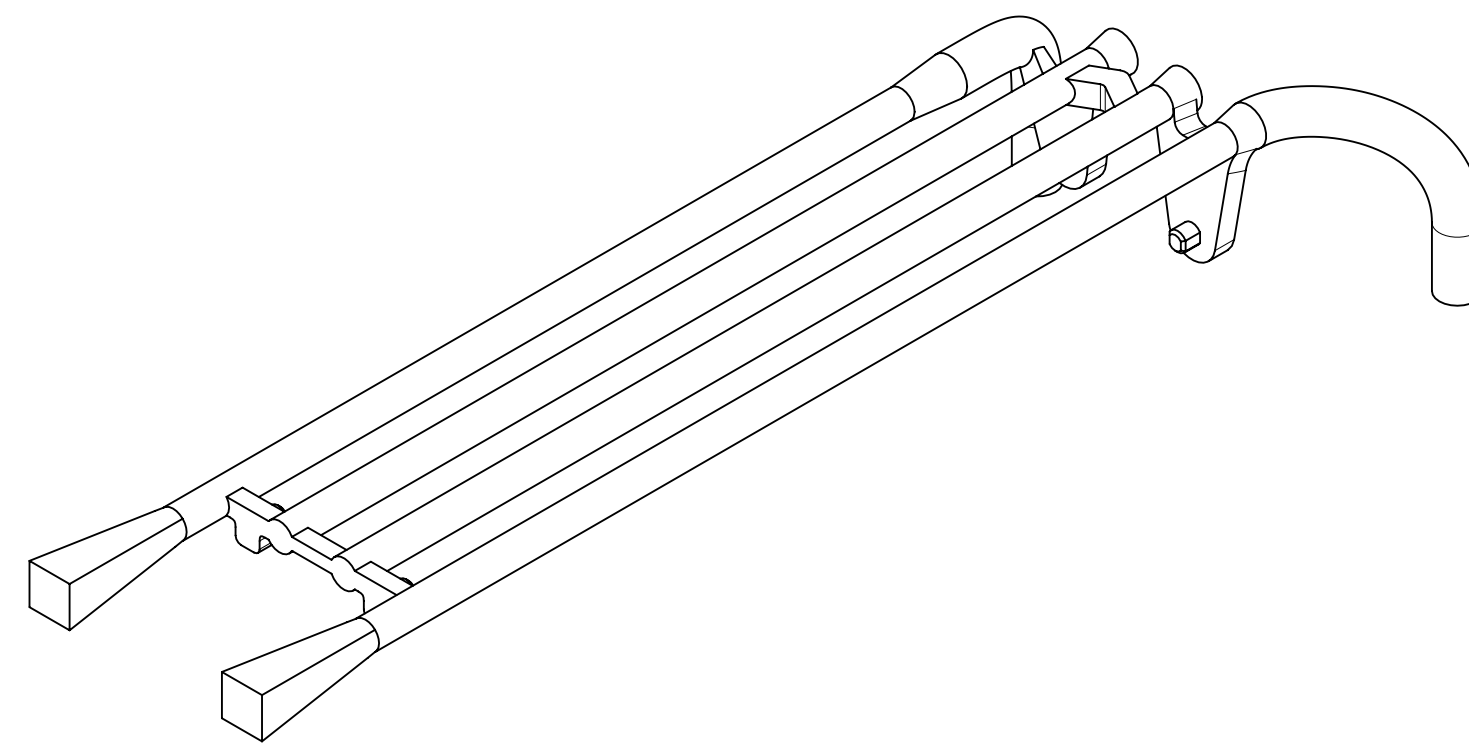


HEAT SINK PIN TYPE  
HEIGHT = 12.4MM  
(NET)



HEAT SINK FIN TYPE  
HEIGHT = 3.7MM

LIGHT PIPE OPTIONS



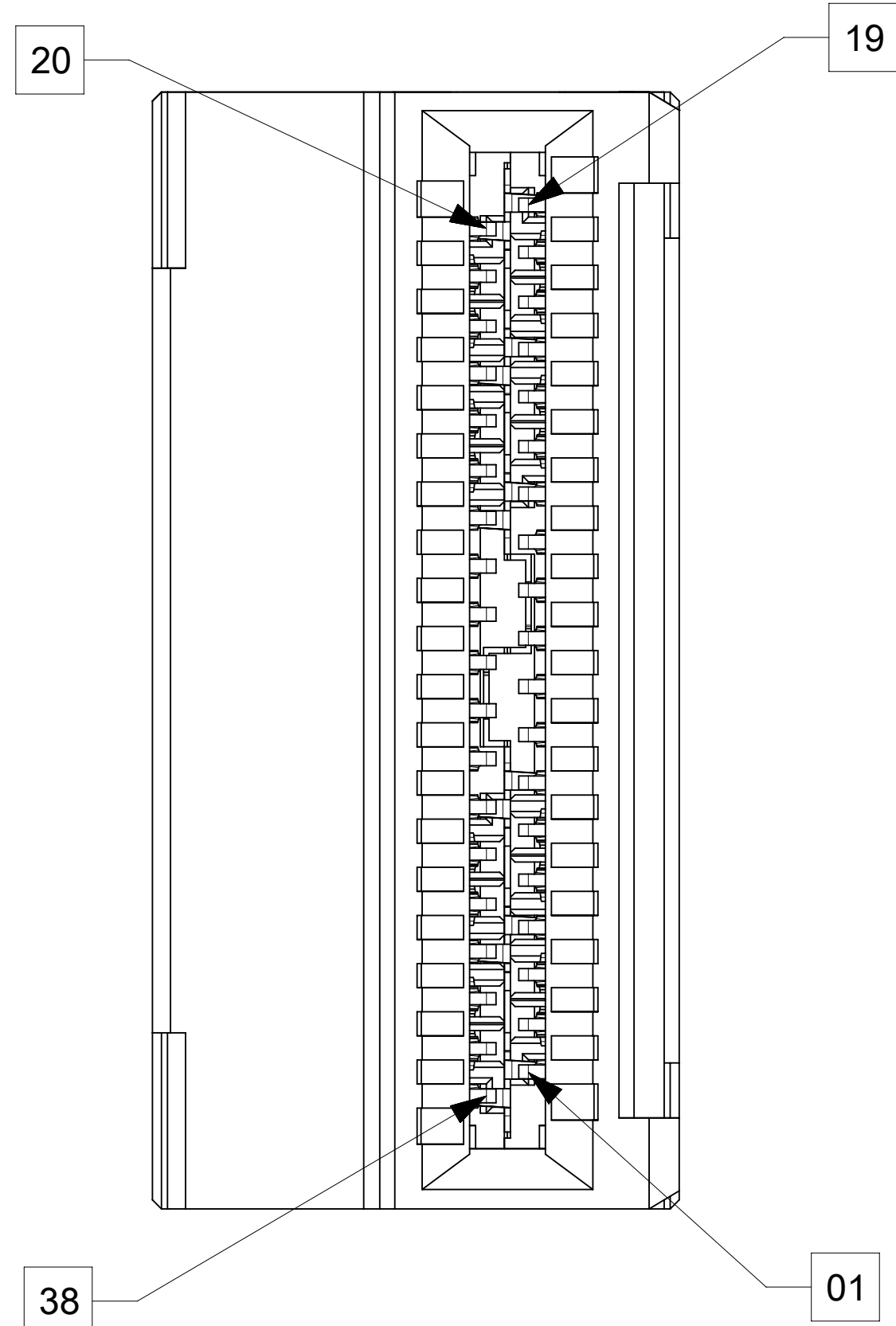
LIGHT PIPE  
2 CHANNEL

CONTACT MOLEX FOR BiPASS ASSEMBLY PART NUMBER AND AVAILABILITY

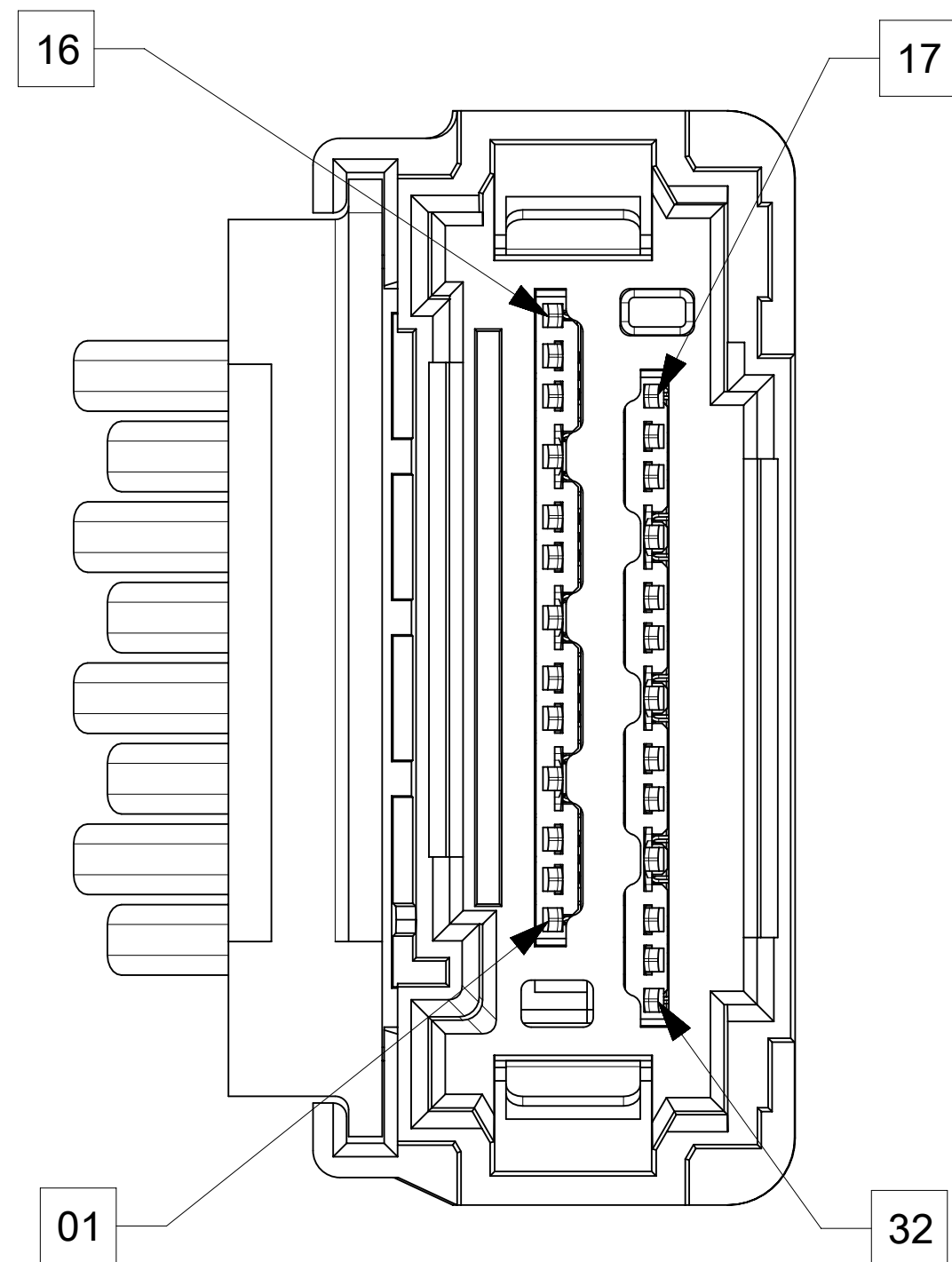
SYMBOLS	THIS DRAWING CONTAINS INFORMATION THAT IS PROPRIETARY TO MOLEX ELECTRONIC TECHNOLOGIES, LLC AND SHOULD NOT BE USED WITHOUT WRITTEN PERMISSION		
	DIMENSION UNITS	SCALE	CURRENT REV DESC:
▽ = 0	mm	4:1	<b>molex</b> ENHANCED ZQSFP+ NEARSTACK TO PICO CLASP PRODUCT CUSTOMER DRAWING DOCUMENT NUMBER: 1111310799 DOC TYPE: PSD DOC PART: 000 REVISION: H MATERIAL NUMBER: 1111310799 CUSTOMER: GENERAL MARKET SHEET NUMBER: 8 OF 17
▽ = 0	GENERAL TOLERANCES (UNLESS SPECIFIED)		
▽ = 0	ANGULAR TOL	± °	
▽ = 0	4 PLACES	±	
▽ = 0	3 PLACES	±	
▽ = 0	2 PLACES	±	EC NO: 691051
▽ = 0	1 PLACE	±	DRWN: ZDANDURAND 2020/02/20
☒ = 0	0 PLACES	±	CHK'D: BCHEN06 2022/01/14
■ = 0	DRAFT WHERE APPLICABLE MUST REMAIN WITHIN DIMENSIONS		APPR: BCHEN06 2022/01/14
▽ = 0	THIRD ANGLE PROJECTION		INITIAL REVISION:
			DRWN: RWHIPPLE 2017/08/09
	DRAWING	SERIES	2017/10/05
	D-SIZE	111131	



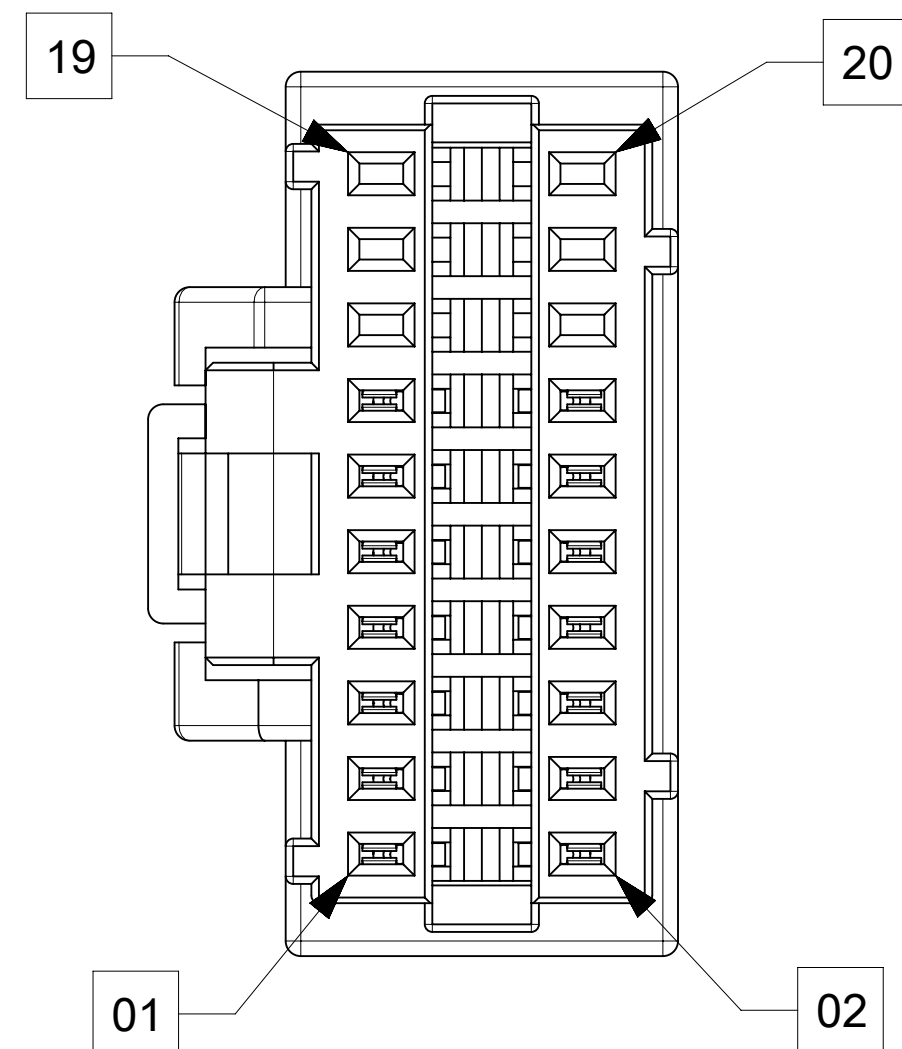
**P1 QSFP  
HIGH/LOW SPEED**



**P2 NEARSTACK  
HIGH SPEED**



**P3 PICO-CLASP  
LOW SPEED**

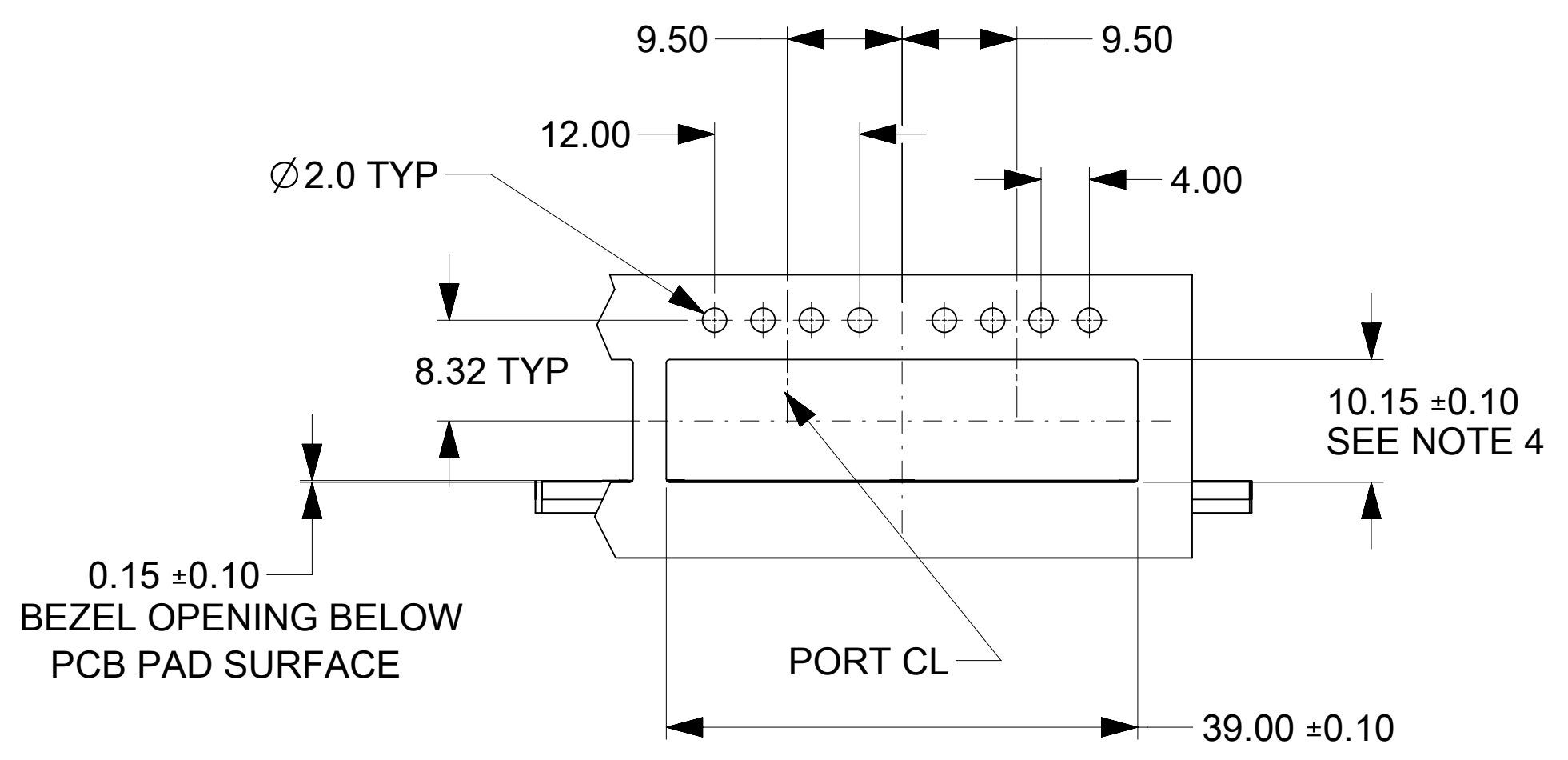
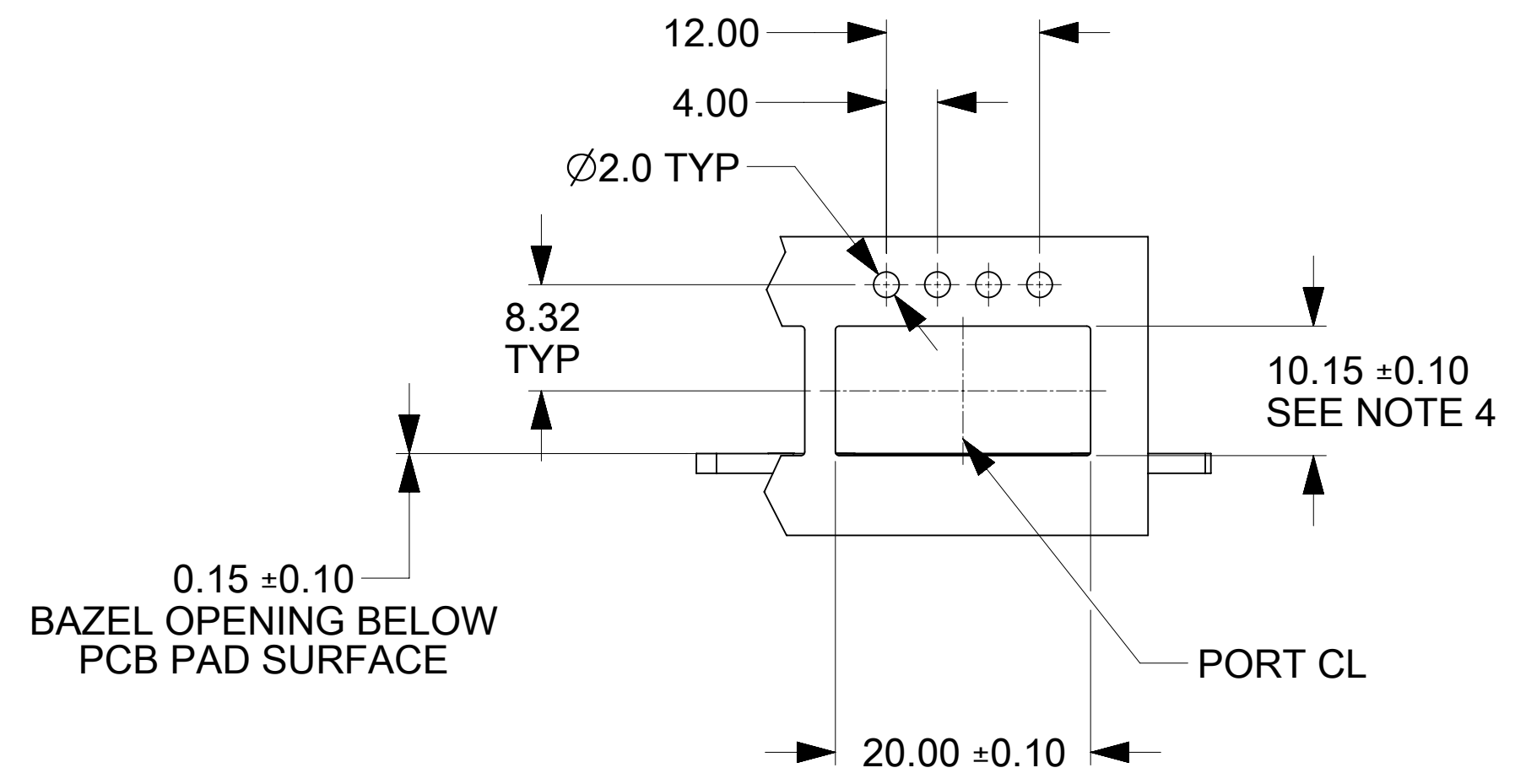
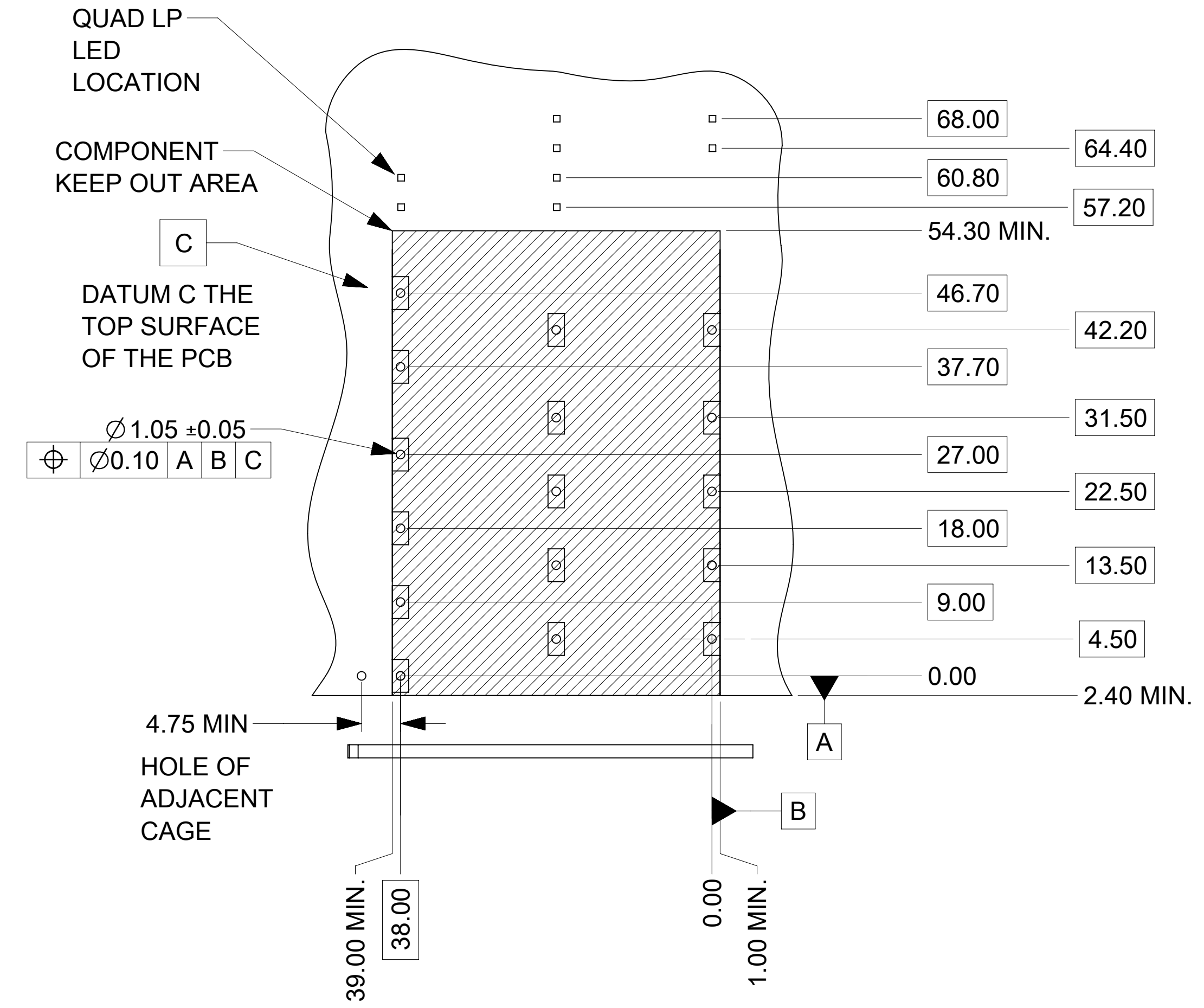
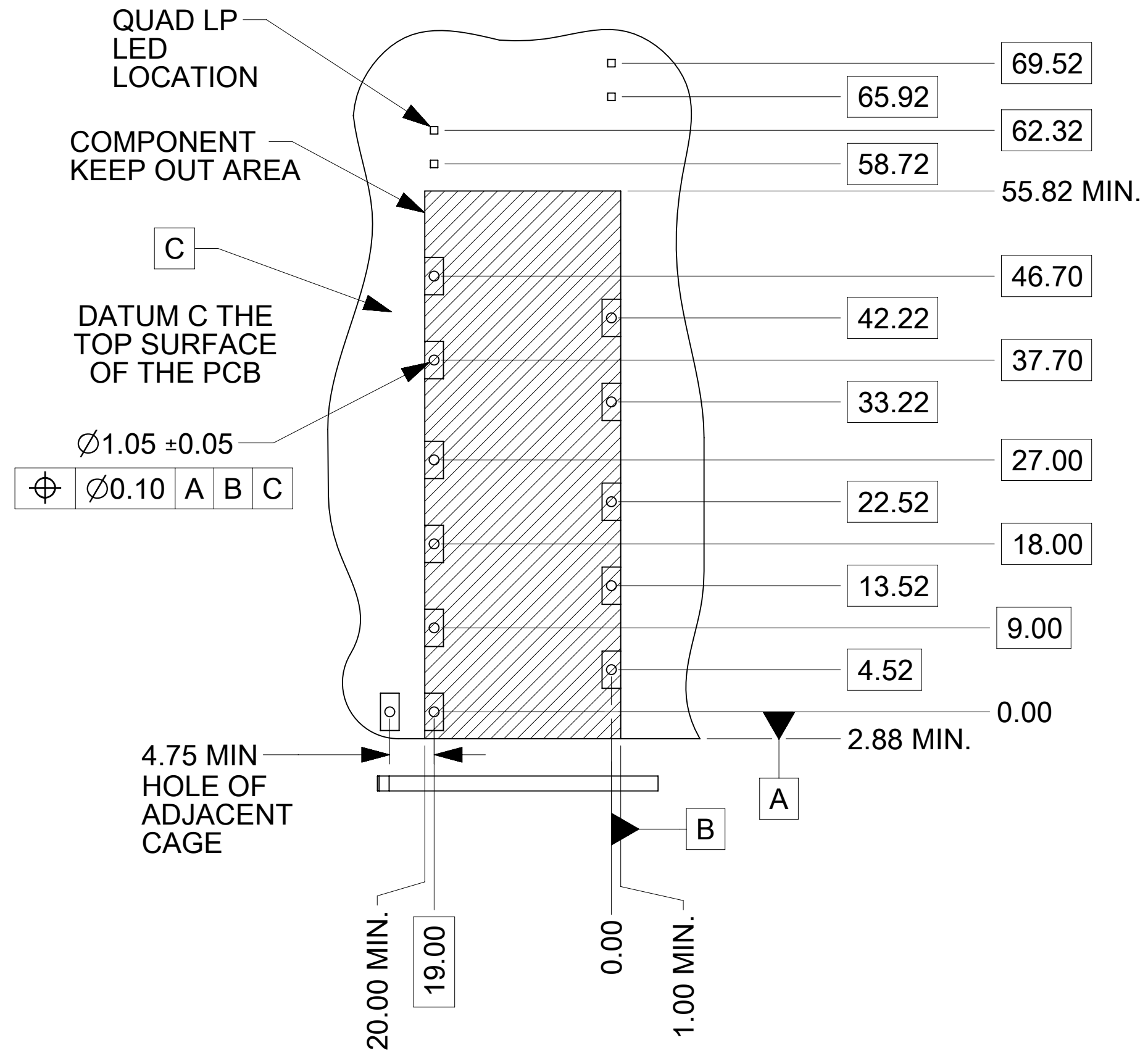


LOW SPEED SIGNALS		
P1		P3
PIN	SIGNAL	PIN
	NC	20
	NC	18
	NC	16
32, 35, 38	GND	14
08	ModSelL	12
09	ResetL	10
10	VccRx	08
11	SCL	06
12	SDA	04
13, 16, 19	GND	02
20, 23, 26	GND	01
27	ModPrsL	03
28	IntL	05
29	VccTx	07
30	Vcc1	09
31	LPMode	11
1, 4, 7	GND	13
	NC	15
	NC	17
	NC	19

HIGH SPEED WIRING DIAGRAM				
P1 END zQSFP			P2 END NEARSTACK	
PIN	SIGNAL		PIN	SIGNAL
01	GND (TX)		01	GND
02	TX2n	↔	02	TX2p
03	TX2p	↔	03	TX2n
04	GND (TX)		04, 05	GND
05	TX4n	↔	06	TX4p
06	TX4p	↔	07	TX4n
07	GND (TX)		08	GND
13	GND (RX)		09	GND
14	RX3p	↔	10	RX3n
15	RX3n	↔	11	RX3p
16	GND (RX)		12, 13	GND
17	RX1p	↔	14	RX1n
18	RX1n	↔	15	RX1p
19	GND (RX)		16	GND
20	GND (RX)		17	GND
21	RX2n	↔	18	RX2n
22	RX2p	↔	19	RX2p
23	GND (RX)		20, 21	GND
24	RX4n	↔	22	RX4n
25	RX4p	↔	23	RX4p
26	GND (RX)		24	GND
32	GND (TX)		25	GND
33	TX3p	↔	26	TX3p
34	TX3n	↔	27	TX3n
35	GND (TX)		28, 29	GND
36	TX1p	↔	30	TX1p
37	TX1n	↔	31	TX1n
38	GND (TX)		32	GND

<b>SYMBOLS</b> DIMENSION UNITS: mm SCALE: 10:1 GENERAL TOLERANCES (UNLESS SPECIFIED): ANGULAR TOL: ± ° 4 PLACES ± 3 PLACES ± 2 PLACES ± 1 PLACE ± 0 PLACES ± DRAFT WHERE APPLICABLE MUST REMAIN WITHIN DIMENSIONS	THIS DRAWING CONTAINS INFORMATION THAT IS PROPRIETARY TO MOLEX ELECTRONIC TECHNOLOGIES, LLC AND SHOULD NOT BE USED WITHOUT WRITTEN PERMISSION CURRENT REV DESC:			
	EC NO: 691051 DRWN: ZDANDURAND 2020/02/20 CHK'D: BCHEN06 2022/01/14 APPR: BCHEN06 2022/01/14			
	INITIAL REVISION: DRWN: RWHIPPLE 2017/08/09 APPR: JALEXANDER 2017/10/05		PRODUCT CUSTOMER DRAWING	
	MATERIAL NUMBER: 1111310799 CUSTOMER: GENERAL MARKET		DOCUMENT NUMBER: 1111310799 DOC TYPE: PSD DOC PART: 000 REVISION: H	

# PCB LAYOUT FOR SINGLE SIDED MOUNTING



- NOTES:
- PADS AND VIAS GO TO CHASSIS GROUND. (RECOMMENDED PADS TO BE 2.0MM - 4.0mm SQUARE)
  - RECOMMENDED THRU HOLE PLATING INCLUDES HASL, OSP, OR IMMERSION Au, Ag OR Sn.
  - HOLE PATTERN REPEATS FOR EACH PORT. SPACING BETWEEN PORTS IS 19.00MM.
  - PCB THICKNESS VARIATION MUST BE CONSIDERED WHEN DETERMINING BEZEL OPENING, SIZE AND LOCATION.

SYMBOLS		THIS DRAWING CONTAINS INFORMATION THAT IS PROPRIETARY TO MOLEX ELECTRONIC TECHNOLOGIES, LLC AND SHOULD NOT BE USED WITHOUT WRITTEN PERMISSION	
▽ = 0	mm	SCALE	2:1
▽ = 0	GENERAL TOLERANCES (UNLESS SPECIFIED)		CURRENT REV DESC:
▽ = 0	ANGULAR TOL	±	°
▽ = 0	4 PLACES	±	EC NO: 691051
▽ = 0	3 PLACES	±	DRWN: ZDANDURAND 2020/02/20
▽ = 0	2 PLACES	±	CHK'D: BCHEN06 2022/01/14
▽ = 0	1 PLACE	±	APPR: BCHEN06 2022/01/14
▽ = 0	0 PLACES	±	INITIAL REVISION:
▽ = 0	DRAFT WHERE APPLICABLE MUST REMAIN WITHIN DIMENSIONS		DRWN: RWHIPPLE 2017/08/09
▽ = 0	THIRD ANGLE PROJECTION		APPR: JALEXANDER 2017/10/05
D-DRAWING		SERIES	111131
D-D-SIZE		MATERIAL NUMBER	1111310799
D-D-CUSTOMER		CUSTOMER	GENERAL MARKET
D-D-SHEET NUMBER		10 OF 17	

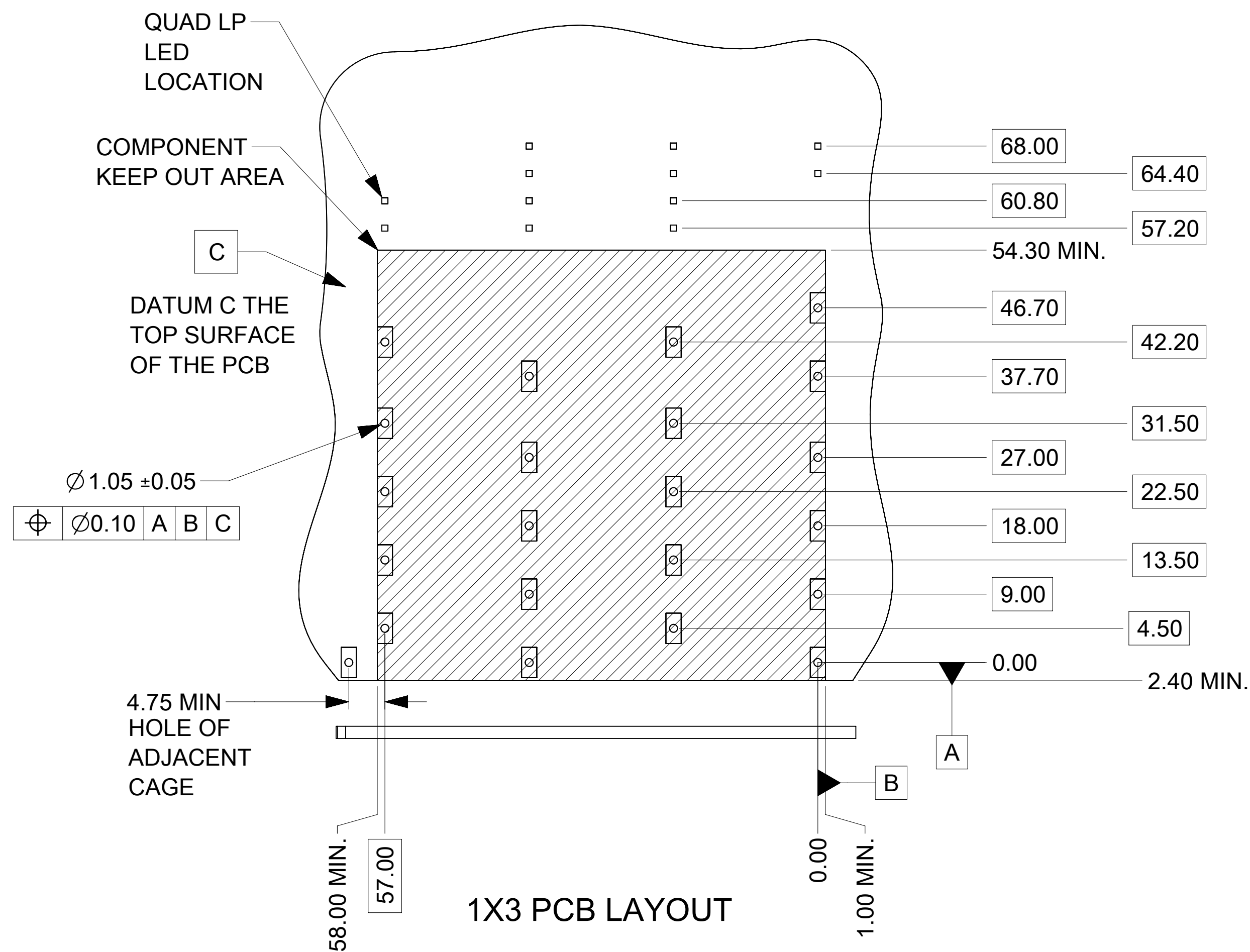
**molex**

ENHANCED ZQSFP+ NEARSTACK TO PICO CLASP

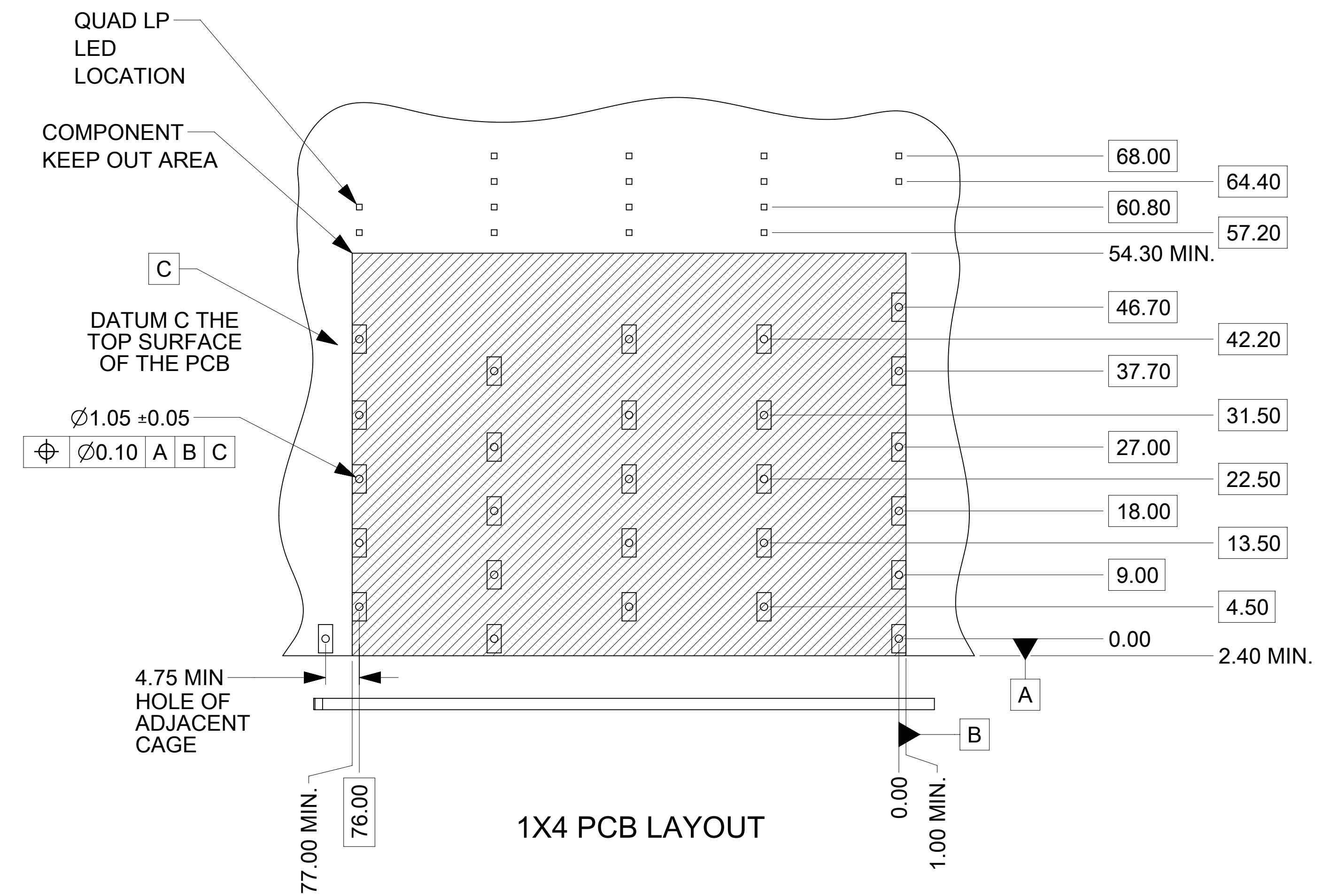
PRODUCT CUSTOMER DRAWING

DOCUMENT NUMBER: 1111310799 | DOC TYPE: PSD | DOC PART: 000 | REVISION: H

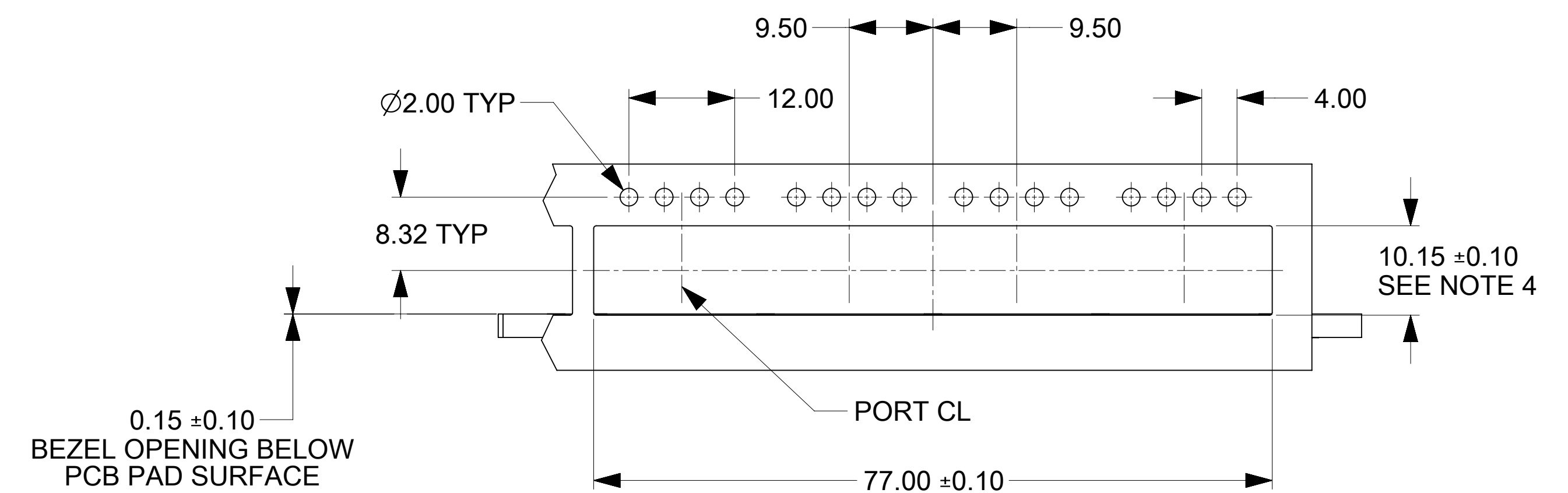
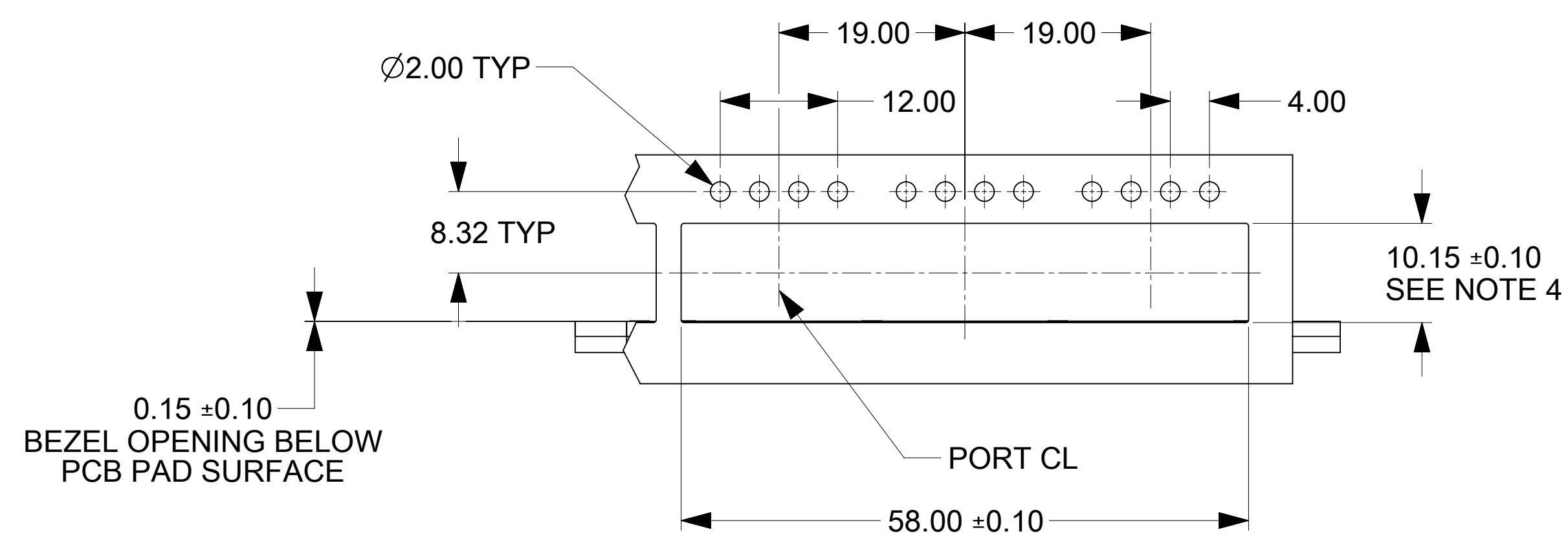
# PCB LAYOUT FOR SINGLE SIDED MOUNTING



1X3 PCB LAYOUT



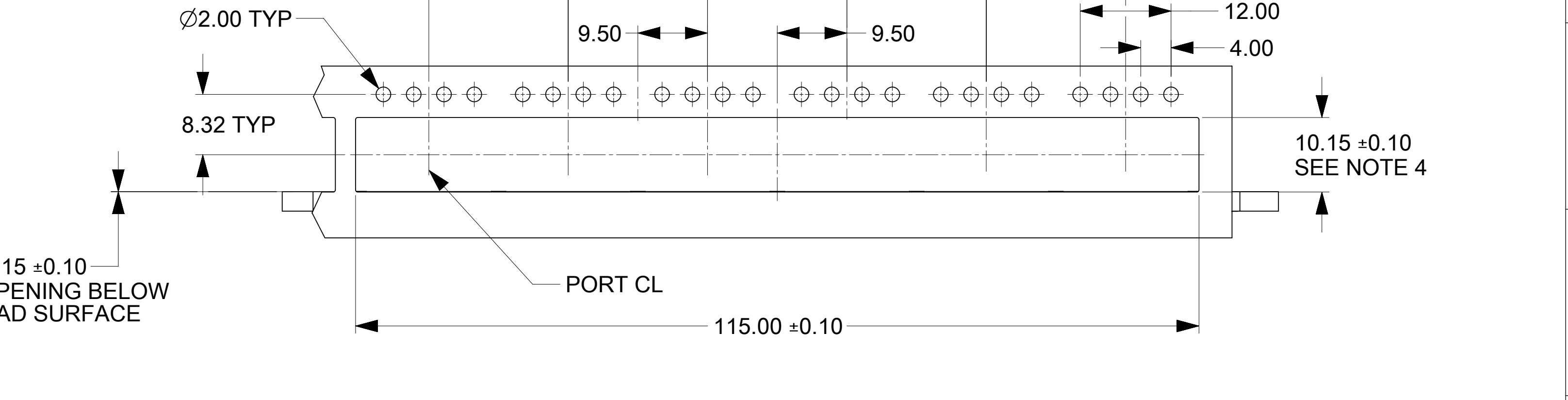
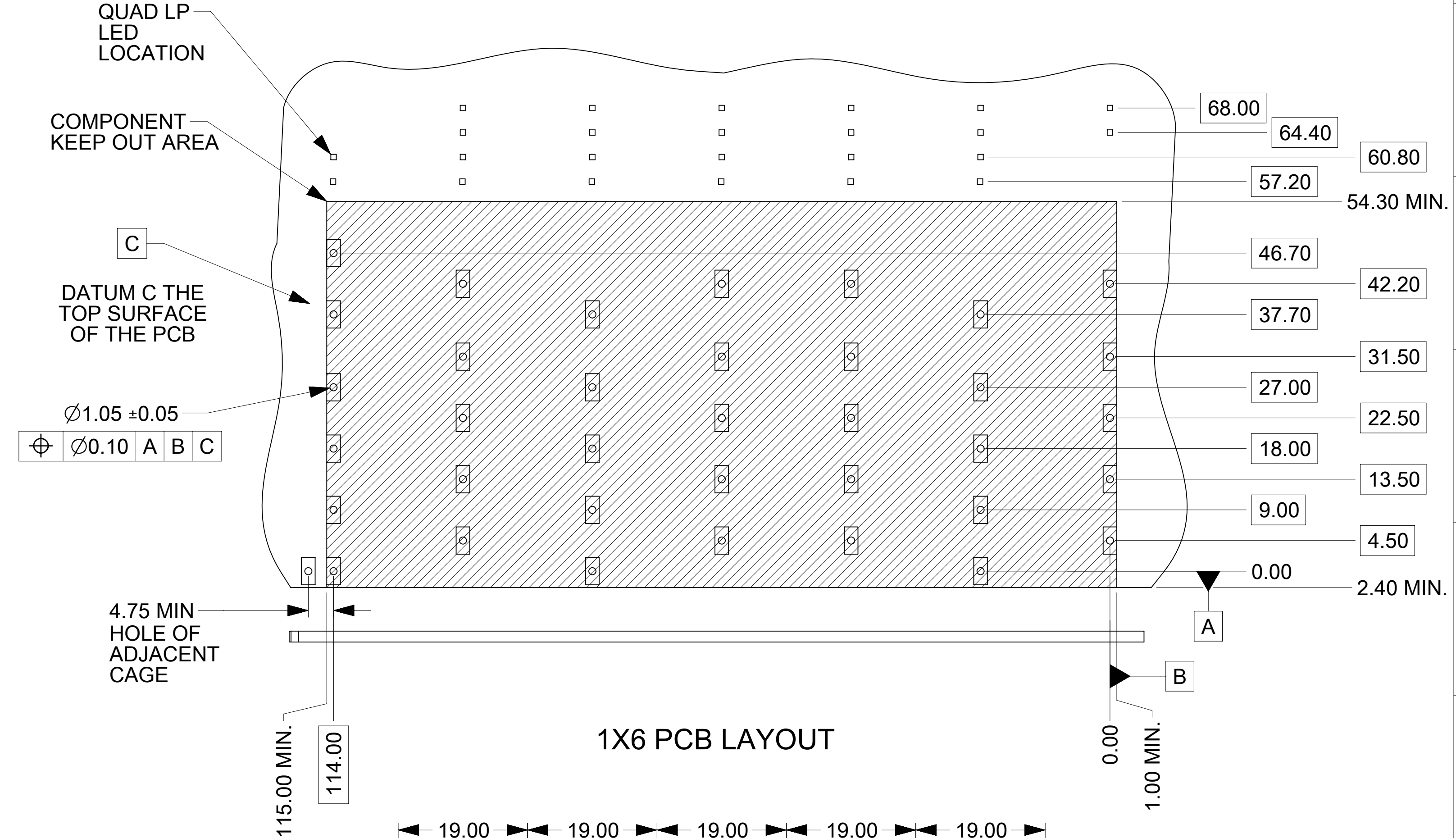
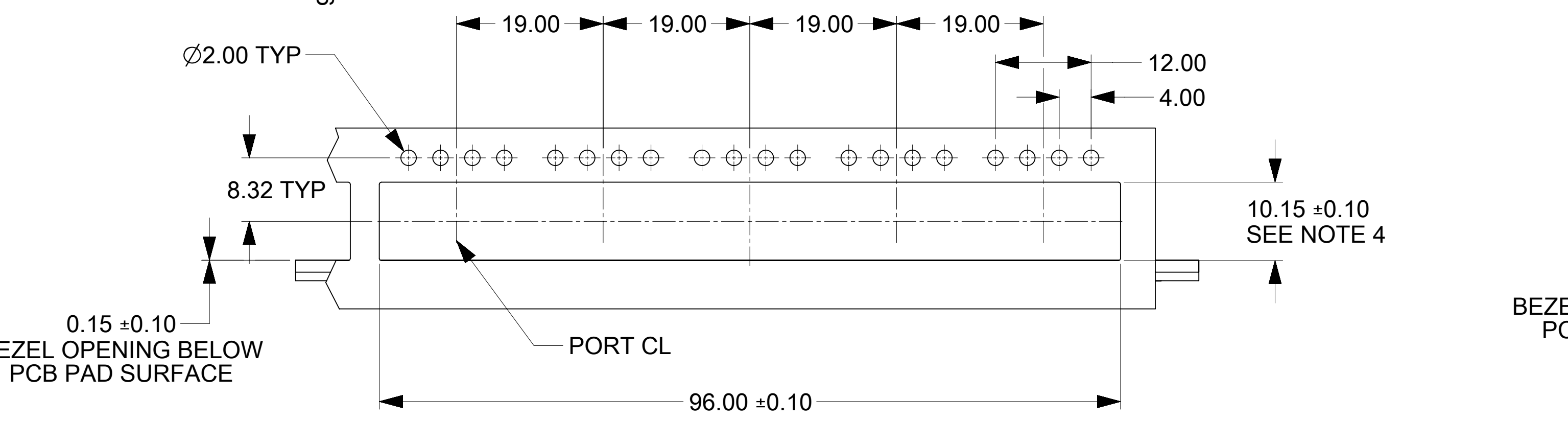
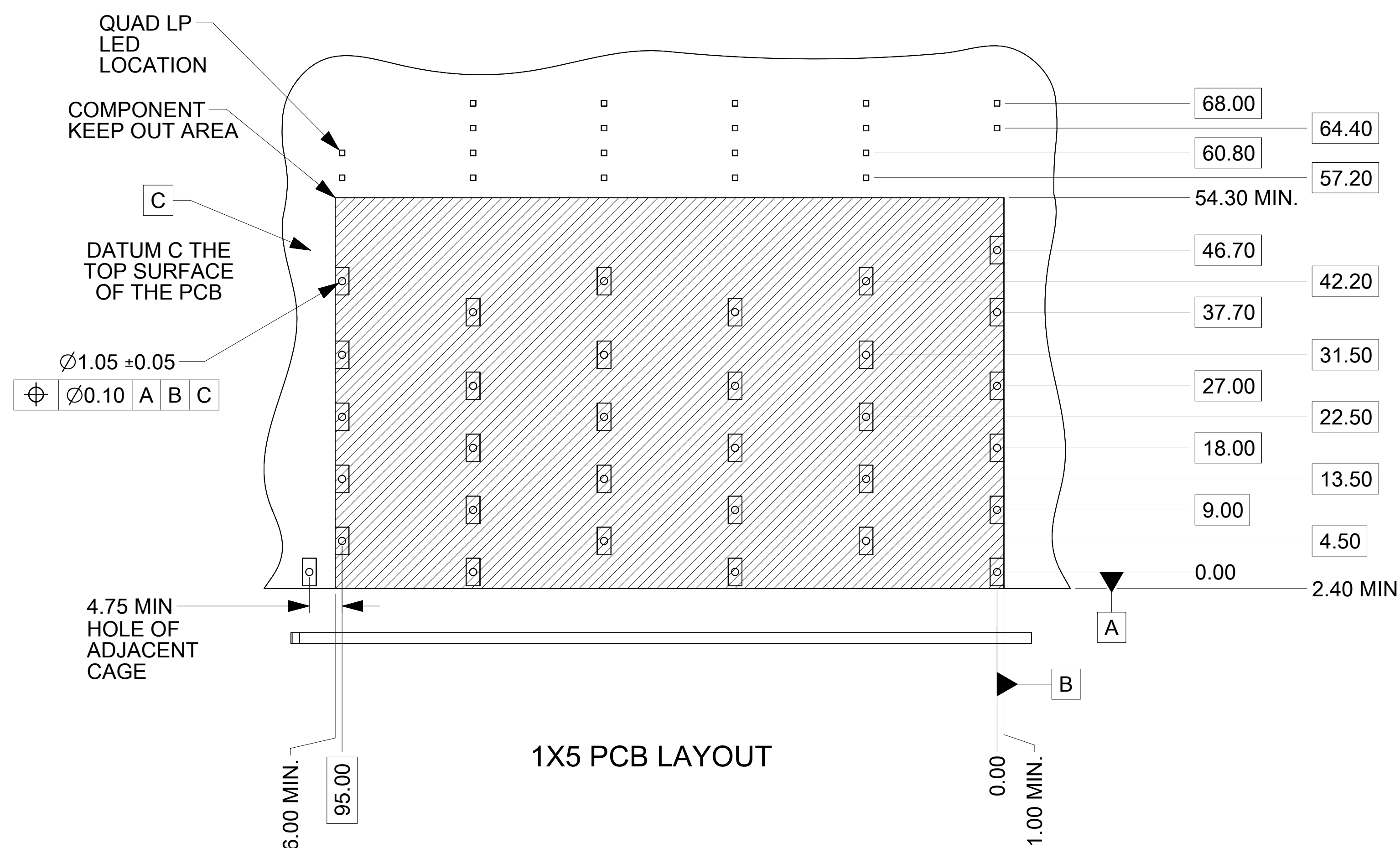
1X4 PCB LAYOUT



- NOTES:
- PADS AND VIAS GO TO CHASSIS GROUND. (RECOMMENDED PADS TO BE 2.0MM - 4.0MM SQUARE)
  - RECOMMENDED THRU HOLE PLATING INCLUDES HASL, OSP, OR IMMERSION Au, Ag OR Sn.
  - HOLE PATTERN REPEATS FOR EACH PORT. SPACING BETWEEN PORTS IS 19.00MM.
  - PCB THICKNESS VARIATION MUST BE CONSIDERED WHEN DETERMINING BEZEL OPENING, SIZE AND LOCATION.

SYMBOLS	THIS DRAWING CONTAINS INFORMATION THAT IS PROPRIETARY TO MOLEX ELECTRONIC TECHNOLOGIES, LLC AND SHOULD NOT BE USED WITHOUT WRITTEN PERMISSION		
	DIMENSION UNITS	SCALE	CURRENT REV DESC:
▽ = 0	mm	2:1	
▽ = 0	GENERAL TOLERANCES (UNLESS SPECIFIED)		
▽ = 0	ANGULAR TOL	± °	
▽ = 0	4 PLACES	±	
▽ = 0	3 PLACES	±	
▽ = 0	2 PLACES	±	
▽ = 0	1 PLACE	±	
▽ = 0	0 PLACES	±	
■ = 0	DRAFT WHERE APPLICABLE MUST REMAIN WITHIN DIMENSIONS	THIRD ANGLE PROJECTION	SERIES
▽ = 0			D-SIZE 111131
EC NO: 691051			ENHANCED ZQSFP+ NEARSTACK TO PICO CLASP
DRWN: ZDANDURAND 2020/02/20			
CHK'D: BCHEN06 2022/01/14			PRODUCT CUSTOMER DRAWING
APPR: BCHEN06 2022/01/14			
INITIAL REVISION:			DOCUMENT NUMBER
DRWN: RWHIPPLE 2017/08/09			
APPR: JALEXANDER 2017/10/05			1111310799
MATERIAL NUMBER		CUSTOMER	DOC TYPE
1111310799		GENERAL MARKET	PSD
SHEET NUMBER		DOC PART	REVISION
11 OF 17		000	H

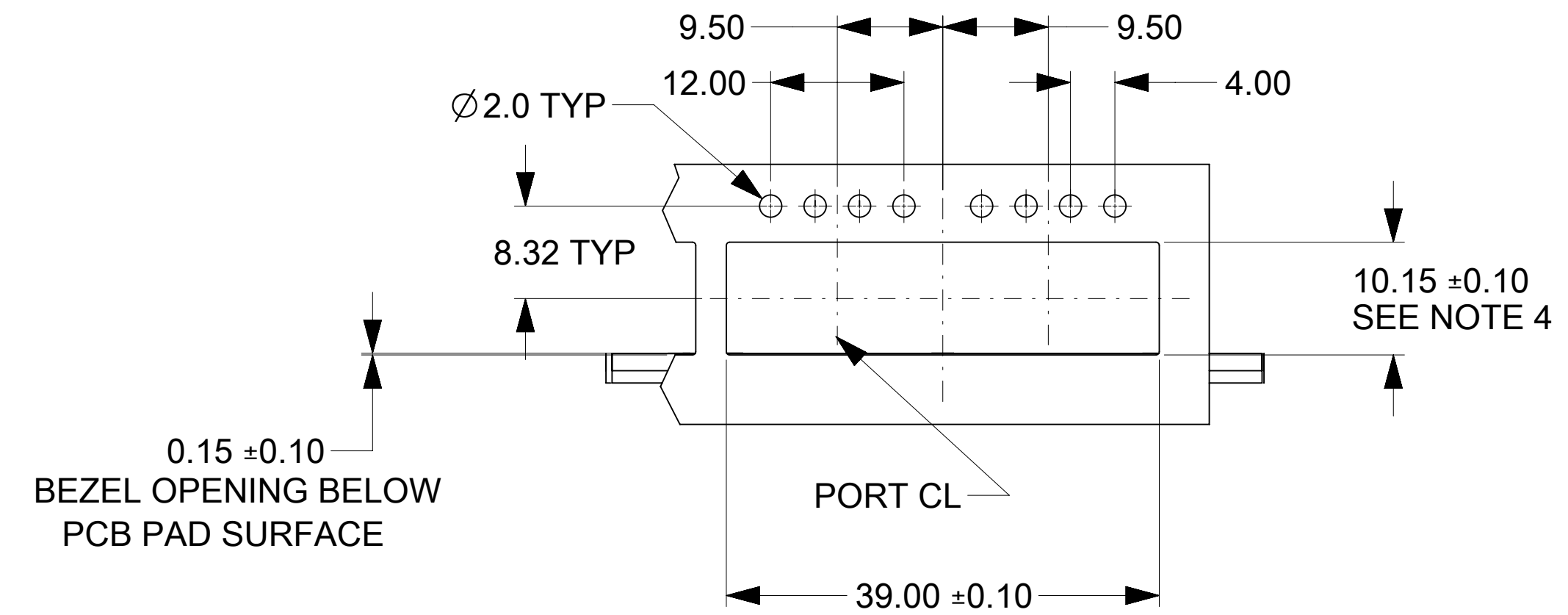
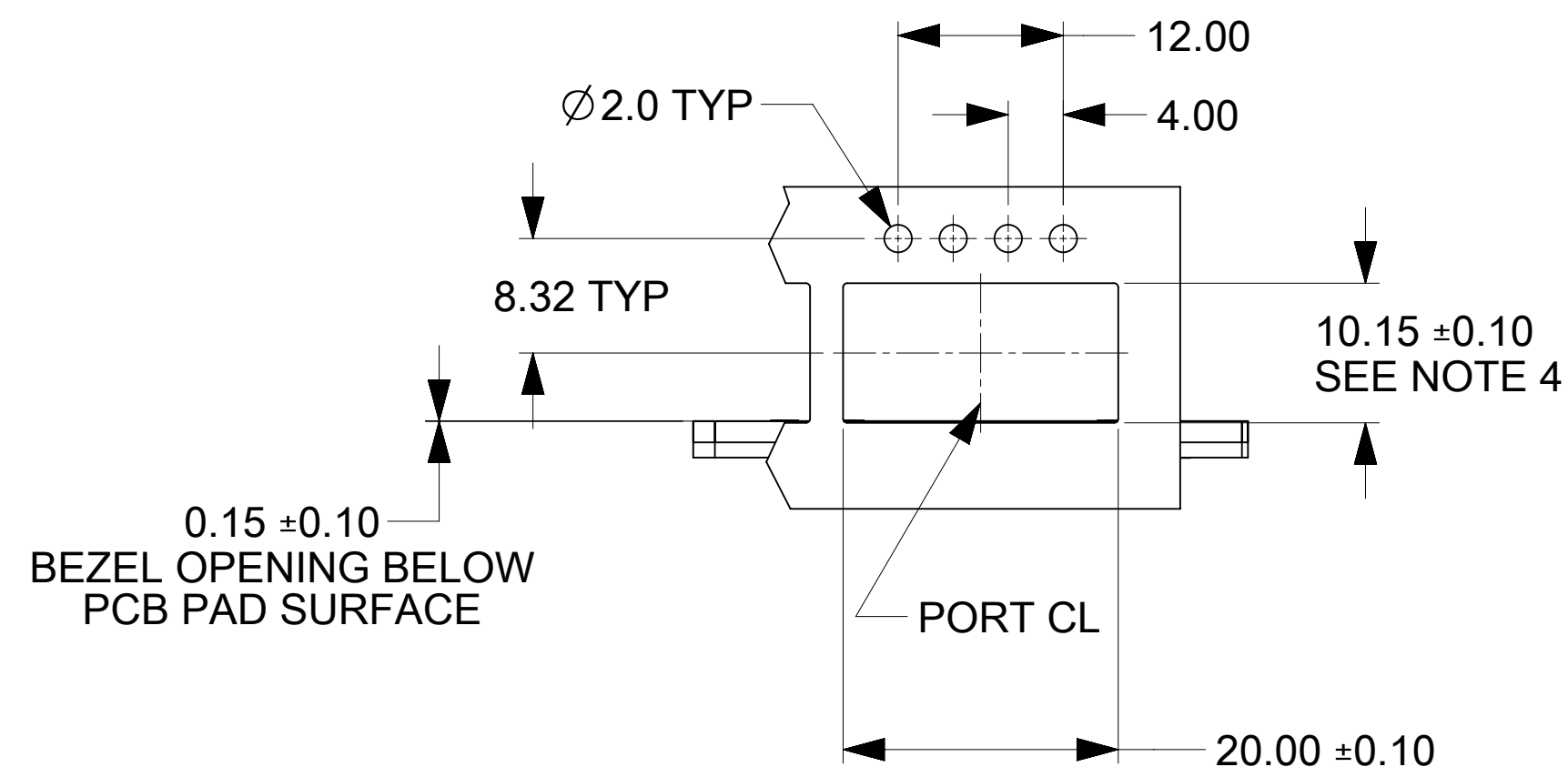
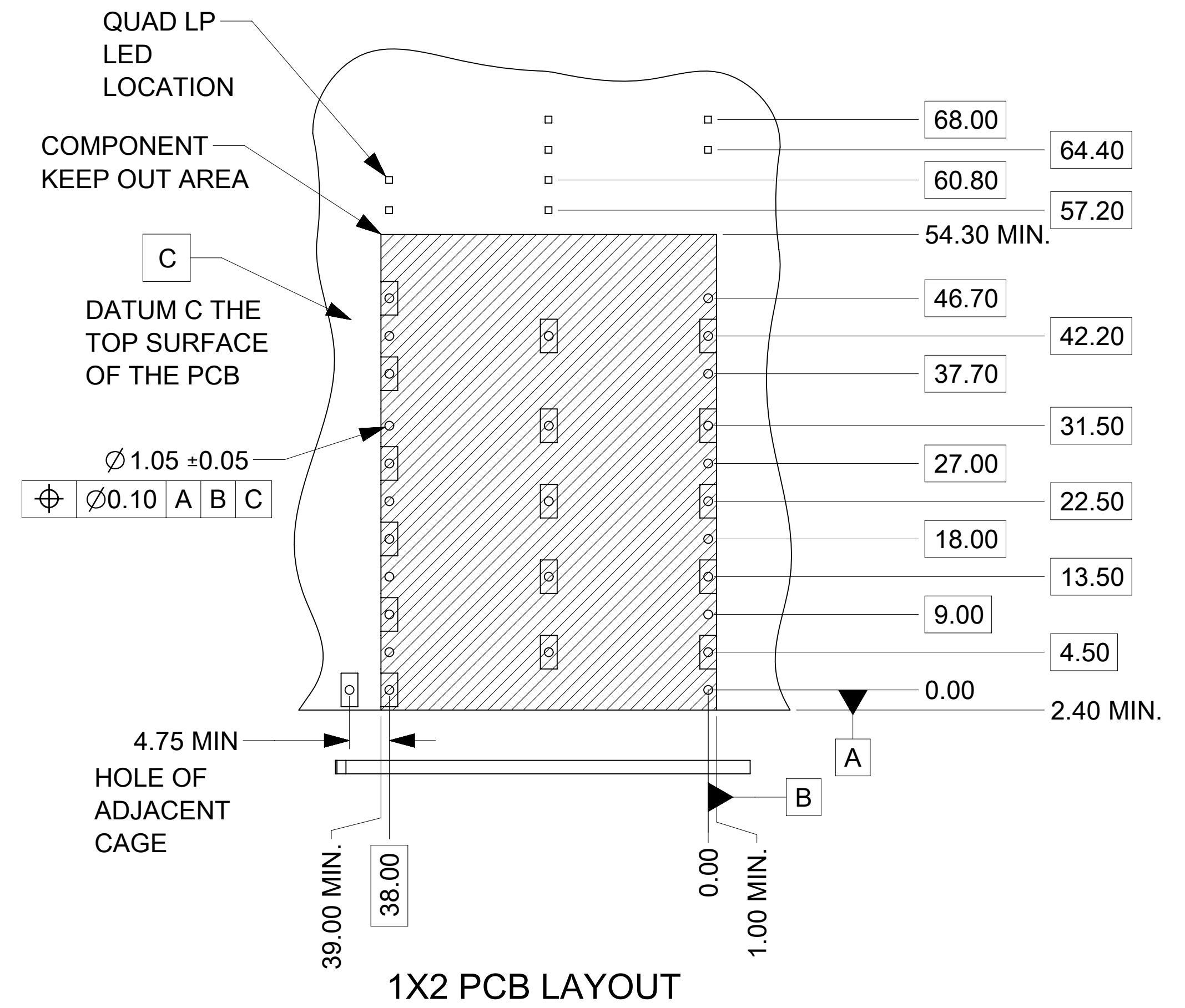
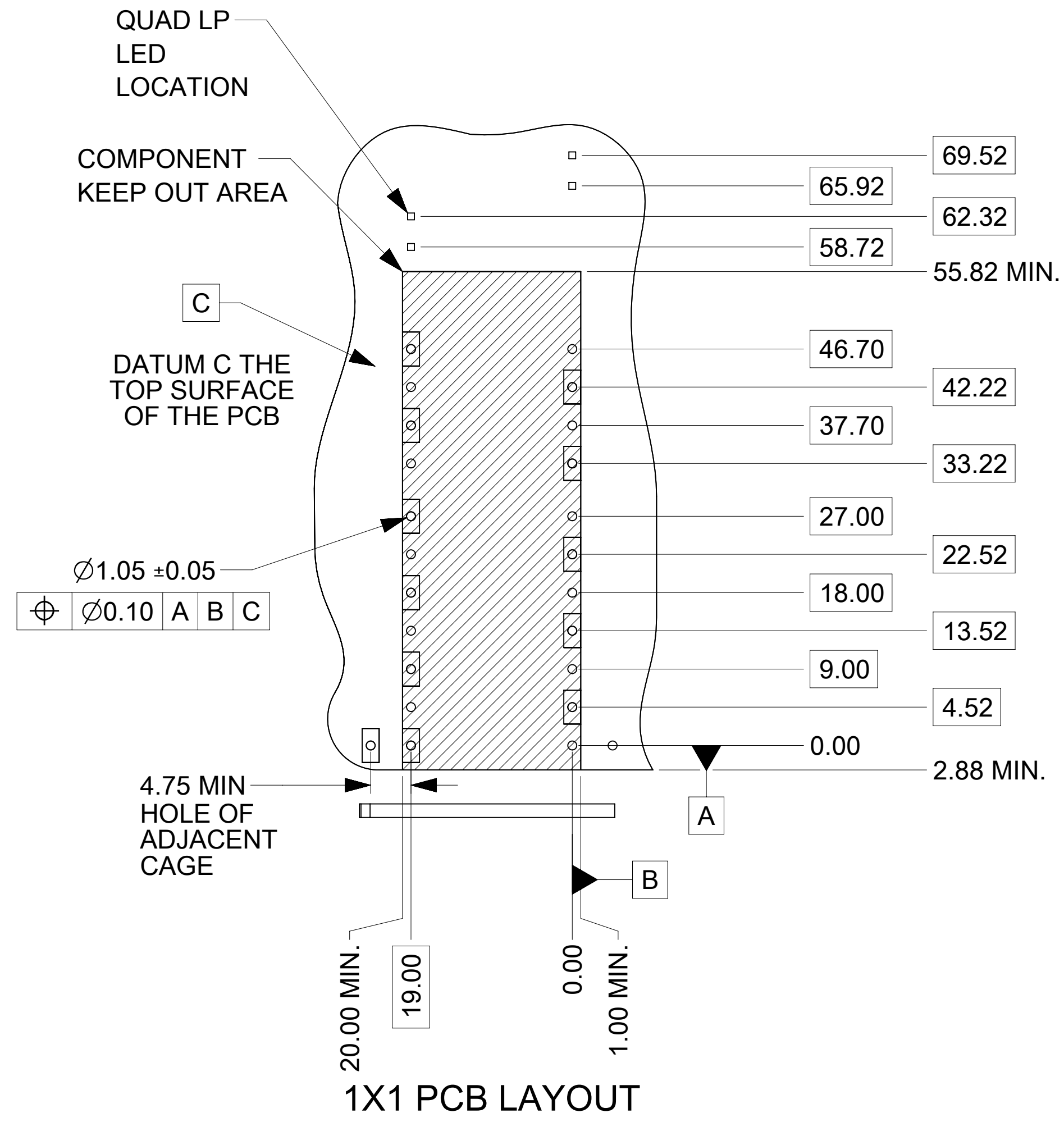
# PCB LAYOUT FOR SINGLE SIDED MOUNTING



- NOTES:
1. PADS AND VIAS GO TO CHASSIS GROUND. (RECOMMENDED PADS TO BE 2.0MM X 4.0MM SQUARE)
  2. RECOMMENDED THRU HOLE PLATING INCLUDES HASL, OSP, OR IMMERSION Au, Ag OR Sn.
  3. HOLE PATTERN REPEATS FOR EACH PORT. SPACING BETWEEN PORTS IS 19.00MM.
  4. PCB THICKNESS VARIATION MUST BE CONSIDERED WHEN DETERMINING BEZEL OPENING, SIZE AND LOCATION.

SYMBOLS	THIS DRAWING CONTAINS INFORMATION THAT IS PROPRIETARY TO MOLEX ELECTRONIC TECHNOLOGIES, LLC AND SHOULD NOT BE USED WITHOUT WRITTEN PERMISSION		
	DIMENSION UNITS	SCALE	CURRENT REV DESC:
$\nabla = 0$	mm	2:1	
$\nabla = 0$	GENERAL TOLERANCES (UNLESS SPECIFIED)		
$\nabla = 0$	ANGULAR TOL	$\pm$	$^{\circ}$
$\nabla = 0$	4 PLACES	$\pm$	
$\nabla = 0$	3 PLACES	$\pm$	
$\nabla = 0$	2 PLACES	$\pm$	
$\nabla = 0$	1 PLACE	$\pm$	
$\nabla = 0$	0 PLACES	$\pm$	
$\nabla = 0$	DRAFT WHERE APPLICABLE MUST REMAIN WITHIN DIMENSIONS	THIRD ANGLE PROJECTION	DRAWING SERIES
$\nabla = 0$		$\oplus$	D-SIZE 111131
EC NO: 691051		2020/02/20	ENHANCED ZQSFP+ NEARSTACK TO PICO CLASP
DRWN: ZDANDURAND		2022/01/14	
CHK'D: BCHEN06		2022/01/14	
APPR: BCHEN06		2022/01/14	PRODUCT CUSTOMER DRAWING
INITIAL REVISION:			DOCUMENT NUMBER
DRWN: RWHIPPLE		2017/08/09	1111310799
APPR: JALEXANDER		2017/10/05	DOC TYPE
			PSD
			DOC PART
			000
			REVISION
			H
MATERIAL NUMBER		CUSTOMER	SHEET NUMBER
1111310799		GENERAL MARKET	12 OF 17

# PCB LAYOUT FOR BELLY TO BELLY MOUNTING

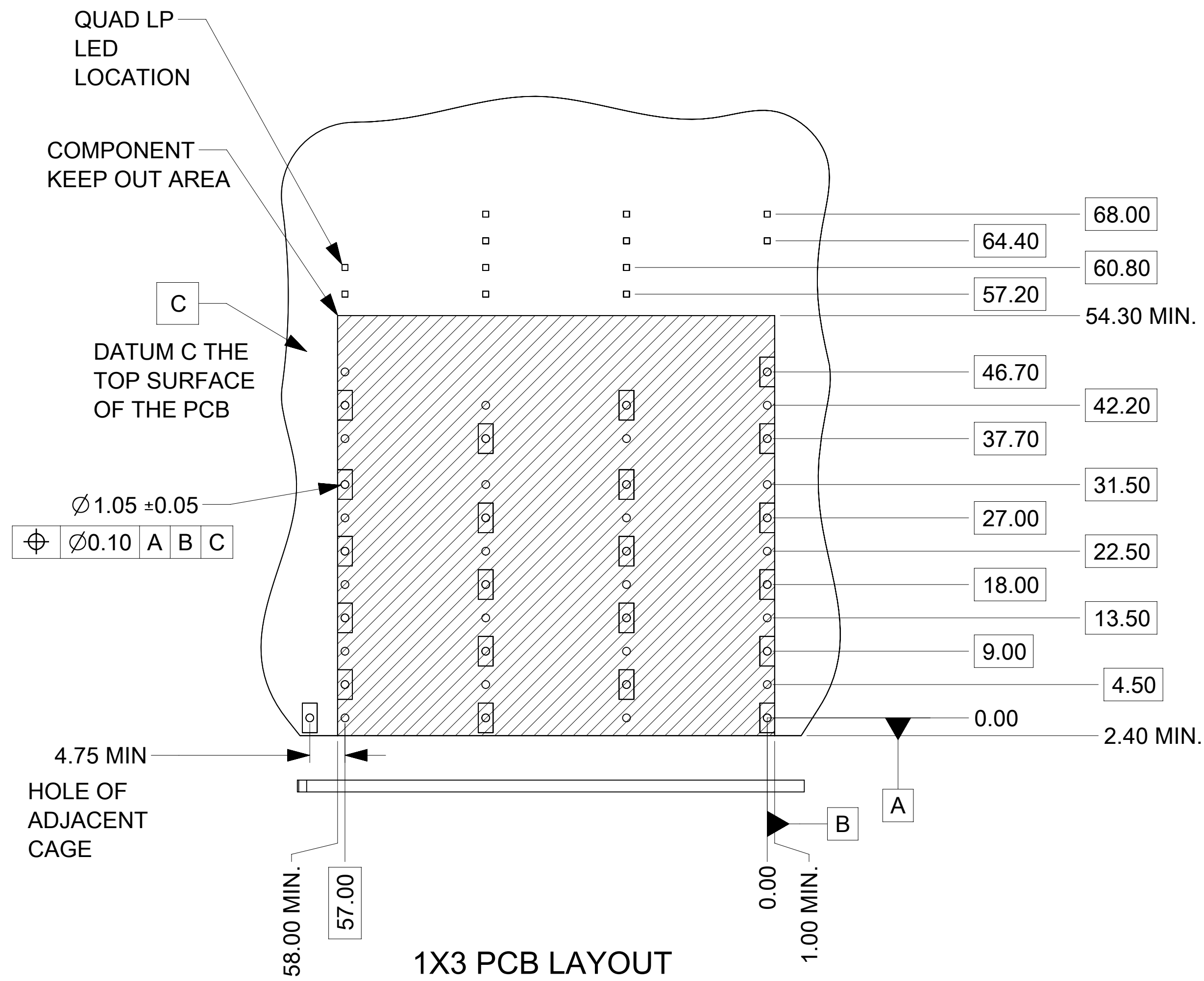


**NOTES:**

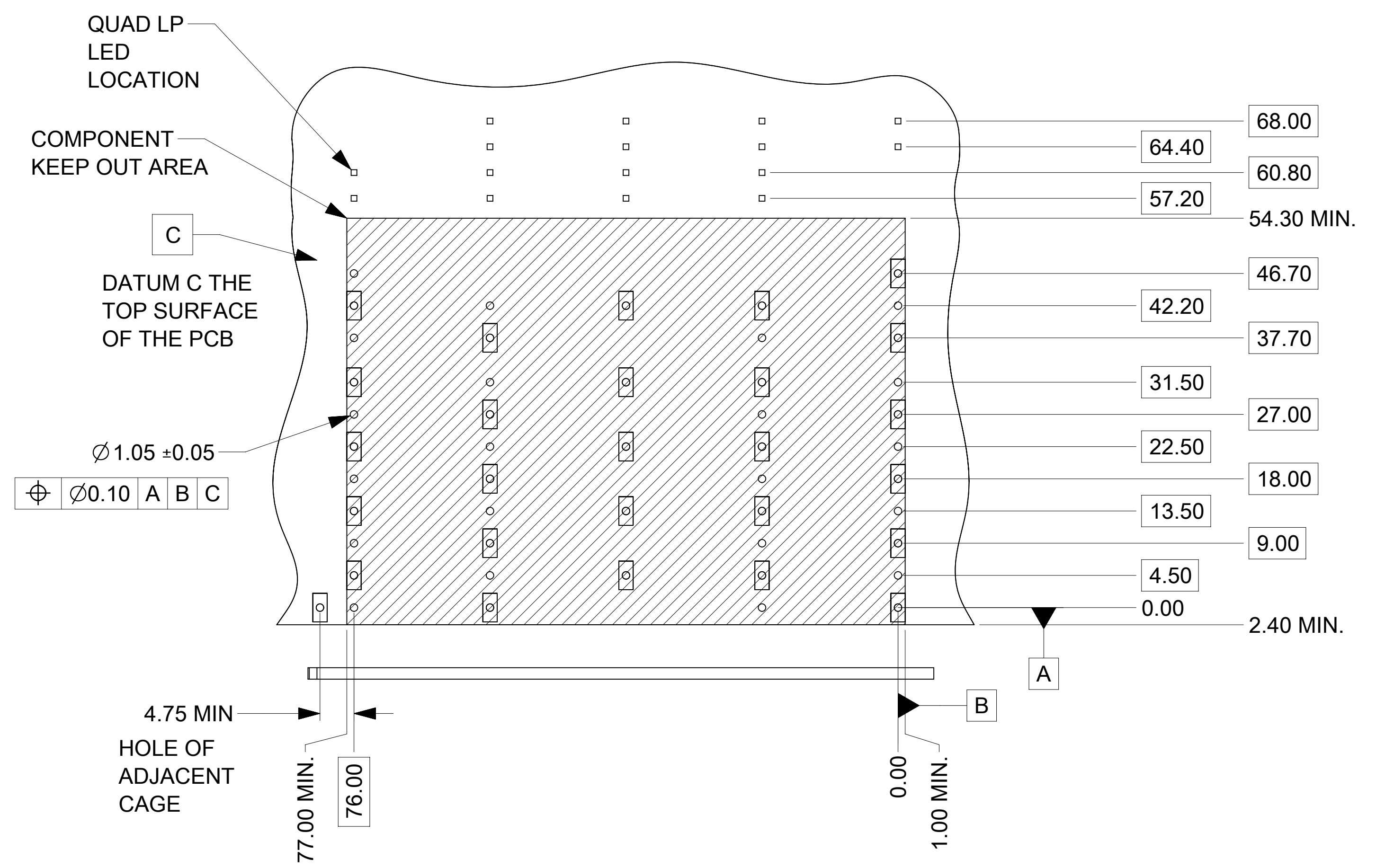
1. PADS AND VIAS GO TO CHASSIS GROUND. (RECOMMENDED PADS TO BE 2.0MM X 4.0MM SQUARE)
2. RECOMMENDED THRU HOLE PLATING INCLUDES HASL, OSP, OR IMMERSION Au, Ag OR Sn.
3. HOLE PATTERN REPEATS FOR EACH PORT. SPACING BETWEEN PORTS IS 19.00MM.
4. PCB THICKNESS VARIATION MUST BE CONSIDERED WHEN DETERMINING BEZEL OPENING, SIZE AND LOCATION.

SYMBOLS	THIS DRAWING CONTAINS INFORMATION THAT IS PROPRIETARY TO MOLEX ELECTRONIC TECHNOLOGIES, LLC AND SHOULD NOT BE USED WITHOUT WRITTEN PERMISSION		
	DIMENSION UNITS	SCALE	CURRENT REV DESC:
$\nabla = 0$	mm	2:1	
$\nabla = 0$	GENERAL TOLERANCES (UNLESS SPECIFIED)		
$\nabla = 0$	ANGULAR TOL	±	°
$\nabla = 0$	4 PLACES	±	
$\nabla = 0$	3 PLACES	±	
$\nabla = 0$	2 PLACES	±	
$\nabla = 0$	1 PLACE	±	
$\nabla = 0$	0 PLACES	±	
$\blacksquare = 0$	DRAFT WHERE APPLICABLE MUST REMAIN WITHIN DIMENSIONS		
$\nabla = 0$	THIRD ANGLE PROJECTION	DRAWING	SERIES
		D-SIZE	111131
		EC NO: 691051	2020/02/20
		DRWN: ZDANDURAND	2022/01/14
		CHK'D: BCHEN06	2022/01/14
		APPR: BCHEN06	2022/01/14
		INITIAL REVISION:	
		DRWN: RWHIPPLE	2017/08/09
		APPR: JALEXANDER	2017/10/05
DOCUMENT NUMBER		DOC TYPE	DOC PART
1111310799		PSD	000
MATERIAL NUMBER		CUSTOMER	SHEET NUMBER
1111310799		GENERAL MARKET	13 OF 17

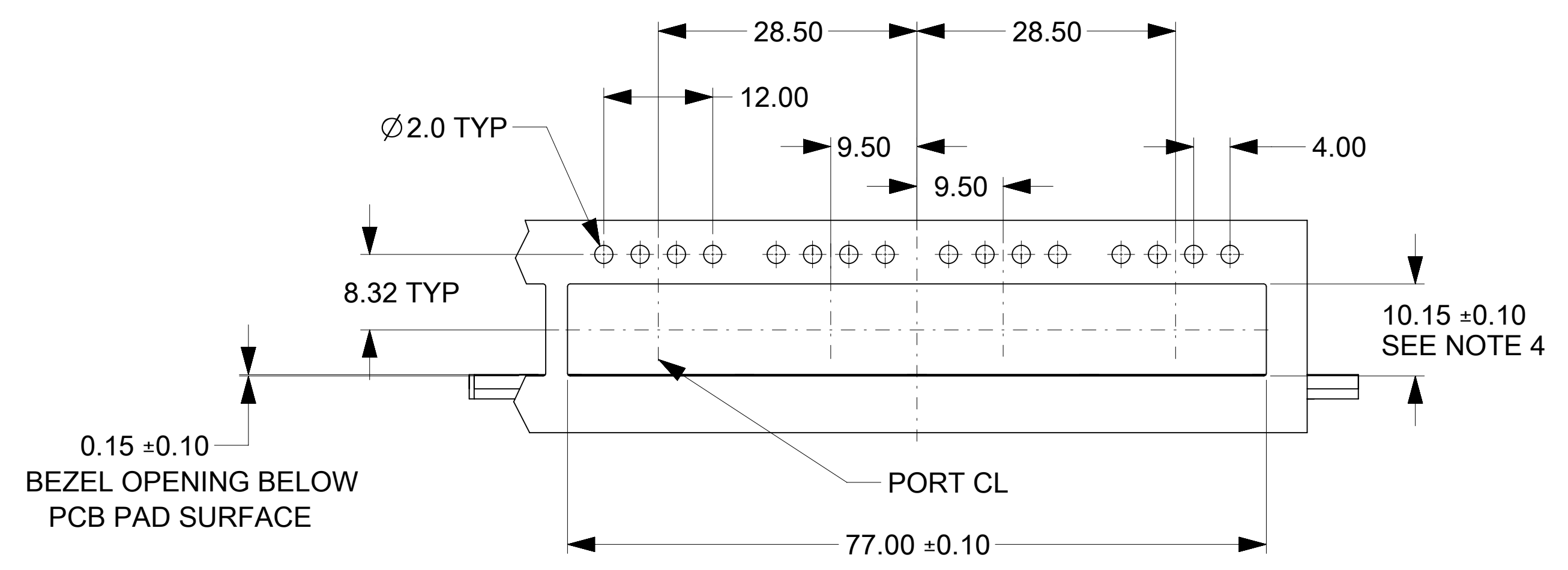
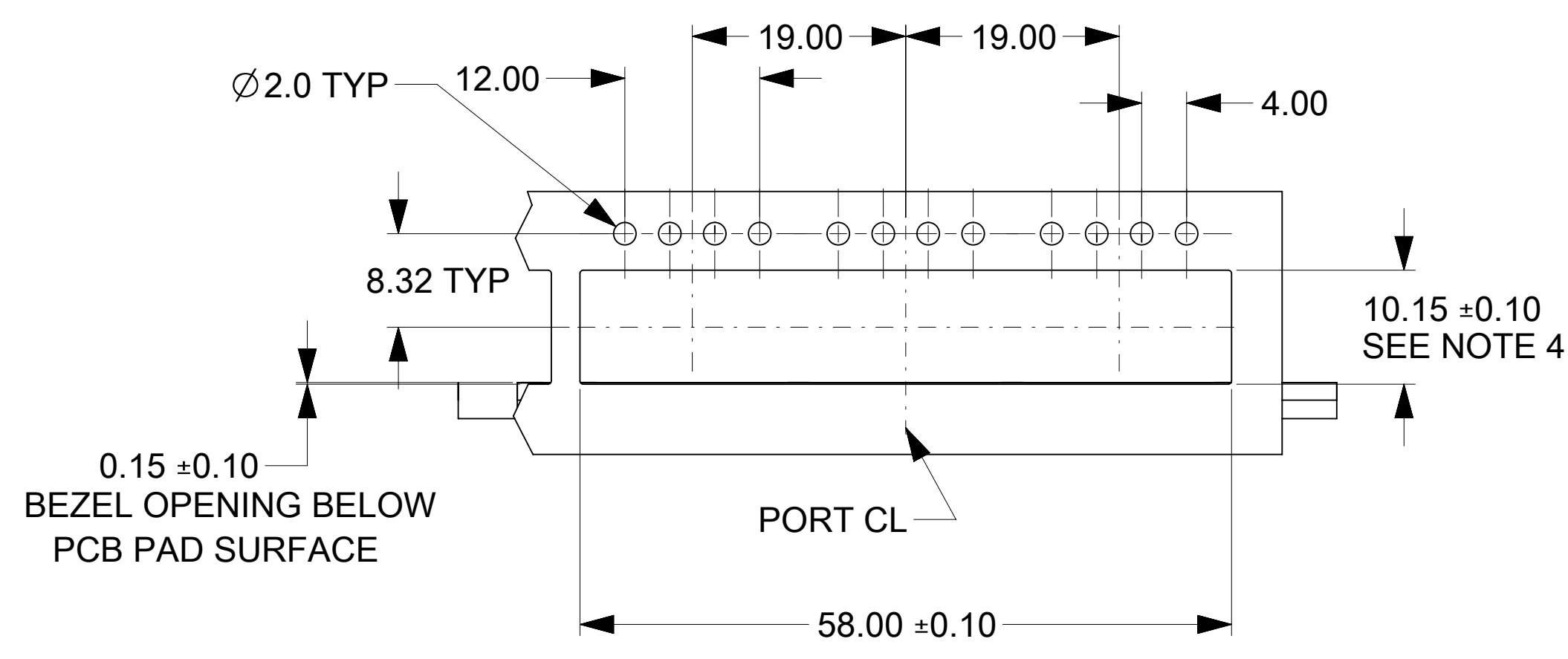
# PCB LAYOUT FOR BELLY TO BELLY MOUNTING



1X3 PCB LAYOUT



1X4 PCB LAYOUT



- NOTES:
1. PADS AND VIAS GO TO CHASSIS GROUND. (RECOMMENDED PADS TO BE 2.0MM - 4.0MM SQUARE)
  2. RECOMMENDED THRU HOLE PLATING INCLUDES HASL, OSP, OR IMMERSION Au, Ag OR Sn.
  3. HOLE PATTERN REPEATS FOR EACH PORT. SPACING BETWEEN PORTS IS 19.00MM.
  4. PCB THICKNESS VARIATION MUST BE CONSIDERED WHEN DETERMINING BEZEL OPENING, SIZE AND LOCATION.

SYMBOLS	THIS DRAWING CONTAINS INFORMATION THAT IS PROPRIETARY TO MOLEX ELECTRONIC TECHNOLOGIES, LLC AND SHOULD NOT BE USED WITHOUT WRITTEN PERMISSION		CURRENT REV DESC:	
	DIMENSION UNITS	SCALE		
▽ = 0	mm	2:1		
▽ = 0	GENERAL TOLERANCES (UNLESS SPECIFIED)			
▽ = 0	ANGULAR TOL	±	°	
▽ = 0	4 PLACES	±		
▽ = 0	3 PLACES	±		
▽ = 0	2 PLACES	±		
▽ = 0	1 PLACE	±		
▽ = 0	0 PLACES	±		
■ = 0	DRAFT WHERE APPLICABLE MUST REMAIN WITHIN DIMENSIONS		THIRD ANGLE PROJECTION	DRAWING
▽ = 0				D-SIZE
		SERIES	111131	
		MATERIAL NUMBER	1111310799	CUSTOMER
		GENERAL MARKET		
		SHEET NUMBER	14 OF 17	

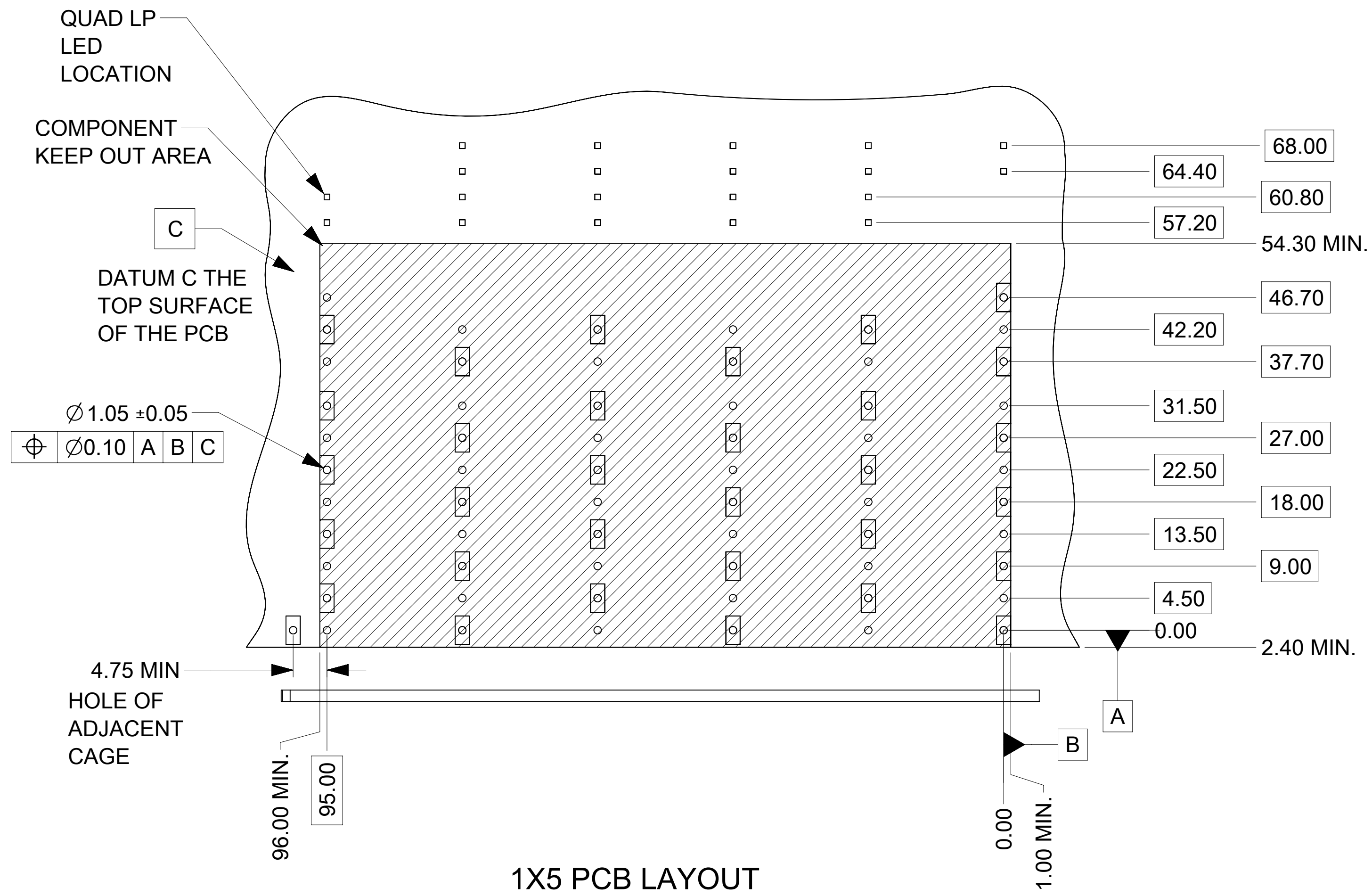
**molex**

ENHANCED ZQSFP+ NEARSTACK TO PICO CLASP

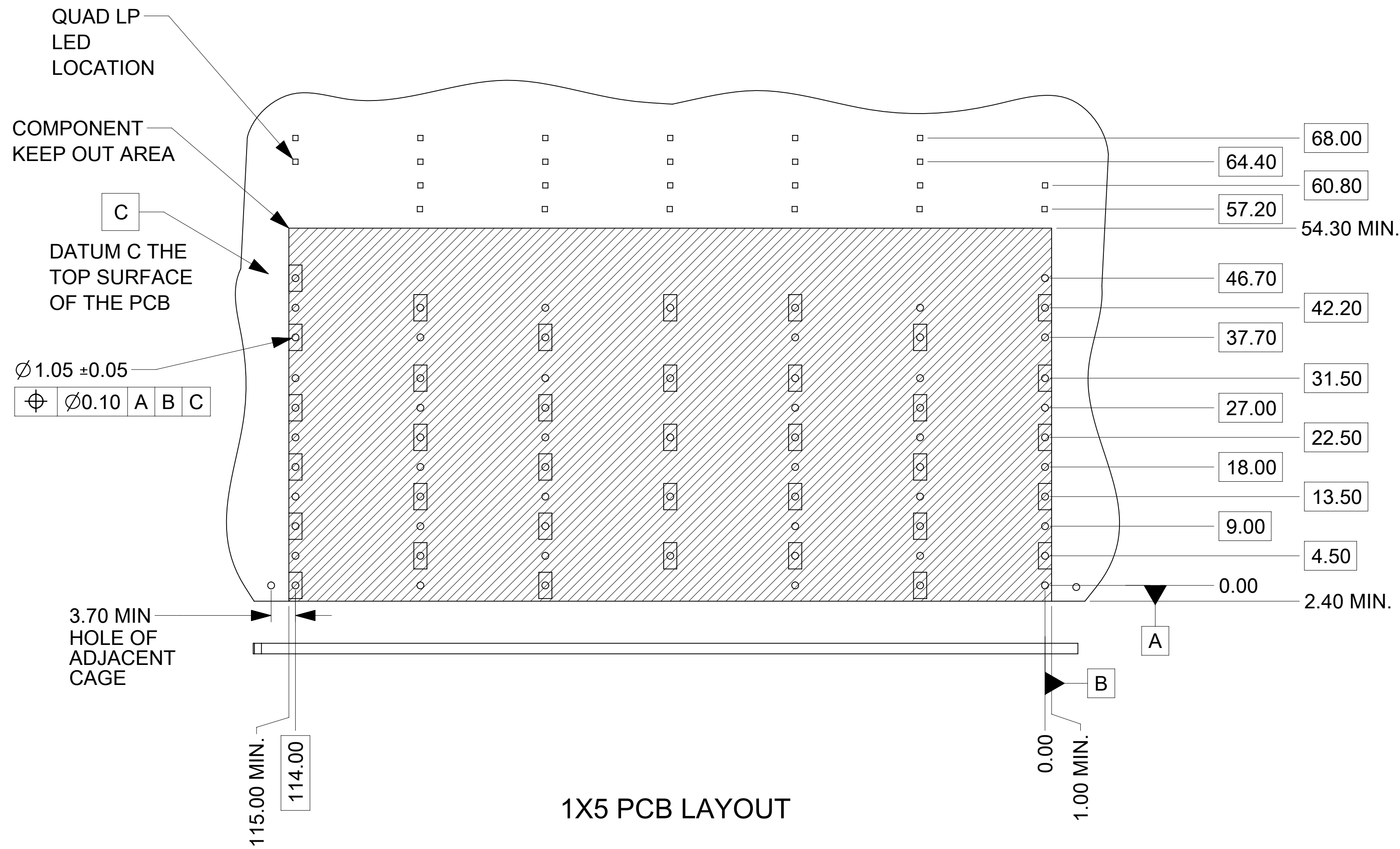
PRODUCT CUSTOMER DRAWING

DOCUMENT NUMBER: 1111310799  
DOC TYPE: PSD  
DOC PART: 000  
REVISION: H

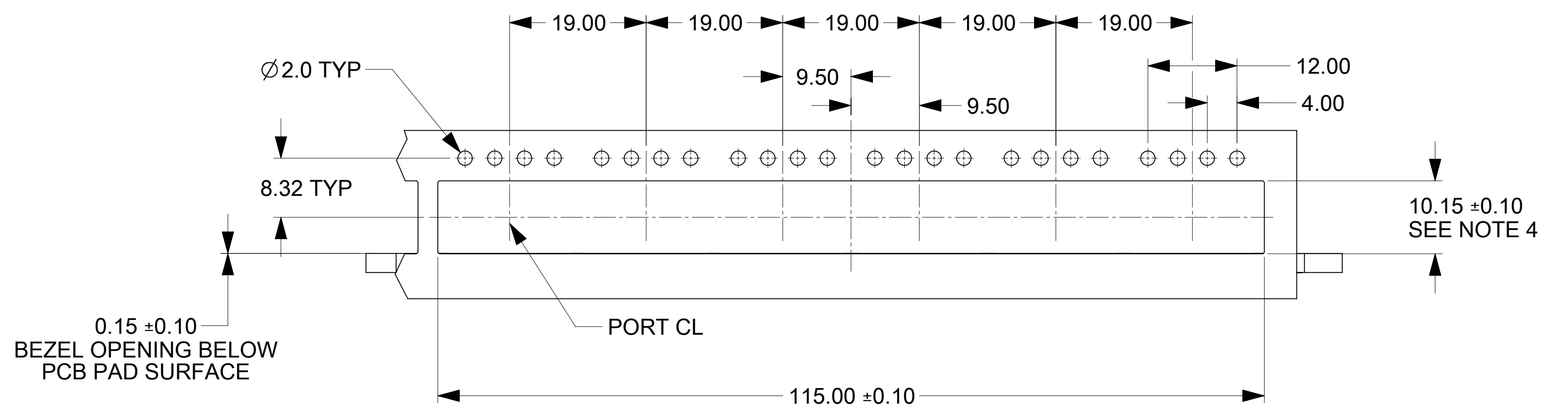
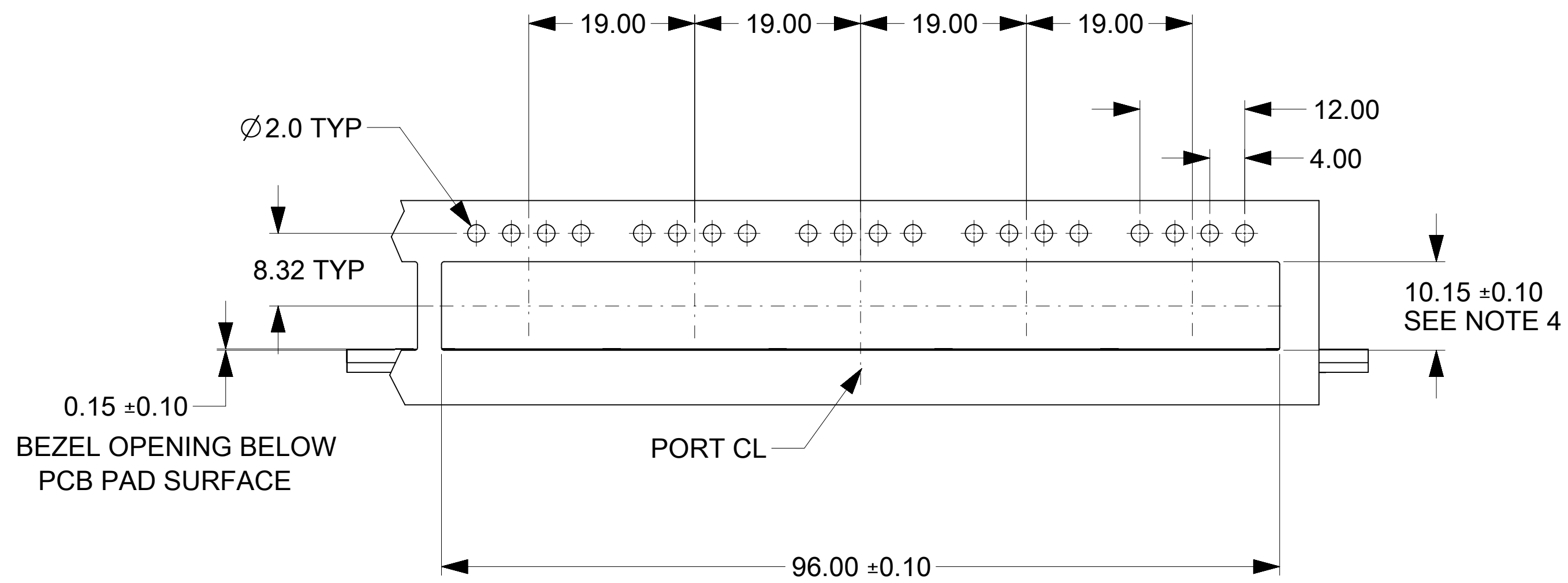
# PCB LAYOUT FOR BELLY TO BELLY MOUNTING



1X5 PCB LAYOUT



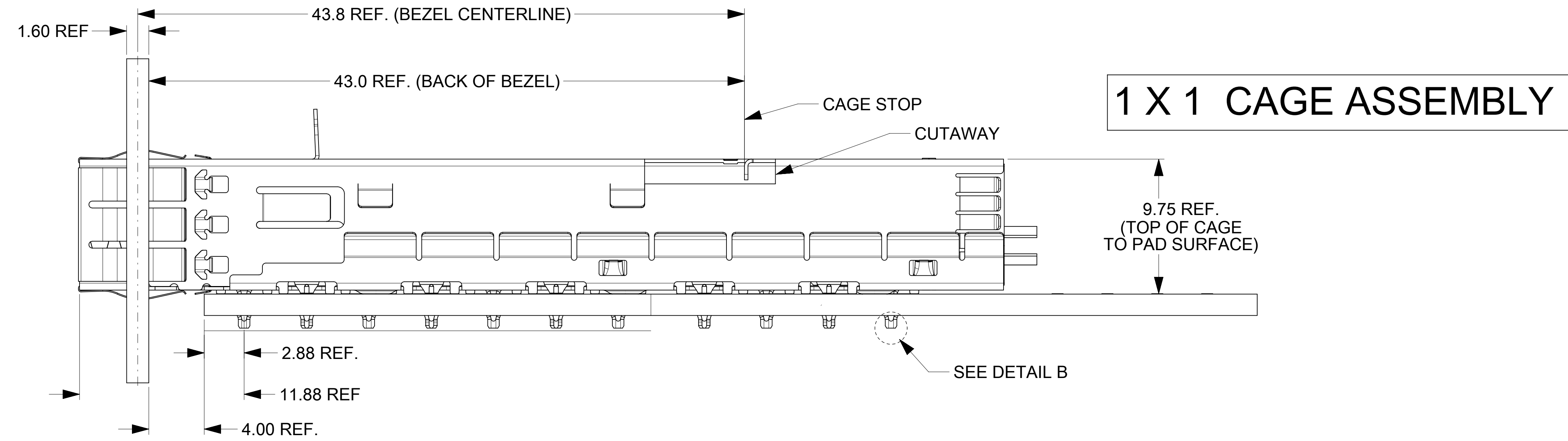
1X5 PCB LAYOUT



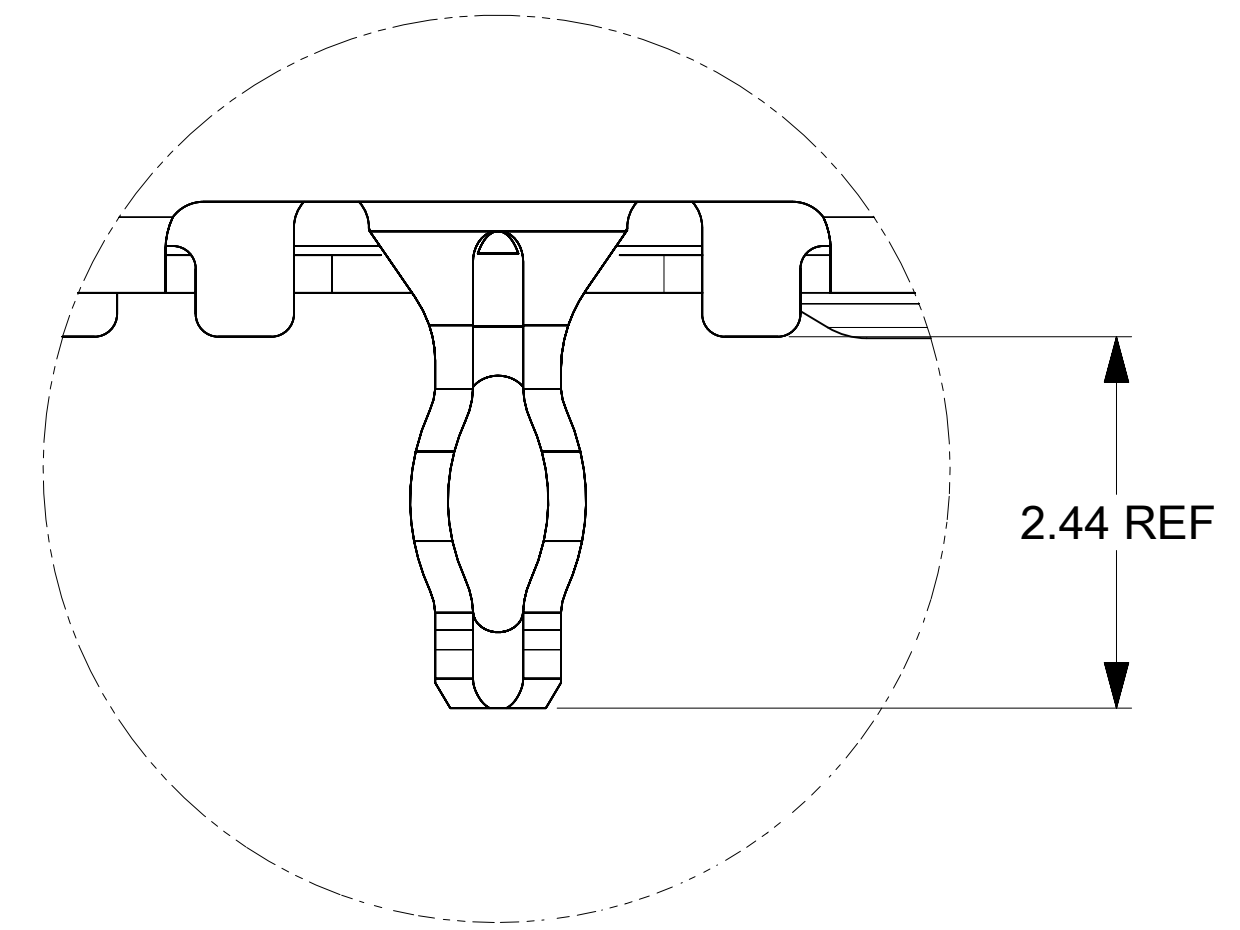
**NOTES:**

1. PADS AND VIAS GO TO CHASSIS GROUND. (RECOMMENDED PADS TO BE 2.0MM - 4.0mm SQUARE)
2. RECOMMENDED THRU HOLE PLATING INCLUDES HASL, OSP, OR IMMERSION Au, Ag OR Sn.
3. HOLE PATTERN REPEATS FOR EACH PORT. SPACING BETWEEN PORTS IS 19.00MM.
4. PCB THICKNESS VARIATION MUST BE CONSIDERED WHEN DETERMINING BEZEL OPENING, SIZE AND LOCATION.

SYMBOLS	THIS DRAWING CONTAINS INFORMATION THAT IS PROPRIETARY TO MOLEX ELECTRONIC TECHNOLOGIES, LLC AND SHOULD NOT BE USED WITHOUT WRITTEN PERMISSION		CURRENT REV DESC:		<b>molex</b>
	DIMENSION UNITS	SCALE			
▽ = 0	mm	1:1			ENHANCED ZQSFP+ NEARSTACK TO PICO CLASP
▽ = 0	GENERAL TOLERANCES (UNLESS SPECIFIED)				
▽ = 0	ANGULAR TOL ± °		EC NO: 691051		PRODUCT CUSTOMER DRAWING
▽ = 0	4 PLACES ±		DRWN: ZDANDURAND 2020/02/20		
▽ = 0	3 PLACES ±		CHK'D: BCHEN06 2022/01/14		DOCUMENT NUMBER
▽ = 0	2 PLACES ±		APPR: BCHEN06 2022/01/14		
▽ = 0	1 PLACE ±		INITIAL REVISION:		1111310799
▽ = 0	0 PLACES ±		DRWN: RWHIPPLE 2017/08/09		
▽ = 0	DRAFT WHERE APPLICABLE MUST REMAIN WITHIN DIMENSIONS		APPR: JALEXANDER 2017/10/05		DOC TYPE
▽ = 0	THIRD ANGLE PROJECTION		DRAWING		DOC PART
▽ = 0	D-SIZE		SERIES		REVISION
			MATERIAL NUMBER		PSD 000 H
			CUSTOMER		GENERAL MARKET
			SHEET NUMBER		15 OF 17

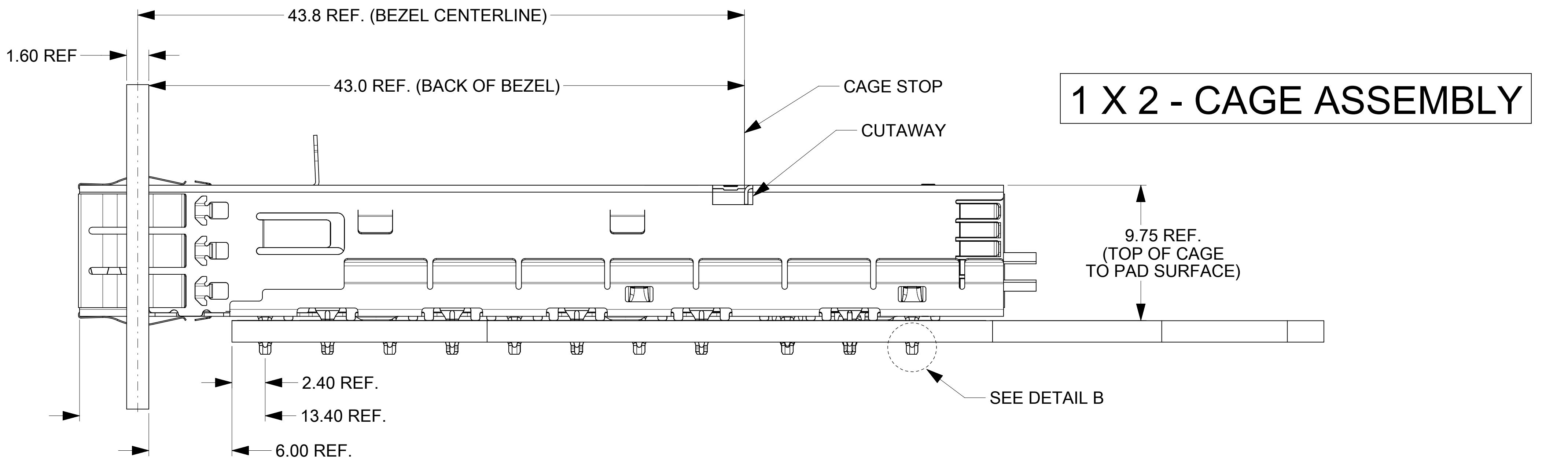


**1 X 1 CAGE ASSEMBLY**

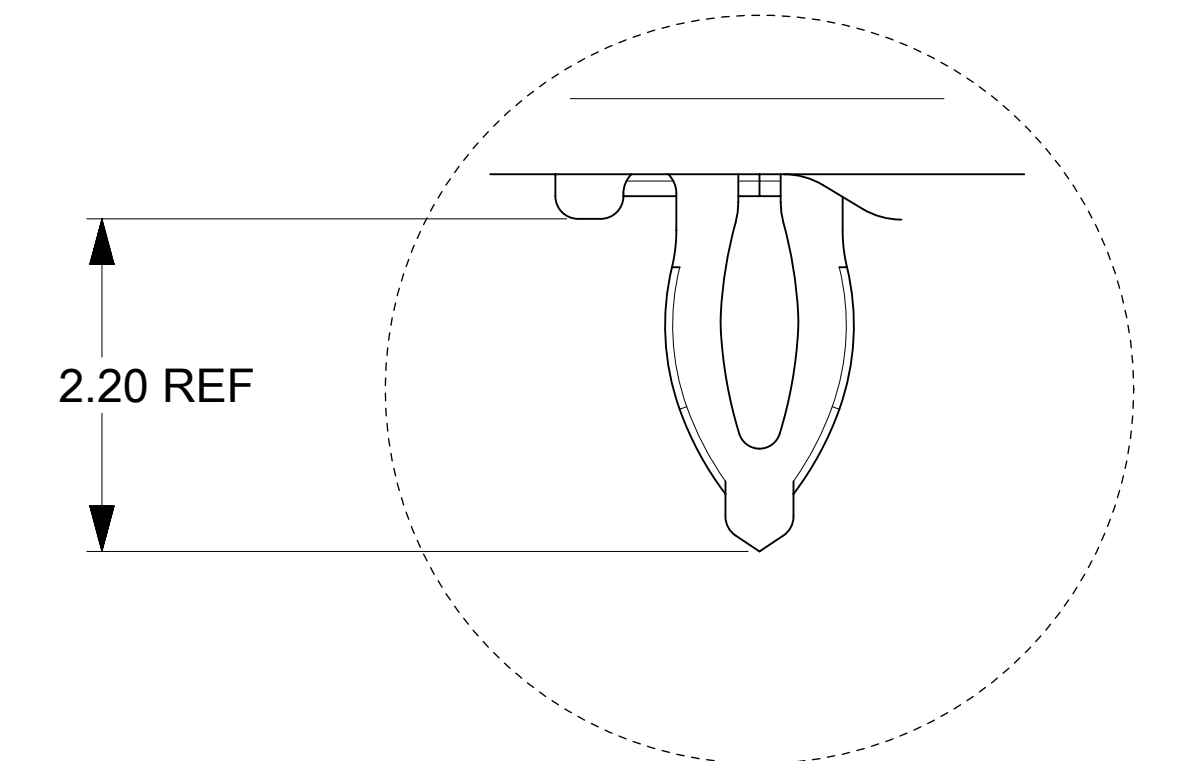


CAGE ASSEMBLIES 1X1 AND 1X2 USE 3D PINS

DETAIL B  
SCALE 20:1

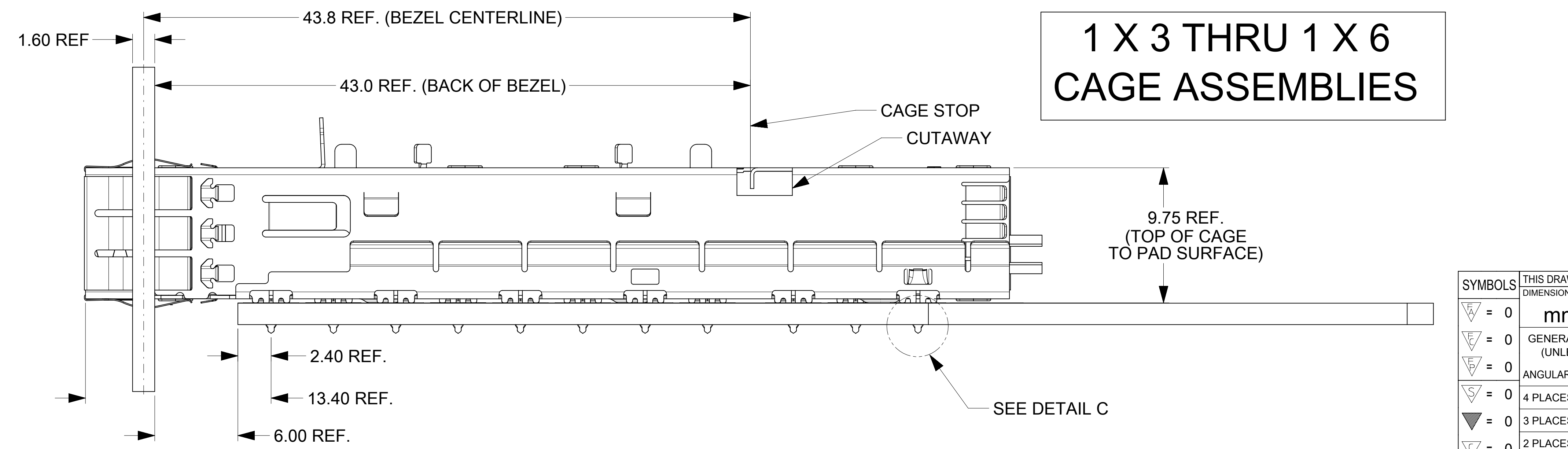


**1 X 2 - CAGE ASSEMBLY**



CAGE ASSEMBLIES 1X3 - 1X6 AND 1X2 USE 2D PINS

DETAIL C  
SCALE 20:1



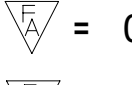
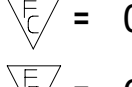
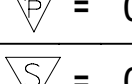

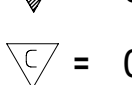
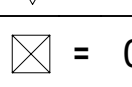

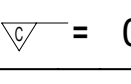

**1 X 3 THRU 1 X 6  
CAGE ASSEMBLIES**

THIS DRAWING CONTAINS INFORMATION THAT IS PROPRIETARY TO MOLEX ELECTRONIC TECHNOLOGIES, LLC AND SHOULD NOT BE USED WITHOUT WRITTEN PERMISSION											
SYMBOLS		DIMENSION UNITS		SCALE		CURRENT REV DESC:					
▽ = 0		mm		1:1		EC NO: 691051					
▽ = 0		GENERAL TOLERANCES (UNLESS SPECIFIED)				DRWN: ZDANDURAND		2020/02/20		ENHANCED ZQSFP+ NEARSTACK TO PICO CLASP	
▽ = 0		ANGULAR TOL ± °				CHK'D: BCHEN06		2022/01/14		PRODUCT CUSTOMER DRAWING	
▽ = 0		4 PLACES ±				APPR: BCHEN06		2022/01/14		DOCUMENT NUMBER	
▽ = 0		3 PLACES ±				INITIAL REVISION:				DOC TYPE	
▽ = 0		2 PLACES ±				DRWN: RWHIPPLE				DOC PART	
▽ = 0		1 PLACE ±				APPR: JALEXANDER				REVISION	
▽ = 0		0 PLACES ±				2017/08/09				1111310799	
▽ = 0		DRAFT WHERE APPLICABLE MUST REMAIN WITHIN DIMENSIONS				THIRD ANGLE PROJECTION		SERIES		MATERIAL NUMBER	
▽ = 0		D-SIZE		111131		1111310799		CUSTOMER		SHEET NUMBER	
▽ = 0		D-SIZE		111131		GENERAL MARKET		16 OF 17			



REVISION HISTORY

DATE	REV	DESCRIPTION
10/04/2017	A	INITIAL RELEASE
10/06/2017	B	CORRECTION BASIC DIMENSIONS ON 1X1 PCB LAYOUT VIEW, SHEET 4
12/12/2017	C	1. CLARIFIED WIRING DIAGRAM 2. MODIFIED VIEWS FOR CLARITY 3. ADDED HEAT SINK INFOMATION
02/08/2018	C1	1. SHEET 13, UPDATED VIEWS FOR CLARITY
07/18/2018	D	1. ADDED PART NUMBER 1111311945. SHEET 2, PART NUMBER TABLE. 2. ADDED REF DIMENSIONS ON LIGHT PIPES, SHEET 1. 3. ADDED PICO CLASP OVERMOLD NEAR CONNECTOR FOR REPRESENTATION OF FINAL ASSEMBLY.
08/07/2018	E	1. UPDATED VIEW ON 1X2 CAGE ASSEMBLY. SHEET 16. 2. UPDATED CAGE HEIGHT ON 1X3-1X6 CAGE ASSEMBLIES. SHEET 16, ZONE C10. 3. UPDATED PIN REF HEIGHTS. SHEET 16, ZONES E16 AND J2. 4. UPDATED DATUM A REFERENCE ON 1X1 PCB LAYOUT. SHEET 10, ZONE F15. 5. ADDED NEARSTACK CONNECTOR VIEW. SHEET 1. 6. ADDED LIGHT PIPE OPTIONS. SHEET 8. 7. ADDED COMPONENT KEEPOUT AREA MIN. DIMENSIONS. PCP LAYOUT SHEETS.
06/19/2019	F	1. UPDATED SHEETS TO REMOVE PRE-RELEASE SIGN 2. ADDED NOTE 8 AND LASER ETCHING TO SHEET 1
01/09/2020	G	1. ADDED NEARSTACK PULLBALE ON SHEET 1
2021/12/31	H	1. ADDED F/G PN FOR NEARSTACK GEN 2.0 2. UPADTE NOTES 6

<b>SYMBOLS</b>  = 0  = 0  = 0  = 0  = 0  = 0  = 0  = 0	THIS DRAWING CONTAINS INFORMATION THAT IS PROPRIETARY TO MOLEX ELECTRONIC TECHNOLOGIES, LLC AND SHOULD NOT BE USED WITHOUT WRITTEN PERMISSION		DIMENSION UNITS: <b>mm</b>		SCALE: <b>1:1</b>		CURRENT REV DESC:									
	GENERAL TOLERANCES (UNLESS SPECIFIED)		EC NO: 691051		DRWN: ZDANDURAND 2020/02/20		2022/01/14						ENHANCED ZQSFP+ NEARSTACK TO PICO CLASP			
	ANGULAR TOL ± °		DRWN: RWHIPPLE 2017/08/09		APPR: BCHEN06 2022/01/14		INITIAL REVISION:		PRODUCT CUSTOMER DRAWING							
	4 PLACES ±		DRWN: JALEXANDER 2017/10/05		APPR: JALEXANDER 2017/10/05		DRWN: RWHIPPLE 2017/08/09		DOCUMENT NUMBER: <b>1111310799</b>		DOC TYPE: PSD		DOC PART: 000		REVISION: H	
	3 PLACES ±		DRWN: RWHIPPLE 2017/08/09		APPR: JALEXANDER 2017/10/05		APPR: JALEXANDER 2017/10/05		MATERIAL NUMBER:		CUSTOMER:		SHEET NUMBER:			
	2 PLACES ±		DRWN: RWHIPPLE 2017/08/09		APPR: JALEXANDER 2017/10/05		DRAFT WHERE APPLICABLE MUST REMAIN WITHIN DIMENSIONS		THIRD ANGLE PROJECTION		DRAWING: <b>D-SIZE</b>		SERIES: <b>111131</b>		GENERAL MARKET	
	1 PLACE ±		DRWN: RWHIPPLE 2017/08/09		APPR: JALEXANDER 2017/10/05		DRAFT WHERE APPLICABLE MUST REMAIN WITHIN DIMENSIONS		THIRD ANGLE PROJECTION		DRAWING: <b>D-SIZE</b>		SERIES: <b>111131</b>		GENERAL MARKET	
	0 PLACES ±		DRWN: RWHIPPLE 2017/08/09		APPR: JALEXANDER 2017/10/05		DRAFT WHERE APPLICABLE MUST REMAIN WITHIN DIMENSIONS		THIRD ANGLE PROJECTION		DRAWING: <b>D-SIZE</b>		SERIES: <b>111131</b>		GENERAL MARKET	
	0 PLACES ±		DRWN: RWHIPPLE 2017/08/09		APPR: JALEXANDER 2017/10/05		DRAFT WHERE APPLICABLE MUST REMAIN WITHIN DIMENSIONS		THIRD ANGLE PROJECTION		DRAWING: <b>D-SIZE</b>		SERIES: <b>111131</b>		GENERAL MARKET	