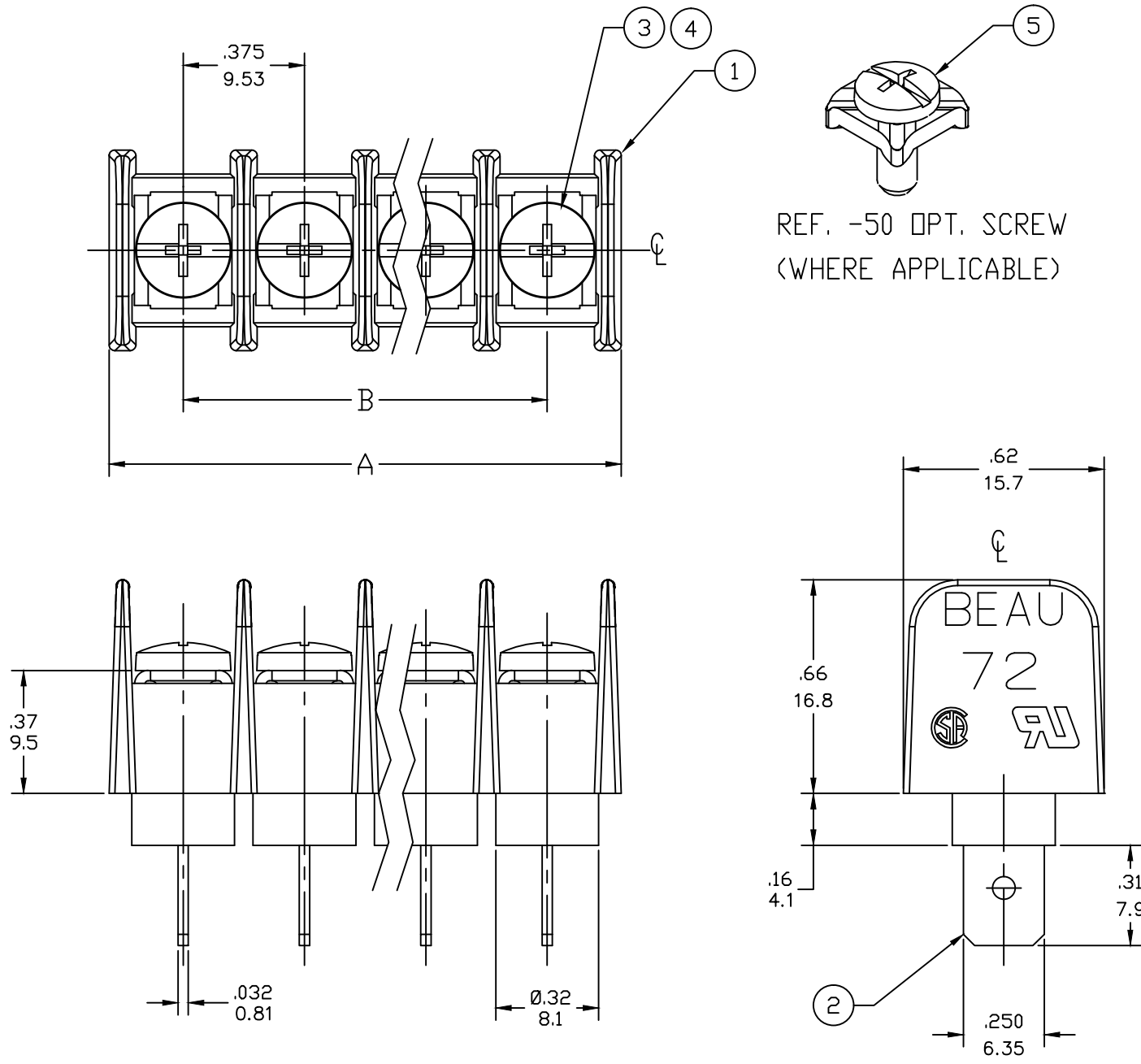


PART NUMBER DATA							
CIRCUITS	A IN	mm	B IN	mm	ASSEMBLY -STD	ASSEMBLY -49 OPT	ASSEMBLY -50 OPT
2	.83	21.1	.375	9.52			
3	1.21	30.7	.750	19.05			387291664
4	1.58	40.2	1.125	28.58			
5	1.96	49.7	1.500	38.10			
6	2.33	59.2	1.875	47.63			
7	2.71	68.8	2.250	57.15			
8	3.08	78.3	2.625	66.68			
9	3.46	87.8	3.000	76.20			
10	3.83	97.3	3.375	85.73			
11	4.21	106.9	3.750	95.25			
12	4.58	116.4	4.125	104.78			
13	4.96	125.9	4.500	114.30			
14	5.33	135.4	4.875	123.83			
15	5.71	145.0	5.250	133.35			
16	6.08	154.5	5.625	142.88			
17	6.46	164.0	6.000	152.40			
18	6.83	173.5	6.375	161.93			
19	7.21	183.1	6.750	171.45			
20	7.58	192.6	7.125	180.98			
21	7.96	202.1	7.500	190.50			
22	8.33	211.6	7.875	200.03			387291542
23	8.71	221.2	8.250	209.55			
24	9.08	230.7	8.625	219.08			
25	9.46	240.2	9.000	228.60			
26	9.83	249.7	9.375	238.13			



NOTES:
 1. MATERIAL: SEE TABLE
 2. FINISHES: SEE TABLE
 3. PRODUCT SPEC: PS-38710-001
 4. PART IS RoHS COMPLIANT
 5. DIMS. SHOWN ARE FOR REFERENCE ONLY

ITEM	QTY.	DESCRIPTION	MATERIAL	FINISH
5	XX	SCREW&WASHER, #6-32X.25, PAN, PH/SL (-50 OPT)	STEEL	ZINC/CL CHROMATE
4	XX	SCREW, #6-32X.25, BHD, PH/SL (-49 OPT)	BRASS	NICKEL
3	XX	SCREW, #6-32X.25, BHD, PH/SL (STD.)	STEEL	ZINC/CL CHROMATE
2	XX	TERMINAL, FAST-TAB, .250	BRASS	TIN PLATE
1	1	INSULATOR, SR W/MTG, .250 SLOT	PBT	BLACK

RELEASED EC NO: IPG2015-0883 DRWN: RSTONE 2014/11/10 CHKD: B RUPERT APPR: JFMURPHY 2015/04/22	QUALITY SYMBOLS	GENERAL TOLERANCES (UNLESS SPECIFIED)	DIMENSION STYLE	SCALE	DESIGN UNITS	THIRD ANGLE PROJECTION															
	$\nabla=0$ $\sphericalangle=0$	<table border="1"> <tr><th colspan="2">mm</th><th>INCH</th></tr> <tr><td>4 PLACES</td><td>±---</td><td>±---</td></tr> <tr><td>3 PLACES</td><td>±---</td><td>±.005</td></tr> <tr><td>2 PLACES</td><td>±0.13</td><td>±.01</td></tr> <tr><td>1 PLACE</td><td>±0.3</td><td>±---</td></tr> </table>	mm		INCH	4 PLACES	±---	±---	3 PLACES	±---	±.005	2 PLACES	±0.13	±.01	1 PLACE	±0.3	±---	IN/MM	---	INCH	
	mm		INCH																		
	4 PLACES	±---	±---																		
3 PLACES	±---	±.005																			
2 PLACES	±0.13	±.01																			
1 PLACE	±0.3	±---																			
	ANGULAR ±---°	DRAFT WHERE APPLICABLE MUST REMAIN WITHIN DIMENSIONS	DRAWN BY DATE RSTONE 2014/11/10 CHECKED BY DATE B RUPERT --- APPROVED BY DATE JFMURPHY 2015/04/22 MATERIAL NO.	TITLE SINGLE ROW BARRIER TERMINAL STRIP NO MTG, .250 FAST TAB MOLEX INCORPORATED																	
			SEE CHART	DOCUMENT NO. SD-38729-075		SHEET NO. 1 OF 1															

THIS DRAWING CONTAINS INFORMATION THAT IS PROPRIETARY TO MOLEX INCORPORATED AND SHOULD NOT BE USED WITHOUT WRITTEN PERMISSION