

| | |
|-------------------|-----------------------|
| Company | Trenz Electronic GmbH |
| PCN Number | PCN-20201005 |
| Title | TE0710-02 DDR Change |
| Subject | BOM change |
| Issue Date | 2020-10-06 |

1 Products Affected

This change affects all Trenz Electronic TE0710 modules of revision 02 with industrial assembly variants TE0710-02-*_*|*.

| Affected Product | Replacement |
|-------------------------|--------------------|
| TE0710-02-35-2IF | TE0710-02-42I21-A |
| TE0710-02-100-2IF | TE0710-02-72I21-A |

2 Changes

2.1 #1 Change DDR Flash from IM4G08D3FABG-125 to IS43TR85120BL-125KBLI

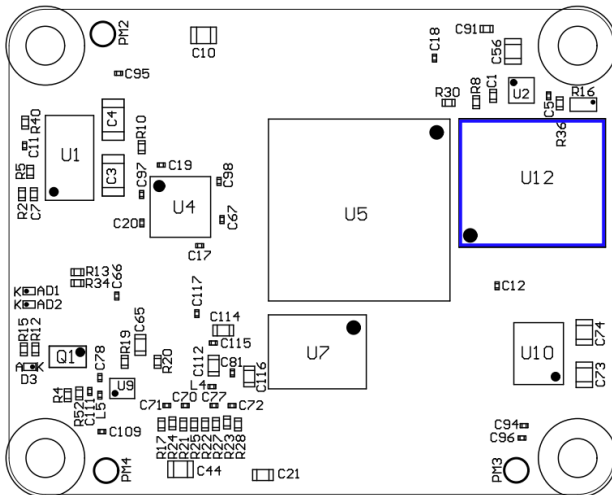
Type: BOM change

Reason: Old DDR was not specified for industrial temperature range.

Impact: New timings may be considered for existing designs.

3 Method of Identification

Locate DDR (U12) at top side of PCB:



IM4G08D3FABG-125



IS43TR85120BL-125KBLI



4 Production Shipment Schedule

From mid November 2020, after old stock is gone. If still the old assembly variant is needed please contact us.

5 Contact Information

If you have any questions related to this PCN, please contact Trenz Electronics Technical Support at

- forum.trenz-electronic.de¹
- wiki.trenz-electronic.de²
- support@trenz-electronic.de³ (subject = PCN-20201005)

1 <http://forum.trenz-electronic.de/>

2 <http://wiki.trenz-electronic.de/>

3 <mailto:support@trenz-electronic.de?subject=PCN-20201005>

- phone
 - national calls: 05223 65301-0
 - international calls: 0049 5223 65301-0

6 Disclaimer

Any projected dates in this PCN are based on the most current product information at the time this PCN is being issued, but they may change due to unforeseen circumstances. For the latest schedule and any other information, please contact your local Trenz Electronic sales office, technical support or local distributor.