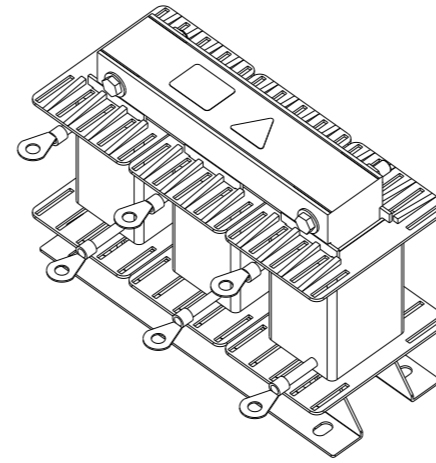
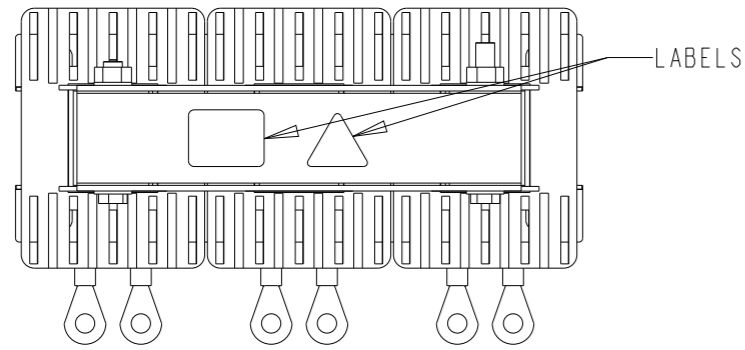


REVISIONS

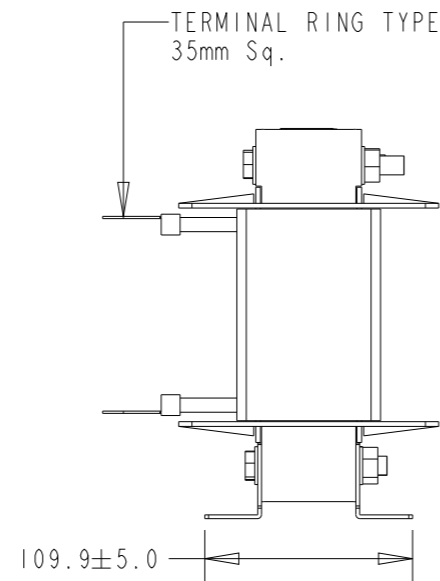
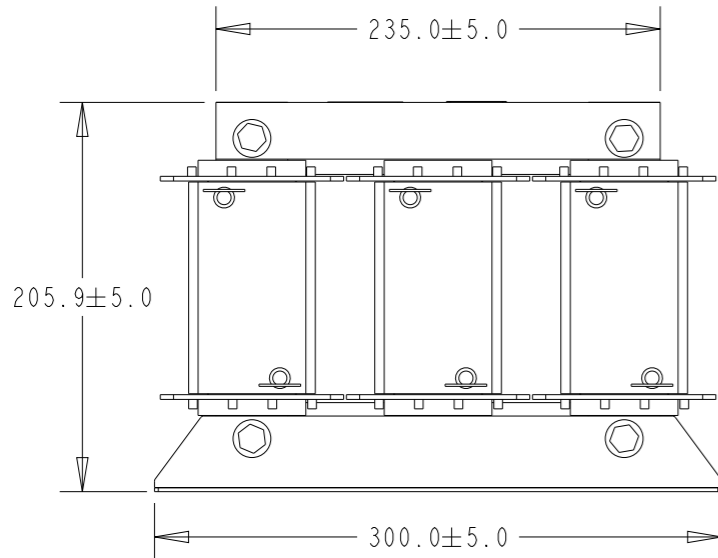
P	LTR	DESCRIPTION	DATE	DWN	APVD
	A	RELEASED FOR PRODUCTION	10FEB2023	DM	CB
	AI	ADDING PRODUCT DATA	07MAR2023	DM	CB



NOMINAL OPERATING VOLTAGE (VAC)	3x 380 to 480
RATED OPERATING VOLTAGE (VAC)	3x 340 to 530
FREQUENCY (Hz)	50 / 60
RATED CURRENT (AMPS)	80.00
OP. TEMP. RANGE @ RATED CURRENT	-45°C to +45°C
RATED POWER @ 400VAC (kW)	49.88
RATED POWER @ 400VAC (HP)	66.87
IMPEDANCE @ 400VAC (%)	4
INDUCTANCE, NOMINAL (mH)	0.370
POWER OVERLOAD, 1 MINUTE EVERY HOUR	1.6
VOLTAGE WITHSTAND 1 MINUTE (kVAC)	2
POLLUTION DEGREE	PD2
COOLING	NATURAL
PROTECTION CLASS	IP00
INSULATION CLASS	N
STORAGE TEMPERATURE RANGE (°C)	-45°C to +100°C
CLIMATIC CATEGORY	45/100/21
DESIGN CORRESPONDING TO	EN61558-2-20, EN60076-6, UL61800-5-1

SAFETY ORGANIZATIONS

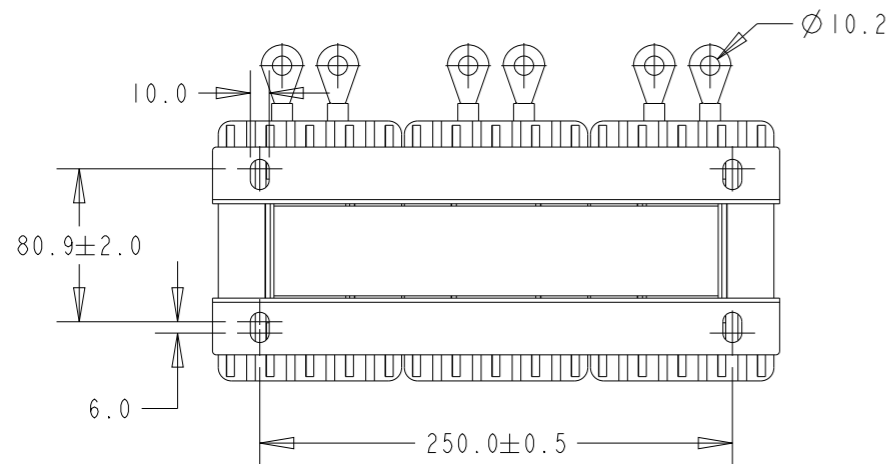
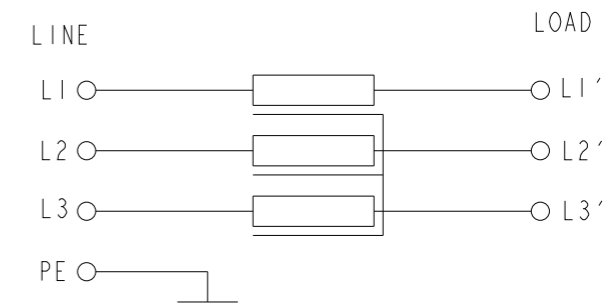
UL RECOGNIZED AS PER UL 508 HARDWARE CERTIFICATION



DE-RATING FORMULAE FOR OPERATION ABOVE 45°C AMBIENT CONDITIONS:

$$I = I_n \sqrt{\frac{100 - T_{a\ new}}{100 - 45}}$$

TYPICAL CIRCUIT DIAGRAM



RoHS COMPLIANT

THIS DRAWING IS A CONTROLLED DOCUMENT.		DWN C. BOLLE 06OCT2022	 TE Connectivity	NAME RPO-3-80 THREE LINE REACTOR		
DIMENSIONS: mm		CHK C. BOLLE 06OCT2022		PRODUCT SPEC	SIZE A3	CAGE CODE 00779
 TOLERANCES UNLESS OTHERWISE SPECIFIED: 0 PLC ±- 1 PLC ±0.1 2 PLC ±0.01 3 PLC ±0.001 4 PLC ±0.0001 ANGLES ±-		APVD L. RAJ 06OCT2022		APPLICATION SPEC	DRAWING NO C-3-2432409-0	RESTRICTED TO
MATERIAL		FINISH	WEIGHT	SCALE 1:4		
-		-	-	SHEET 1 OF 1		
-		-	CUSTOMER DRAWING	REV AI		