

MT4B/5B/8B Series

Ø45mm/Ø56mm/Ø85mm Bulb Type Tower Light

- Optional LED bulbs available
- Prism-cut lenses for even light distribution
- Direct, Pole or Wall Mount
- Wire leads connection



Specifications

Operation		Steady							
Maximum tier		5 stacks							
Power Supply		12V AC/DC		24V AC/DC		110V AC		220V AC	
		4B	5B/8B	4B	5B/8B	4B	5B/8B	4B	5B/8B
Current Consumption (RMS ±10%)	1 Stack	0.4A	0.8A	0.2A	0.4A	0.04A	0.8A	0.02A	0.04A
	2 Stack	0.8A	1.7A	0.4A	0.8A	0.09A	0.16A	0.04A	0.08A
	3 Stack	1.2A	2.5A	0.6A	1.2A	0.13A	0.24A	0.06A	0.12A
	4 Stack	1.6A	3.3A	0.8A	1.6A	0.16A	0.32A	0.08A	0.16A
	5 Stack	2.0A	4.2A	1.0A	2.0A	0.20A	0.40A	0.10A	0.20
Lens Material		PC Plastic							
Rating		IP 54							
Vibration		3mm at 10~55Hz							
Ambient Temp.		-15°C~40°C							
Ambient Humidity		45~85% RH							
Wire Size		1007 UL / 22 AWG							
Certificate		UL, CE, RoHS							



Ordering Information

MT 4 B 5 A L - RYGC

① ② ③ ④ ⑤ ⑥

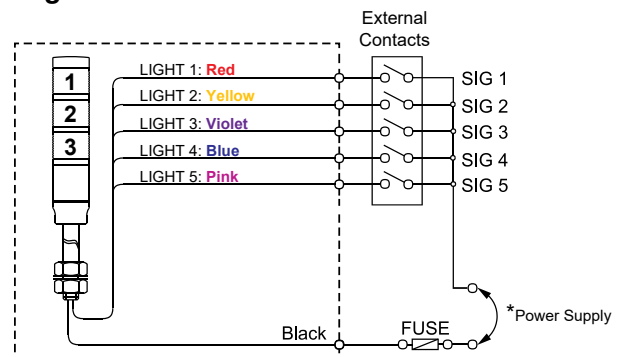
① Lens Diameter	4	Ø45mm
	5	Ø56mm
	8	Ø85mm
② Light Style	B	Steady
③ Number of Stacks	1	1 Light
	2	2 Lights
	3	3 Lights
	4	4 Lights
	5	5 Lights
④ Power Supply	D	12V AC/DC
	A	24V AC/DC
	B	110V AC
	C	220V AC
⑤ Connection	L	Lead Wires
⑥ Lens Colors (top to bottom)	R	Red
	Y	Yellow
	G	Green
	B	Blue
	C	Clear

Replacement Parts

		Part Number	Power Supply/Specification	
MT4B	LED	MAL-T09-S-12-C	12V DC	
		MAL-T09-S-24-C	24V DC	
	BULB	MAB-T09-S-012-05	12V, 5W AC/DC	
		MAB-T09-S-024-05	24V AC/DC, 5W	
		MAB-T09-S-130-05	110~120V AC, 5W	
		MAB-T09-S-240-05	220~240V AC, 5W	
Lens	—	MT4-(①)	Ø45mm	
MT5B MT8B	LED	MAL-T15-D-12-C	12V DC	
		MAL-T15-D-24-C	24V DC	
		MAL-T15-D-120-C	110~120V AC	
	BULB	MAB-T15-D-012-10	12V AC/DC, 10W	
		MAB-T15-D-024-10	24V AC/DC, 10W	
		MAB-T15-D-120-10	110~120V AC, 10W	
		MAB-T15-D-240-10	220~240V AC, 10W	
	Lens	—	MT5-(①)	Ø56mm
		—	MT8-(①)	Ø85mm

(①): Color of LED or Lens; R, Y, G, B or C

Wiring Diagram



* No polarity for DC applications.

See page 21-23
for mounting options and accessories