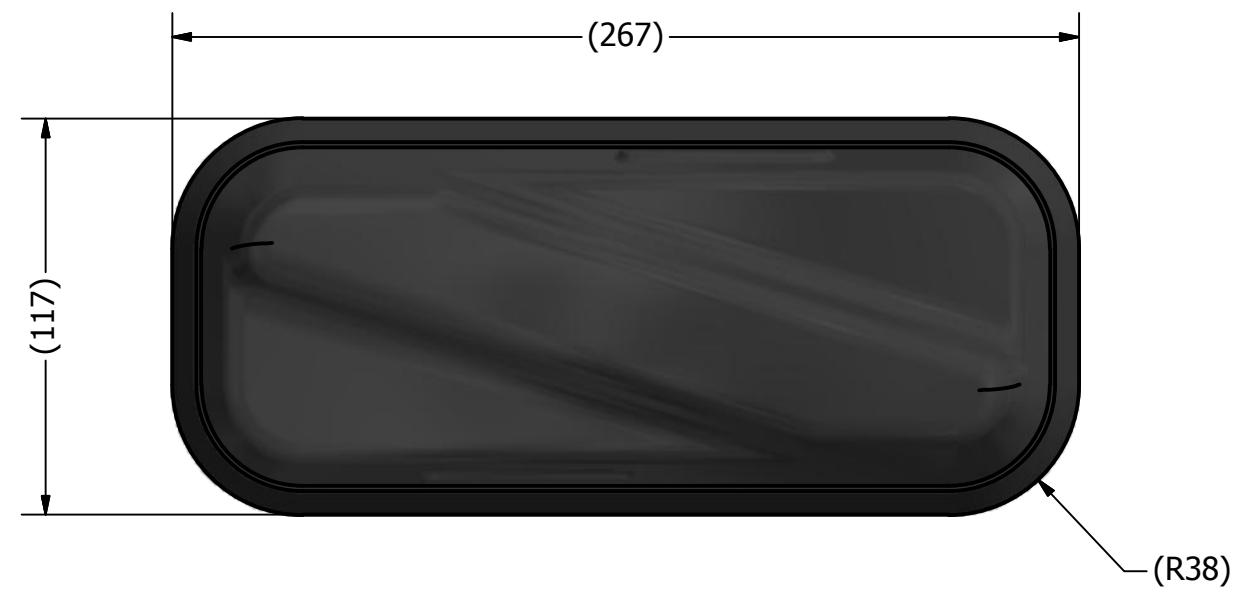
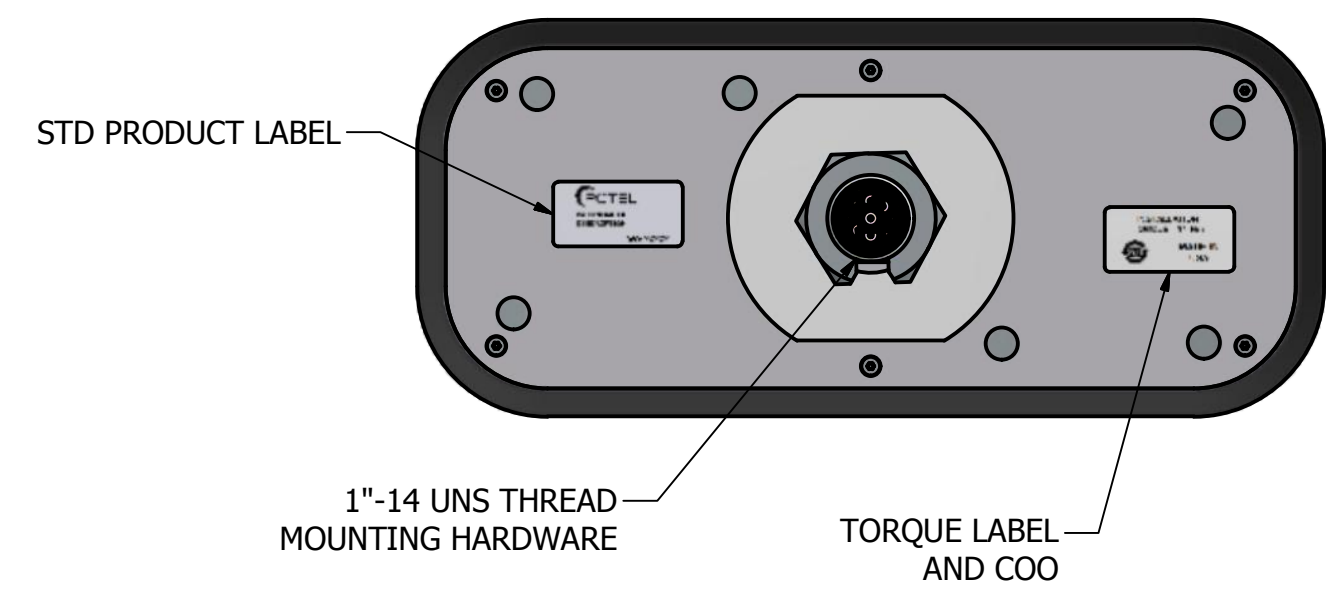
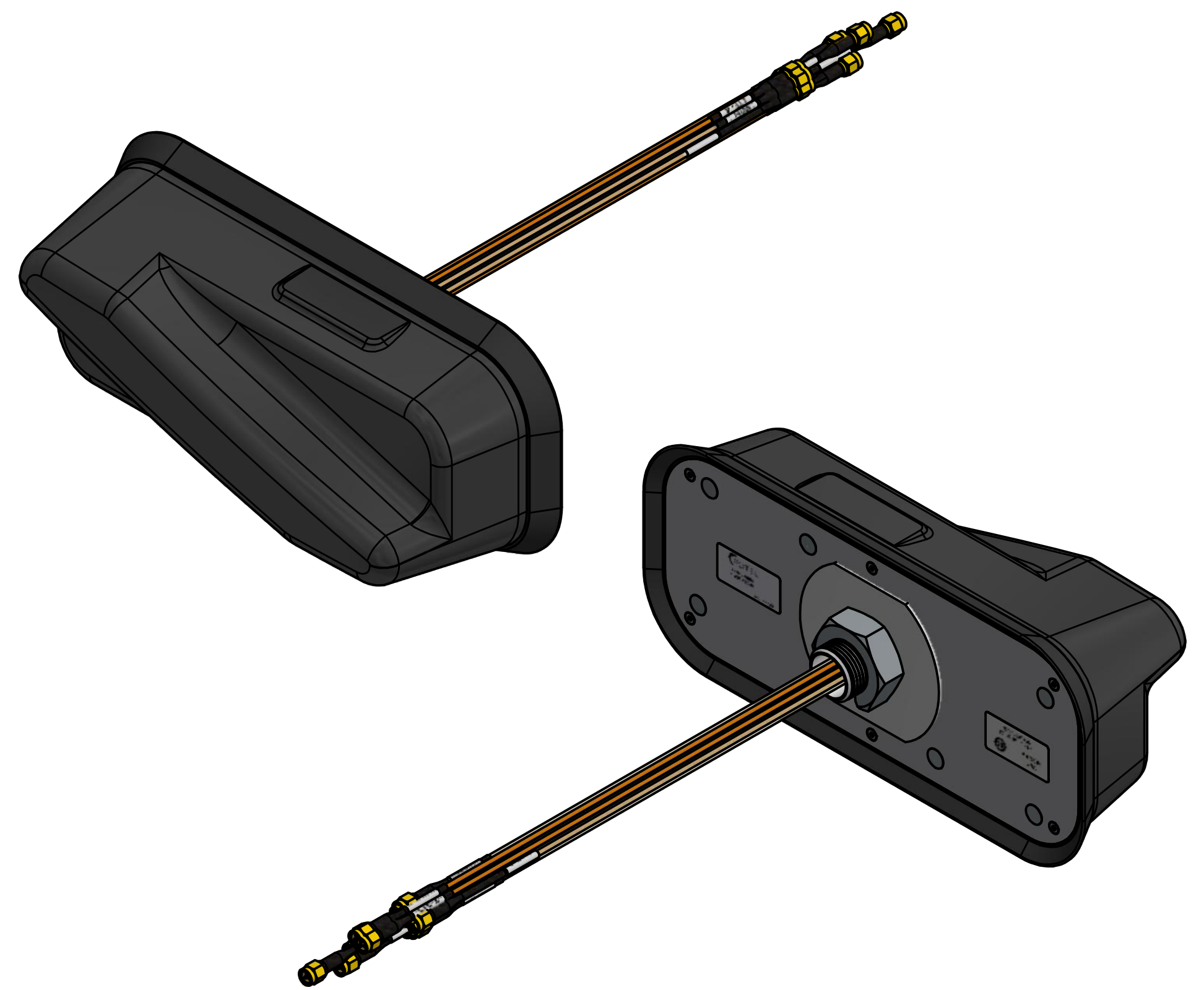
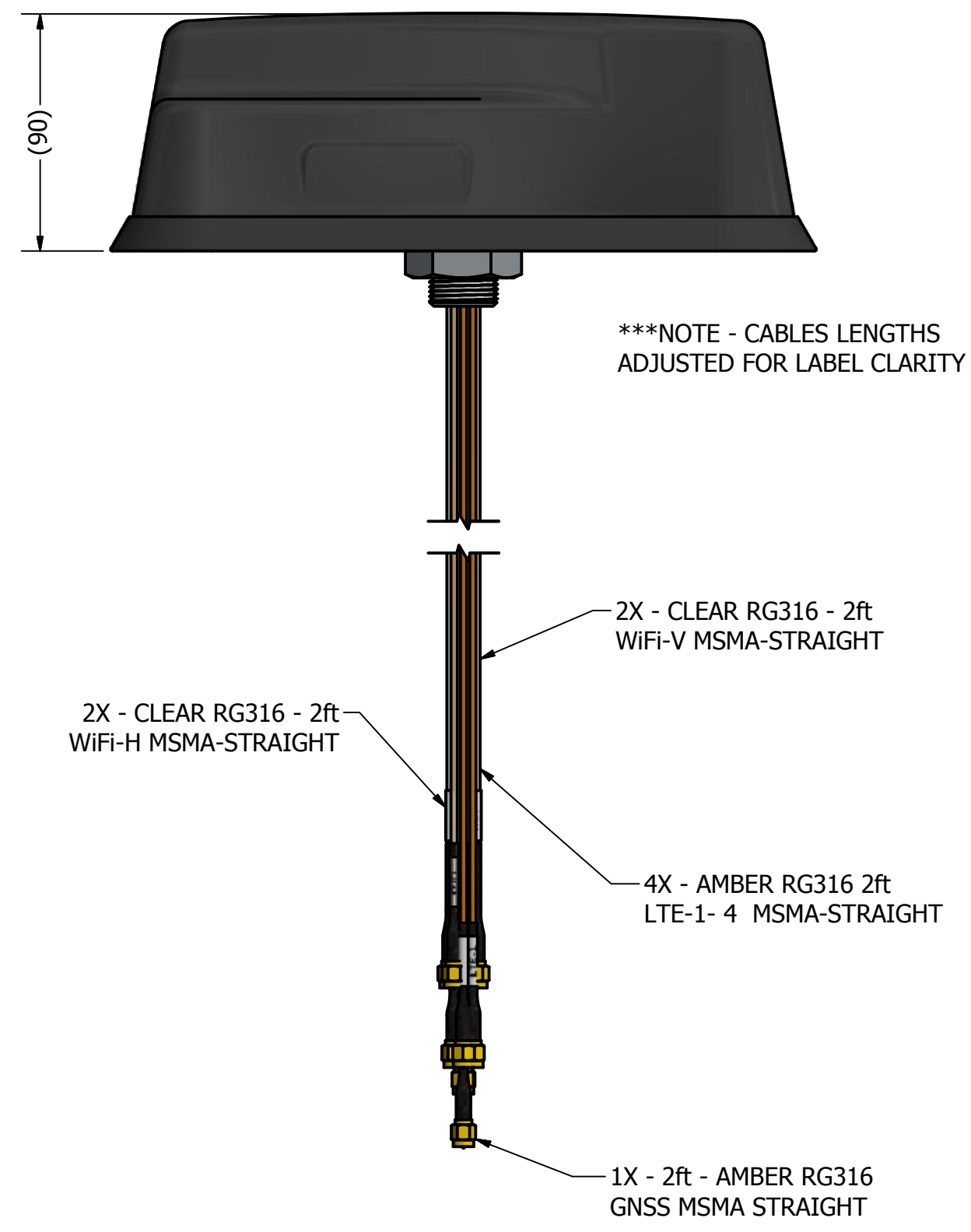


REVISION HISTORY			
REV	DESCRIPTION	DATE	APPROVED
2	RELEASED TO PILOT [C24417]	2OCT18	FXG



- NOTES: UNLESS OTHERWISE SPECIFIED
1. INTERPRET DRAWING PER ANSI/ASME Y14.5
 2. MATERIAL: SEE COMPONENT PRINTS
 3. FINISH: PER PCTEL COSMETIC SPEC
PARTS SHALL BE CLEAN AND FREE OF FOREIGN MATTER.
ALL DIMENSIONS APPLY AFTER PLATING.
 4. ALL MATERIALS SHALL BE ROHS COMPLIANT.
 5. PARTS SHALL BE PACKAGED TO PREVENT DAMAGE IN SHIPMENT AND HANDLING.
 6. AN [X] DIM IDENTIFIES A KEY CHARACTERISTIC AND MAY REQUIRE Cpk STUDY AS OUTLINED IN PCTEL CQR. A COMPLETE 1ST ARTICLE LAYOUT SHALL BE SUBMITTED WITH INITIAL ORDER. A (REF) DIMENSION IS FOR INFORMATION PURPOSES ONLY AND NO TOLERANCE IS IMPLIED.
 7. SUPPLIER SHALL REVIEW AND COMPLETE AND SIGN SUPPLIER INPUT/ PRINT ACCEPTANCE BLOCK.



SUPPLIER PRINT ACCEPTANCE: <input type="checkbox"/> Accept drawing/specification: No changes needed: <input type="checkbox"/> This part is RoHS compliant <input type="checkbox"/> This part is REACH compliant <input type="checkbox"/> Accept drawing/specification. Notes/Mark-ups added <input type="checkbox"/> Cannot accept drawing/spec. Notes/Mark-ups added Supplier Projected Outgoing Quality: SIGMA LEVEL : _____ or PPM: _____ Signature _____ Date: _____		UNLESS OTHERWISE SPECIFIED DIMENSIONS ARE IN MILLIMETERS FOR TOLERANCES NOT SPECIFIED USE: [X mm ± 3 mm] [X.X mm ± .3 mm] [X.XX mm ± .13 mm] ANGULAR± 1° THIRD ANGLE PROJECTION 		DRAWN: FXG DATE: 9/19/2017 CHECKED: _____ DATE: _____ MATERIAL: _____ FINISH: _____		PCTEL, INC. 471 BRIGHTON DRIVE BLOOMINGDALE, IL 60108 PH. 630-372-6800 FAX. 630-372-8077	
DESCRIPTION: SUBASSY, ANT, 4XWIFI,4XLTE,GNSS, TROOPER II				DRAWING NO.: GL9X1AX-TRB			
SIZE: C		SCALE: NA		SHEET: 1 OF 2		1	