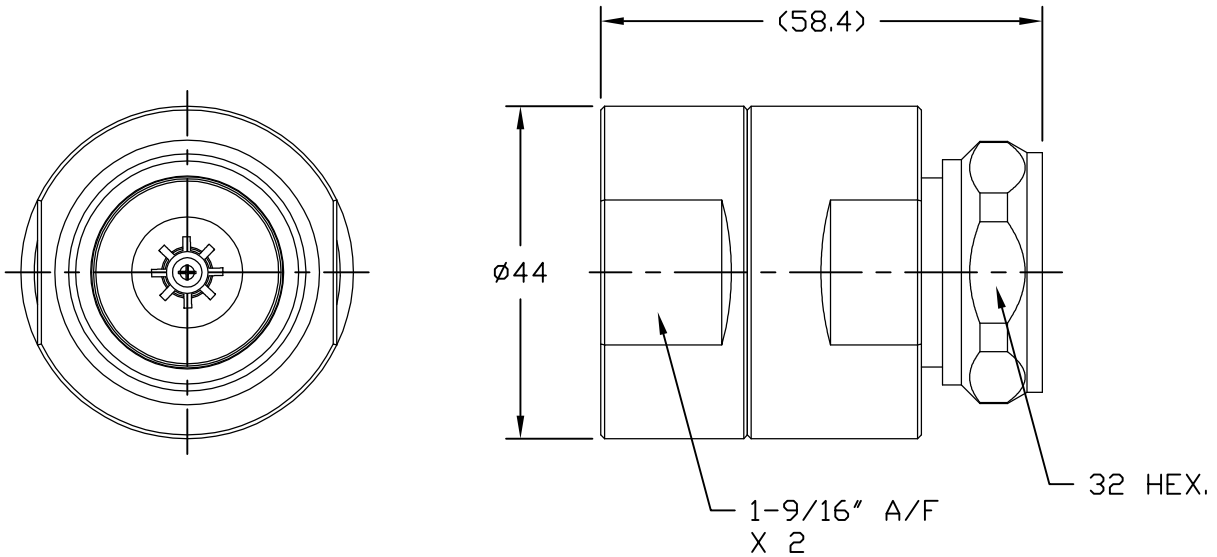


NOTICE OF PROPRIETARY RIGHTS THIS DOCUMENT CONTAINS CONFIDENTIAL TECHNICAL DATA, INCLUDING TRADE SECRETS, PROPRIETARY TO TIMES MICROWAVE SYSTEMS. DISCLOSURE OF THIS DATA IS EXPRESSLY CONDITIONED UPON YOUR ASSENT THAT ITS USE IS LIMITED TO USE WITHIN YOUR COMPANY ONLY. ANY OTHER USE IS STRICTLY PROHIBITED WITHOUT THE PRIOR WRITTEN CONSENT OF TIMES MICROWAVE SYSTEMS.

| SYM | REVISION DESCRIPTION | DFTM | DATE | APPD | DATE |
|-----|-------------------------|----------|---------|----------|---------|
| A | RELEASED FOR PRODUCTION | D. J. H. | 7/27/12 | J. D. B. | 8/24/12 |
| B | CHANGED PER CDC #36305 | D. J. H. | 9/27/12 | J. D. B. | 9/28/12 |



Reference Standard IEC60169-4

I. Electric Performance

| | |
|-------------------------------------|--|
| Nominal Impedance(Ω): | 50 |
| Frequency Range: | DC-3GHz |
| VSWR: | ≤ 1.15 |
| Insert Loss(dB): | ≤ 0.05 |
| Insulation resistance(M Ω): | ≥ 10000 |
| Proof voltage(V) | 4000 |
| Conductor resistance(m Ω) | outer conductor <0.2 inner conductor <0.8 |

II. Mechanical Performance

| | |
|------------------|-------|
| Nut Torque | 25N.m |
| (Nut) Whirl pull | 1000N |

III. Material and plating

| Component | Material | Plating |
|-----------------------|-----------------|---------------------------|
| Inner conductor | Brass | Ag 5 μ m |
| Outer conductor | Brass | Copper-tin-zinc 2 μ m |
| Spring Finger Contact | BeCu | Copper-tin-zinc 2 μ m |
| Nut | Brass | Ni 5 μ m |
| Gasket | Silicone Rubber | |
| Insulator | PTFE | |

IV. Environment

| | |
|------------------------|------------------------------------|
| Temp.range | -55 $^{\circ}$ C~+155 $^{\circ}$ C |
| Weather standard | IEC 60068 55 / 155/ 56 |
| Thermal shock | US MIL-STD 202,Meth.107,Cond.B |
| Vibration | US MIL-STD 202,Meth.204,Cond.B |
| Shock | US MIL-STD 202,Meth.213,Cond.I |
| Waterproofing standard | IP67 |
| ROHS Compliant | |

V. Assembly: inner and outer conductor installed

| | | | | | | | |
|--------------|--|----------------------|---|--------------|-----------|-------------|-------|
| MATL: | UNLESS OTHERWISE SPECIFIED | DFTM. D. J. H. | TIMES MICROWAVE SYSTEMS | | | | |
| | | DATE 7/27/12 | | | | | |
| USED ON: 1-1 | ALL DIMENSIONS ARE IN mm MACHINED SURFACES FINISH N/A RMS MAX. REMOVE ALL BURRS N/A MAX. BREAK MACHINE CORNERS N/A MAX. FILLET R. TOLERANCES ON DECIMALS . XX \pm N/A . XXX \pm N/A ANGLES \pm N/A FRACTIONS \pm N/A | CHKD. J. D. B. | EZ-1200-716MC-2 7-16 MALE FOR LMR-1200 CABLE | | | | |
| | | DATE 8/24/12 | | | | | |
| | | APPD. J. D. B. | | | | | |
| SCALE: N/A | DWG. SIZE A | DO NOT SCALE DRAWING | CODE IDENT 68999 | DATE 8/24/12 | SH 1 of 1 | SD3190-2781 | REV B |