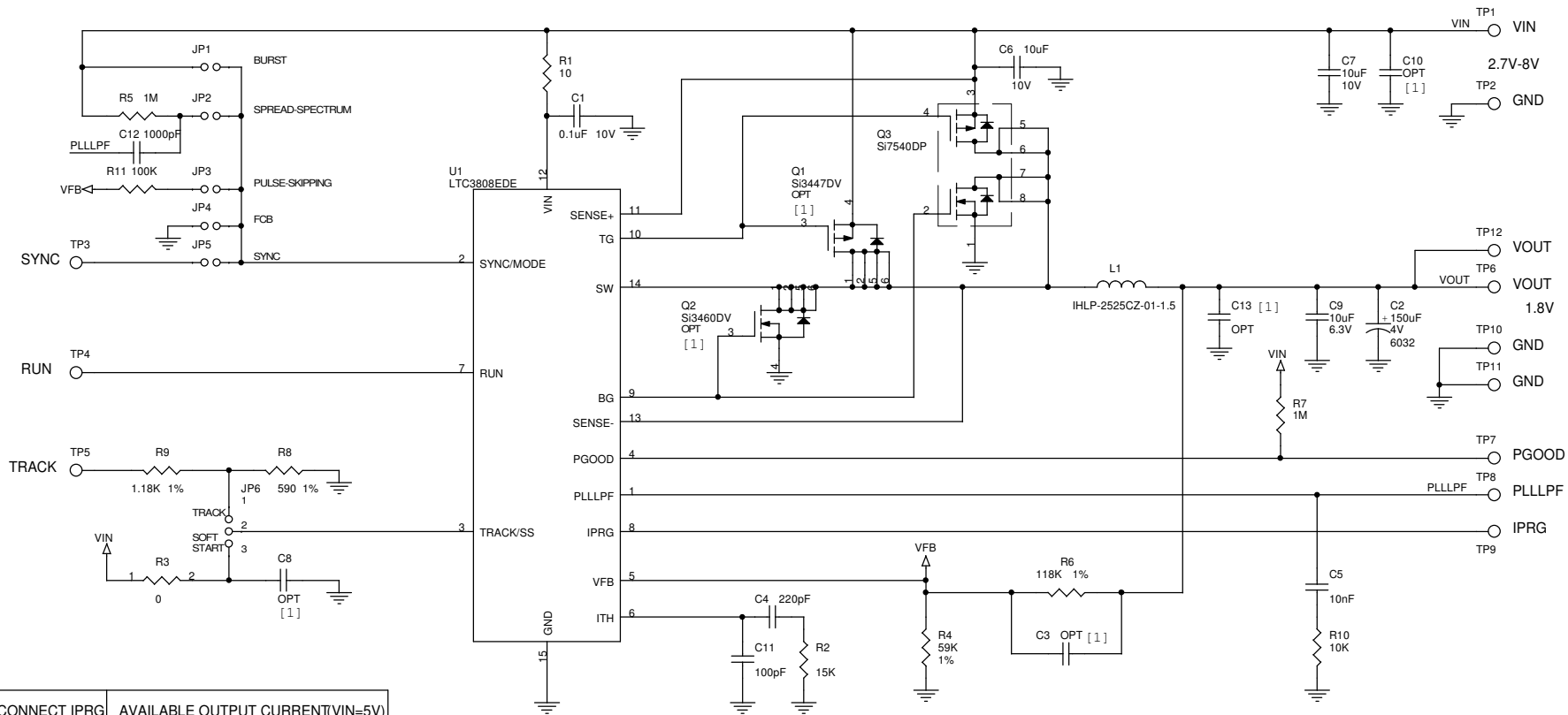


This circuit is proprietary to Linear Technology and supplied for use with Linear Technology parts.
Customer Notice: Linear Technology has made a best effort to design a circuit that meets customer-supplied specifications; however, it remains the customer's responsibility to verify proper and reliable operation in the actual application. Component substitution and printed circuit board layout may significantly affect circuit performance or reliability. Contact Linear Applications Engineering for assistance.

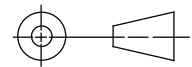
REVISION HISTORY				
ECO	REV	DESCRIPTION	DATE	APPROVED
	2	PROTOb added C12 to PLLLPF Net	08/10/04	



CONNECT IPRG	AVAILABLE OUTPUT CURRENT(VIN=5V)
TO VIN	5A
FLOATING	3.5A
TO GND	2.5A

NOTES: UNLESS OTHERWISE SPECIFIED,
 [1] DO NOT STUFF (OPTIONAL).

UNLESS OTHERWISE SPECIFIED
 DIMENSIONS ARE IN INCHES
 TOLERANCE ON ANGLE - - -
 2 PLACES - - 3 PLACES - - -
 INTERPRET DIM AND TOL
 PER ASME Y14.5M -1994



DO NOT SCALE DRAWING

CONTRACT NO.	
APPROVALS	DATE
DRAWN MEI	02/04/04
CHECKED	
APPROVED	
ENGINEER	
DESIGNER	



1630 McCarthy Blvd.
 Milpitas, CA 95035
 Phone: (408)432-1900
 Fax: (408)434-0507

TITLE SCH, LTC3808EDE, SYNCHRONOUS STEP-DOWN CONVERTER WITH OUTPUT TRACKING

SIZE	CAGE CODE	DWG NO	REV
		DC769A	2

SCALE:NONE	FILENAME: 769A-2.DSN	SHEET 1 OF 1
------------	----------------------	--------------