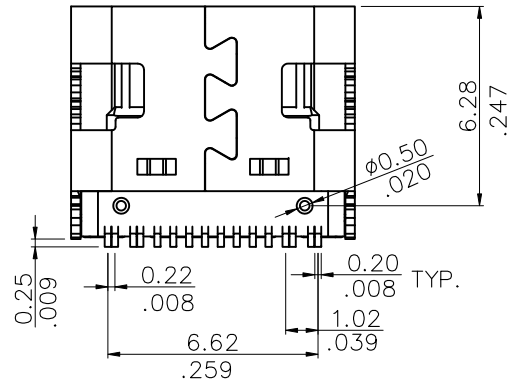
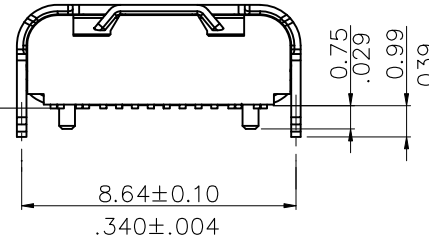
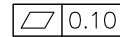
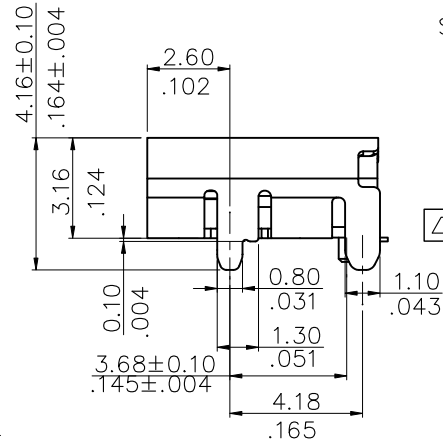
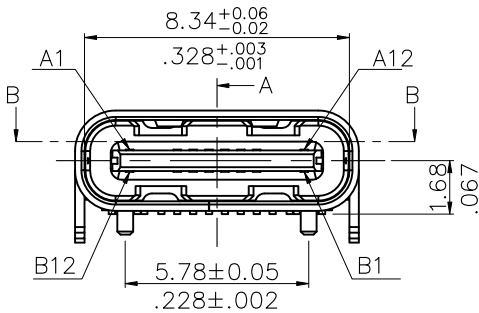


SECTION B-B



MATERIAL:

- 1.HOUSING: LCP, GLASS FIBER FILLED, BK
- 2.CONTACT: COPPER ALLOY
- 3.SHIELD: STAINLESS STEEL

FINISH:

CONTACT: SEE ORDER INFORMATION

SHELL: NICKEL PLATING

Ordering Code:

CU32 16 S * S D L R 009 -NH
 ① ② ③ ④ ⑤ ⑥ ⑦ ⑧ ⑨

- ① Series No.CU32
- ② No of Circuits:16Pin
- ③ S= Socket
- ④ Plating option:
 A= Gold Flash plated on Contact area,
 Matte Tin plated on Solderails,
 Nickel underplating over all
 2= Gold flash over 50u" (1.27um)
 Nickel
- ⑤ Shell Material & Plating:
 S=SUS 304 Ni Plated
- ⑥ Contact Material: D=Copper Alloy
- ⑦ Insulator Material & Color option:
 L=Lcp Black
- ⑧ Packing R= Tape & Reel
- ⑨ -NH= For Lead Free wave or IR Reflow
 Processes & Halogen Free

Halogen-Free

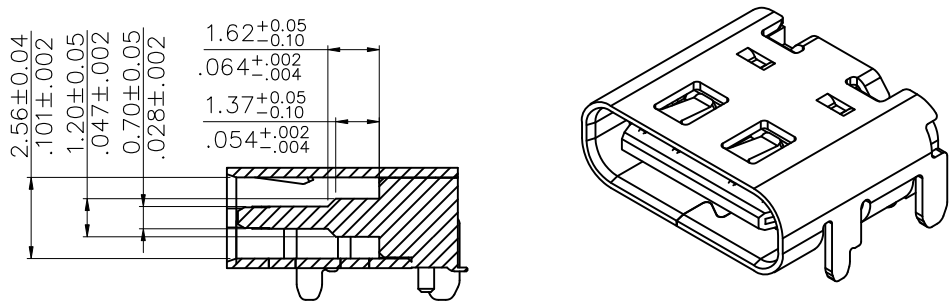
RoHS Compliant

4					DATE	UNIT: mm / inch	TITLE: Type C/F 16 PIN CL=1.68mm SMT TYPE TOP MOUNT TYPE
3				DRAWN BY: Keny	4/22-20'	TOLERANCE UNLESS OTHERWISE SPECIFIED	MATERIAL:
2				ENGINEER: Keny	4/22-20'		
1				CHECKED BY: Keny	4/22-20'	.XX ± 0.20/.008 X' ± 2'	FINISH:
SYM	NAME	DATE	REVISIONS	APPROVED BY: Lawrence	4/22-20'	.XXX ± 0.10/.004 X' ±	

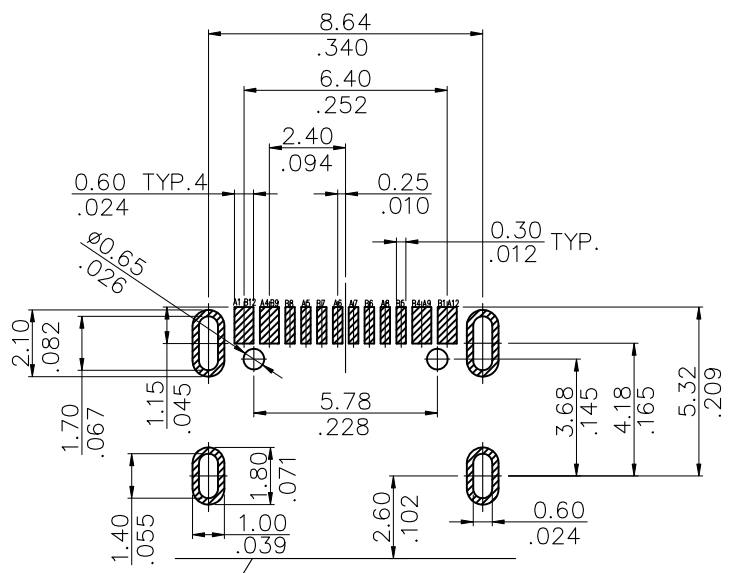


瀚荃股份有限公司
CviLux Corporation

DRAWING NO.	CU32S09SA	PART NO.	CU3216S*SDLR009-NH
SCALE	1 / 1	SHEET	1 OF 3



SECTION A-A



CONNECTOR FRONT EDGE

RECOMMENDED P.C.B. LAYOUT (T: 1.00mm)
TOLERANCE ±0.05mm

USB TYPE-C FULL-FEATURED RECEPTACLE INTERFACE PIN ASSIGNMENTS

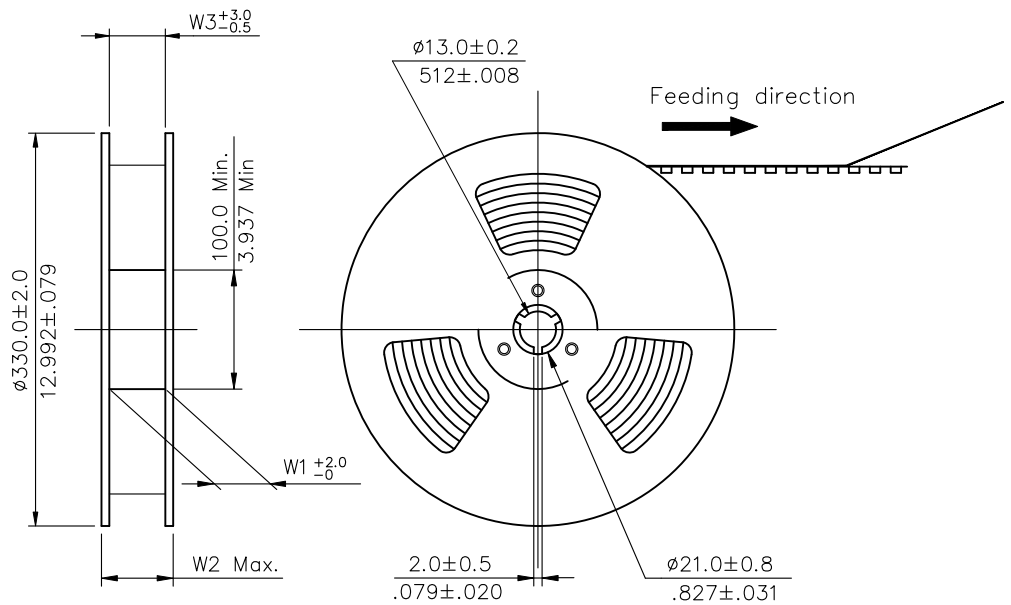
PIN	Signal Name	Description	PIN	Signal Name	Description
A1	GND	Ground return	B12	GND	Ground return
A2			B11		
A3			B10		
A4	Vbus	Bus Power	B9	VBUS	Bus Power
A5	CC1	Configuration Channel	B8	SBU2	Sideband Use(SBU)
A6	Dp1	Positive half of the USB 2.0 differential pair-Position 1	B7	Dn2	Positive half of the USB 2.0 differential pair-Position 2
A7	Dn1	Negative half of the USB 2.0 differential pair-Position 1	B6	Dp2	Negative half of the USB 2.0 differential pair-Position 2
A8	SBU1	Sideband Use(SBU)	B5	CC2	Configuration Channel
A9	VBUS	Bus Power	B4	VBUS	Bus Power
A10			B3		
A11			B2		
A12	GND	Ground return	B1	GND	Ground return

Halogen-Free RoHS Compliant



4					DATE	UNIT: mm / inch	TITLE: Type C/F 16 PIN CL=1.68mm SMT TYPE TOP MOUNT TYPE
3				DRAWN BY: Keny	4/22-20'	TOLERANCE UNLESS OTHERWISE SPECIFIED	MATERIAL:
2				ENGINEER: Keny	4/22-20'	.X ± 0.25/.010 X' ± 4'	FINISH:
1				CHECKED BY: Keny	4/22-20'	.XX ± 0.20/.008 X' ± 2'	
SYM	NAME	DATE	REVISIONS	APPROVED BY: Lawrence	4/22-20'	.XXX ± 0.10/.004 X' ±	

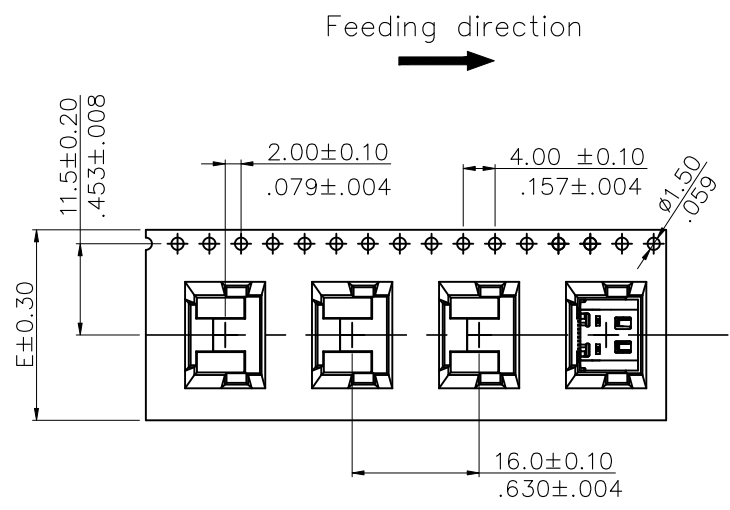
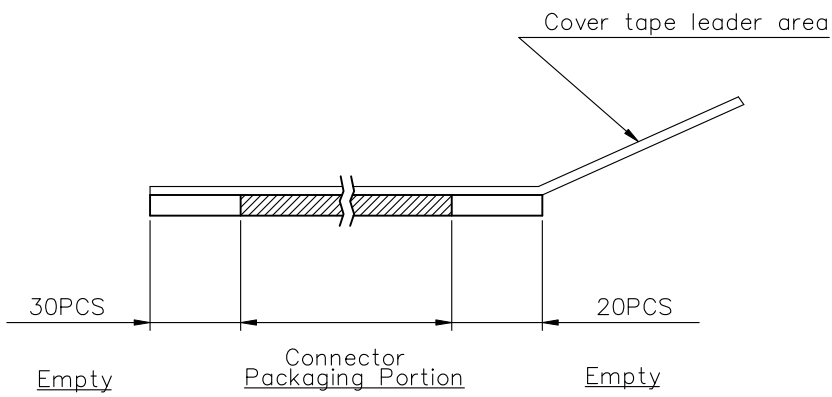
DRAWING NO.	CU32S09SA	PART NO.	CU3216S*SDLR009-NF
SCALE	1 / 1	SHEET	2 OF 3



NOTE :

- * Reel Material : HIPS
- * Carrier Material : Clear, Conductive Polystyrene Alloy
- * Cover Tape Material : Polyester
- * Cover Tape Peel Strength : 0.1N – 1.3N
- * Carrier camber is within 1mm in 250mm
- * All dimensions meet EIA-481-B requirements.
- * Quantity : 800 PCS/Reel

Dimension				Packing (Reel/Carton)
E	W1	W2	W3	
24.0(.945)	24.5(.965)	30.5(1.201)	24.5(.965)	10



Halogen-Free RoHS Compliant

SYM	NAME	DATE	REVISIONS	APPROVED BY:	DATE	UNIT: mm / inch	TITLE: Type C/F 16 PIN CL=1.68mm SMT TYPE TOP MOUNT TYPE		
4									
3				DRAWN BY: Keny	4/22-20'	TOLERANCE UNLESS OTHERWISE SPECIFIED	MATERIAL:		
2				ENGINEER: Keny	4/22-20'			.X ±	.X' ± 1'
1				CHECKED BY: Keny	4/22-20'			.XX ±	.X' ±
				APPROVED BY: Lawrence	4/22-20'	.XXX ±	.XX' ±		



DRAWING NO.	CU32S09SA	PART NO.	CU3216S*SDLR009-NF
SCALE		SHEET	3 OF 3