

Material :

- * Base: High temperature plastic UL94 V-0, Color Nature
- * Cover: High temperature plastic UL94 V-0, Color Black
- * Contact: Phosphor Bronze
- * Fixed tab: Brass with 100u” Min. Matte Tin plated over 50u” Min. Nickel.

Ordering Code

CF61 ① ② ③ ④ ⑤ ⑥ ⑦ ⑧ ⑨

① Series No.

② No. of Circuits

③ Plating code:

1 = 2.00um(80u”) Min. Matte Tin

Plating on Contact area and Solderails, 1.27um(50u”) Nickel Underplating over all

2 = 0.02um(0.8u”) Min. Gold Flash

Plating on Contact area and Solderails, 1.27um(50u”) Nickel Underplating over all

④ Contact style: D= Downside contact

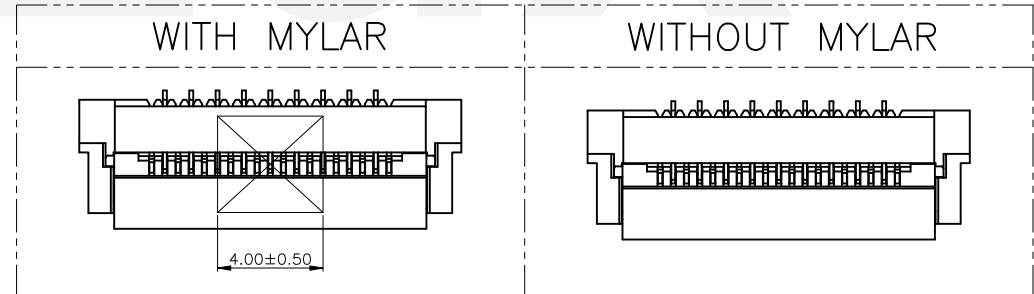
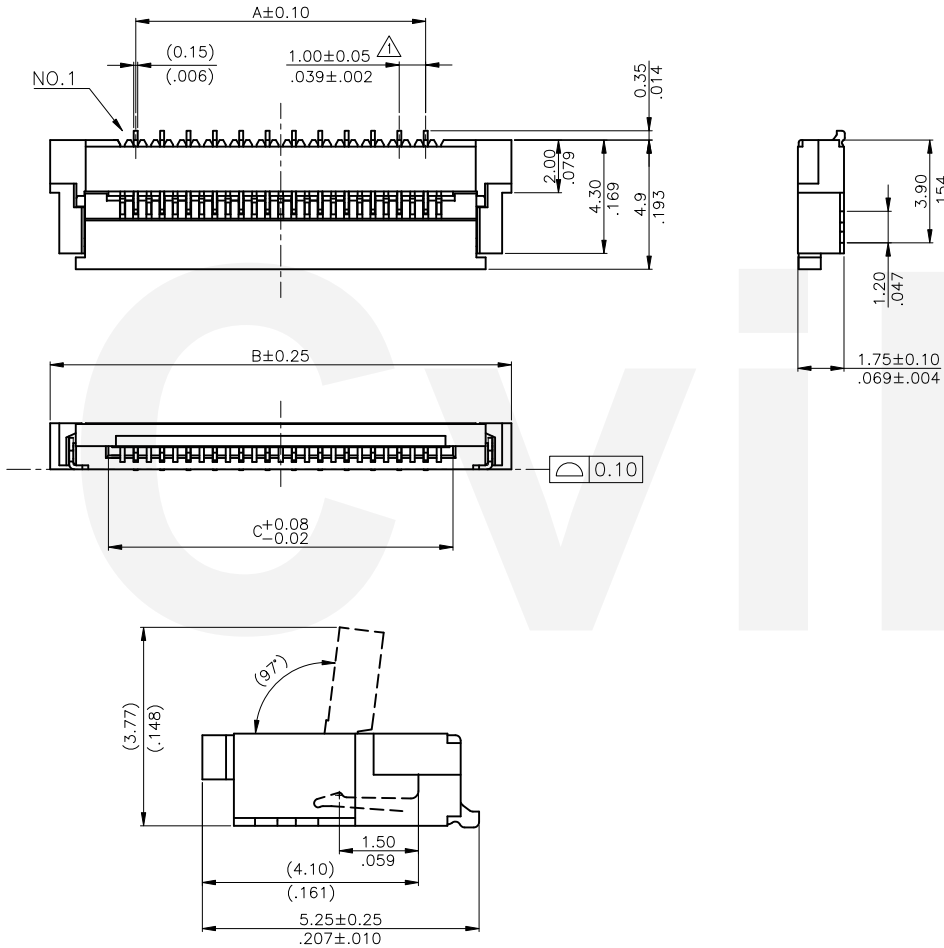
⑤ 0= Color Nature

⑥ Packing: R= Tape & Reel packing
T= Tube Packing


⑦ Option: 0= Without Mylar
M= With Mylar

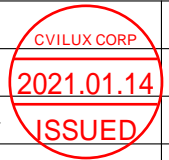
⑧ -10= 1.0 Pitch

⑨ -NH= For Lead Free IR Processed and Halogen Free



Halogen-Free Lead Free Process RoHS compliant

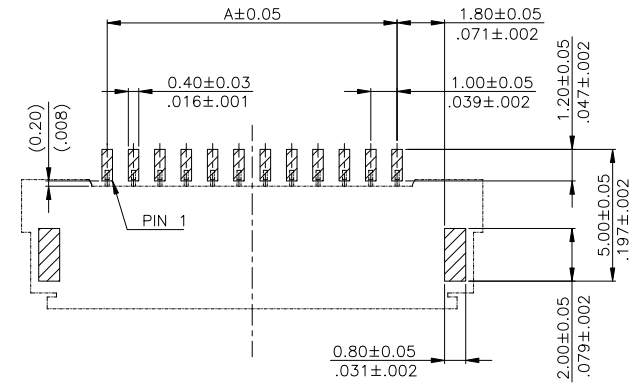
④					DATE	UNIT: mm / inch	TITLE: 1.00mm(.039") ZIF FFC/FPC ONE-TOUCH CONNECTOR	 瀚荃股份有限公司 CviLux Corporation
③					2021.01.14	TOLERANCE UNLESS OTHERWISE SPECIFIED	MATERIAL:	
②	Sun	1/06-21'	ECNT121014	DRAWN BY: Sun	01/06-21'	.X ± 0.25/.010	.X' ±	DRAWING NO. CF6102SC
①	Ken	6/7-17'	ECNT117128	ENGINEER: Sun	01/06-21'	.XX ± 0.15/.006	.X' ± 2'	PART NO. CF61***DOR0-10-NH
SYM	NAME	DATE	REVISIONS	CHECKED BY: Eisley	01/08-21'	.XXX ±	.XX' ±	SCALE 5 / 1
				APPROVED BY: Eisley	01/08-21'			SHEET 1 OF 3



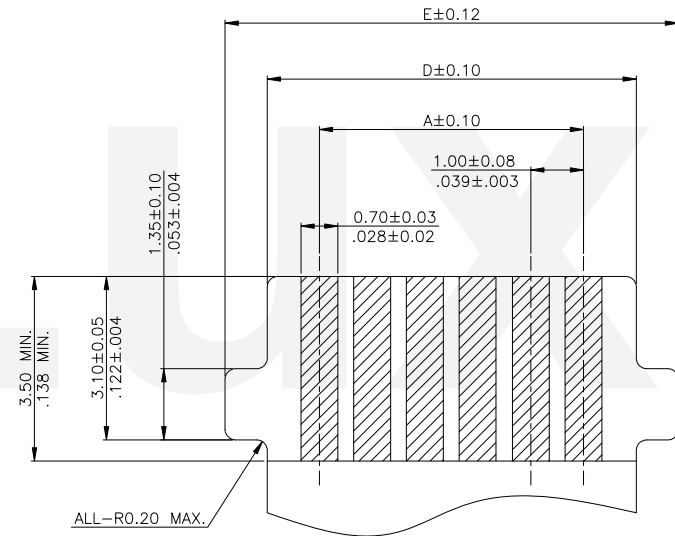
2

(N) NO. of TERMINALS	DIMENSIONS				
	A	B	C	D	E
* 4	3.00	9.50	5.07	5.00	6.60
5	4.00	10.50	6.07	6.00	7.60
6	5.00	11.50	7.07	7.00	8.60
7	6.00	12.50	8.07	8.00	9.60
* 8	7.00	13.50	9.07	9.00	10.60
9	8.00	14.50	10.07	10.00	11.60
10	9.00	15.50	11.07	11.00	12.60
11	10.00	16.50	12.07	12.00	13.60
12	11.00	17.50	13.07	13.00	14.60
13	12.00	18.50	14.07	14.00	15.60
14	13.00	19.50	15.07	15.00	16.60
15	14.00	20.50	16.07	16.00	17.60
16	15.00	21.50	17.07	17.00	18.60
17	16.00	22.50	18.07	18.00	19.60
18	17.00	23.50	19.07	19.00	20.60
19	18.00	24.50	20.07	20.00	21.60
20	19.00	25.50	21.07	21.00	22.60
21	20.00	26.50	22.07	22.00	23.60
22	21.00	27.50	23.07	23.00	24.60
23	22.00	28.50	24.07	24.00	25.60
24	23.00	29.50	25.07	25.00	26.60
25	24.00	30.50	26.07	26.00	27.60
26	25.00	31.50	27.07	27.00	28.60
27	26.00	32.50	28.07	28.00	29.60
28	27.00	33.50	29.07	29.00	30.60
29	28.00	34.50	30.07	30.00	31.60
30	29.00	35.50	31.07	31.00	32.60

*= Available number of poles,Circuits not found above please consult manufacturer



RECOMMENDED PCB LAYOUT




THICKNESS:0.3±0.03
APPLICABLE FFC/FPC DIM.(REF)

Halogen-Free

Lead Free Process

RoHS compliant

4																			
3																			
2	Sun	1/06-21'	ECNT121014		DATE	UNIT: mm / inch	TITLE: 1.00mm(.039") ZIF FFC/FPC ONE-TOUCH CONNECTOR		 瀚荃股份有限公司 CviLux Corporation										
1	Ken	6/7-17'	ECNT117128		DATE	UNIT: mm / inch	MATERIAL:		DRAWING NO. CF6102SC		PART NO. CF61***DOR0-10-NH								
SYM	NAME	DATE	REVISIONS		DATE	UNIT: mm / inch	FINISH:		SCALE 5 / 1		SHEET 2 OF 3								
							TOLERANCE UNLESS OTHERWISE SPECIFIED												
							.X ± 0.25/.010 X' ±												
							.XX ± 0.15/.006 X' ± 2'												
							.XXX ±												

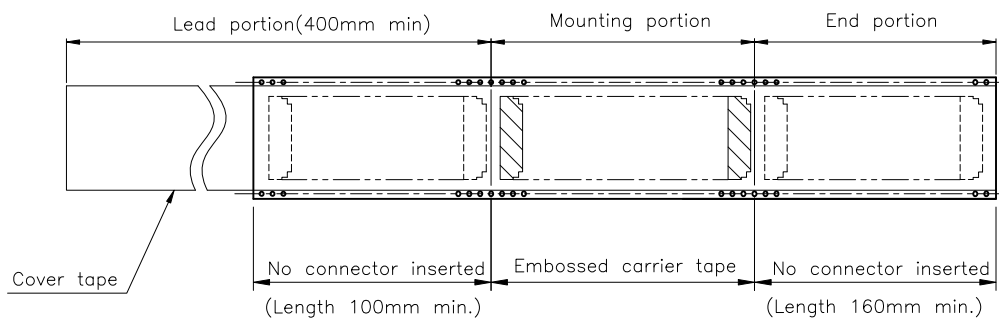
CIVILUX CORP
2021.01.14
ISSUED

DRAWN BY: Sun
ENGINEER: Sun
CHECKED BY: Eisley
APPROVED BY: Eisley

DATE: 01/06-21'
DATE: 01/06-21'
DATE: 01/08-21'
DATE: 01/08-21'

UNIT: mm / inch
TITLE: 1.00mm(.039") ZIF FFC/FPC ONE-TOUCH CONNECTOR
MATERIAL:
FINISH:

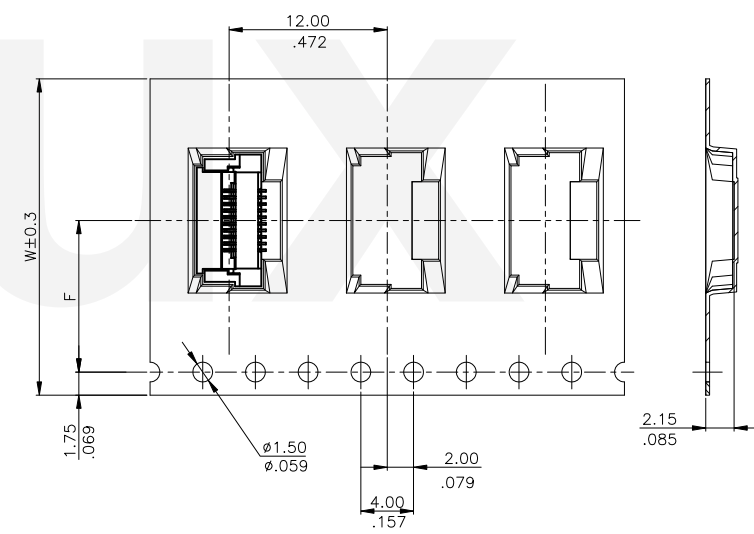
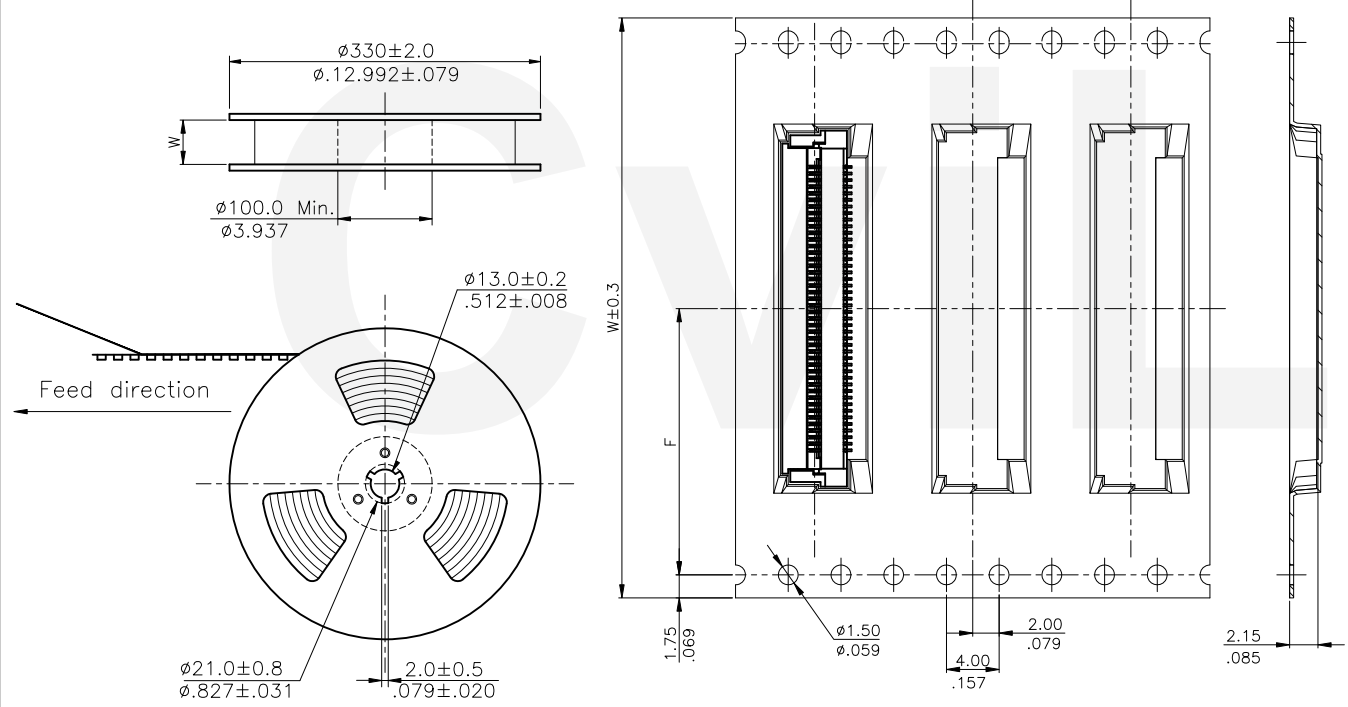
DRAWING NO. CF6102SC
PART NO. CF61***DOR0-10-NH
SCALE 5 / 1
SHEET 2 OF 3



- Notes:
1. 10 sprocket hole pitch cumulative tolerance ± 0.2
 2. Material: Polystyrene.
 3. Quantity: 2000 Pcs/Reel
 4. All dimensions meet EIA-481-B requirements.

Circuits	Dimension		Packing (Reel/Carton)
	W	F	
4-10	24.0(.945)	11.50(.453)	9
11-14	32.0(1.260)	14.20(.559)	7
15-24	44.0(1.732)	20.20(.795)	5
25-30	56.0(2.205)	26.20(1.031)	4


TAPE RUNNING DIRECTION



WIDTH : 32, 44, 56 mm Carrier

WIDTH : 24 mm Carrier

RoHS Compliant

4						DATE	UNIT: mm / inch	TITLE: 1.00mm(.039") ZIF FFC/FPC ONE-TOUCH CONNECTOR	 瀚荃股份有限公司 CviLux Corporation
3						DATE	TOLERANCE UNLESS OTHERWISE SPECIFIED	MATERIAL:	
2	Sun	1/06-21'	ECNT121014	CVILUX CORP	DRAWN BY: Sun	01/06-21'	.X ± 0.25/.010	.X' ±	DRAWING NO. CF6102SC
1	Ken	6/7-17'	ECNT117128	2021.01.14	ENGINEER: Sun	01/06-21'	.XX ± 0.15/.006	.X' ± 2'	PART NO. CF61***DOR0-10-NH
SYM	NAME	DATE	REVISIONS	ISSUED	CHECKED BY: Eisley	01/08-21'	.XXX ±	.XX' ±	SCALE 5 / 1
					APPROVED BY: Eisley	01/08-21'			SHEET 3 OF 3