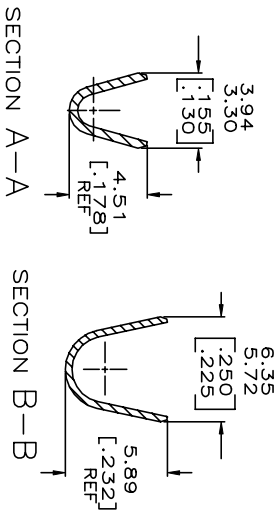
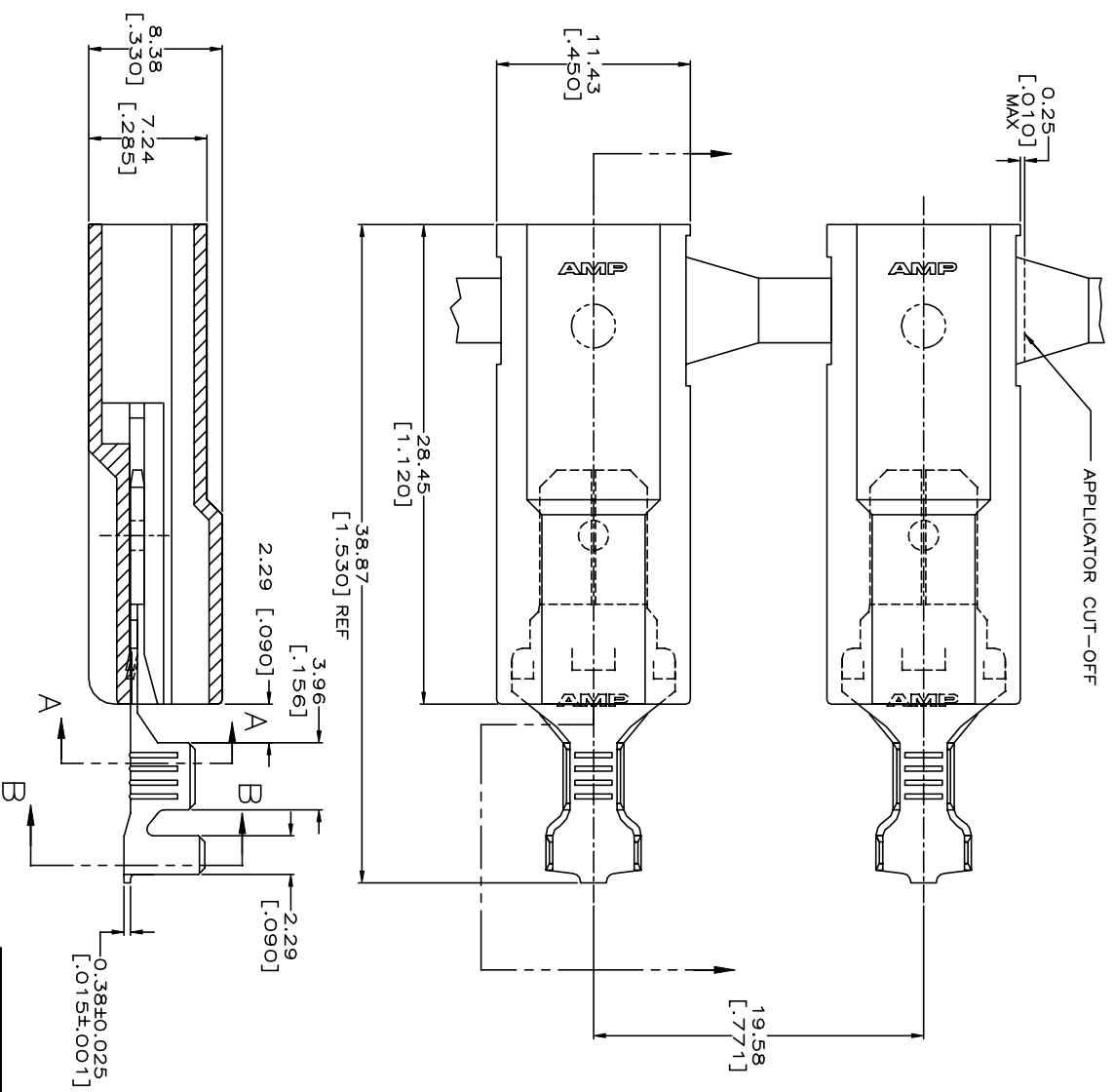


REV	DATE	DESCRIPTION	BY	CHK	APP
1					
2					
3					
4					
5					

- FASTON TAB BASE #1217166, ARE USED IN THIS PRODUCT.
 - WIRE SIZE IS [#18-#14] AWG.
 - INSULATION RANGE IS 3.30-4.57 [1.30-.180] DIA.
 - MATES WITH A 6.35 X 0.81 [250 X .032] RECEPTACLE.
- 5 MATERIAL & FINISH
TERMINAL - BRASS, SEE TABLE
HOUSING - HIGH TEMP NYLON 6, WHITE



THIS DRAWING IS A CONTROLLED DOCUMENT.

DATE	CODE	ISSUE NO.	RESTRICTED TO
A2	00779	521451	

521451

SCALE: 5:1 SHEET 1 OF 1

DATE: 11-4-2124

WEIGHT: 114-2124

APPLICATION SPEC: 108-1285

PRODUCT SPEC: J. HUMMEL

DESIGNER: J. HUMMEL

DATE: 210601

CHKD: J. HUMMEL

DATE: 210601

MR. BULTH

Z10601

MR. FEHNER

Z10601

OBSOLETE

TIN PLATE

521451-2

FINISH

521451-1

PART NO.

STE TE Connectivity

ASSEMBLY TAB, ULTRA-POD, 6.35 [250] SERIES