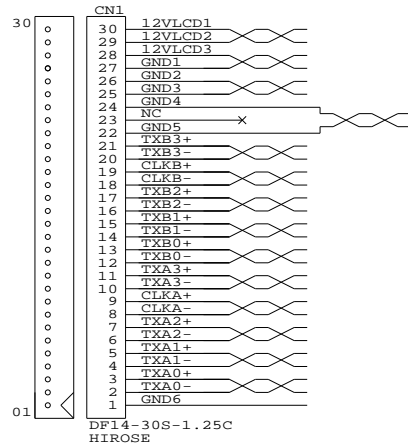
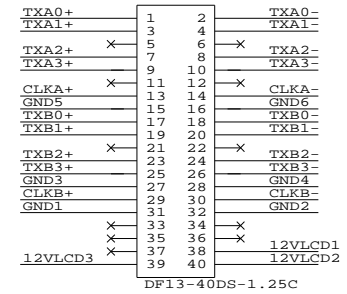


CONNECTION DIAGRAM:

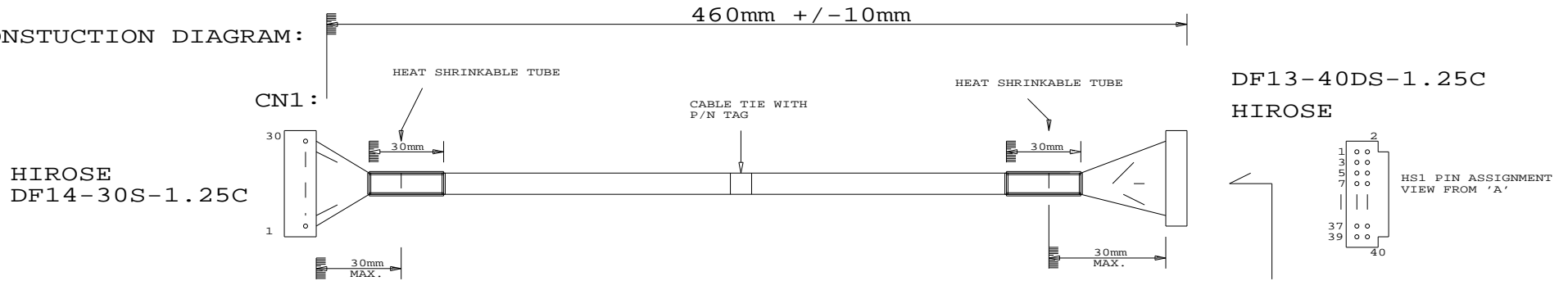


PANEL SIDE



TOLERANCE:  
+10mm  
-10mm

CONSTRUCTION DIAGRAM:



CABLE: SHIELDED ROUND  
UL20276, 14 PAIRS, 30AWG, PVC COLOR BLACK

RoHS  
COMPLIANCE

P/N 426496700-3  
LVDS CABLE: IBM ITSX98E, 460mm

DIGITAL VIEW LTD. COPYRIGHT 2008, ALL RIGHTS RESERVED CONFIDENTIAL DRAWN BY: VICTOR NG		
Title LVDS CABLE: IBM ITSX98E, 460mm		
Size	Document Number	REV
B	(...\DV\DV_CABLE\C6496700.SCH)	00
Date:	March 18, 2008	Sheet 1 of 1