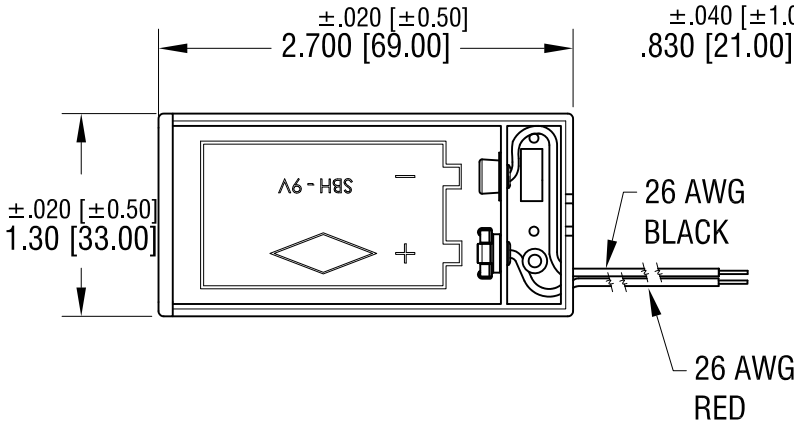
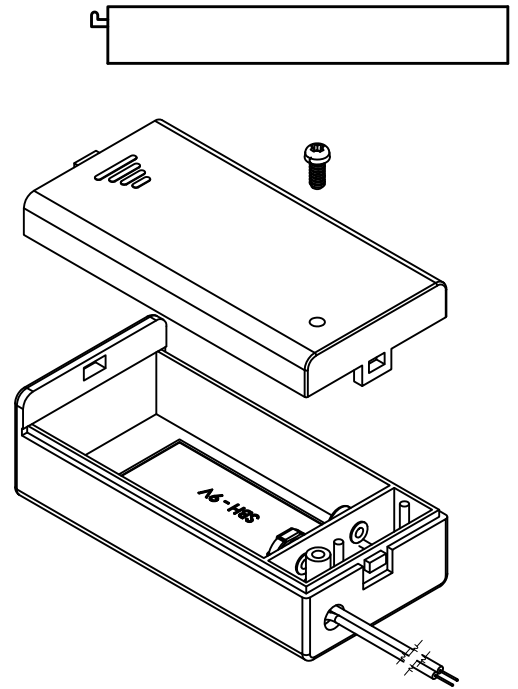
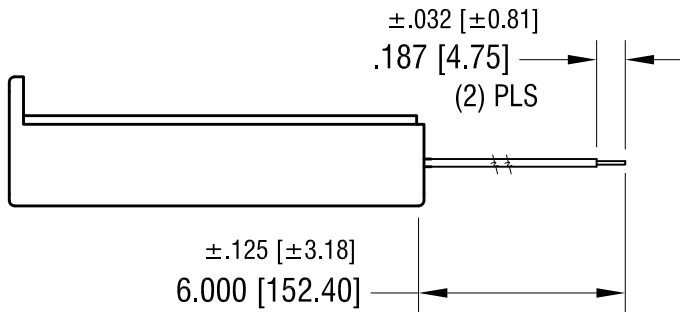
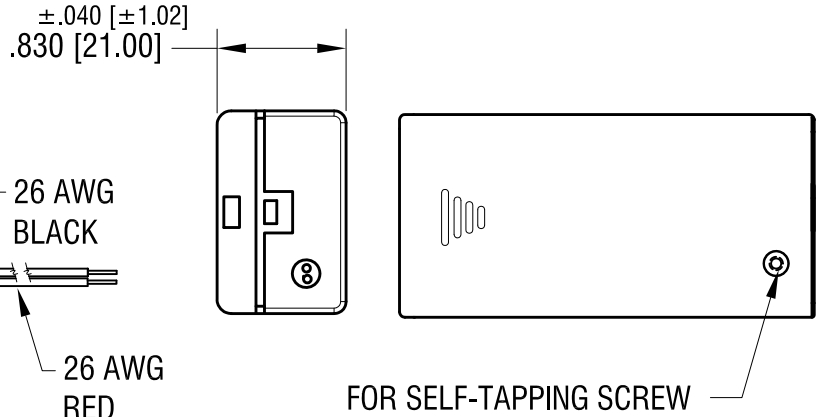


THIS DOCUMENT IS THE PROPERTY OF KEYSTONE ELECTRONICS CORP. AND SHALL NOT BE REPRODUCED, DISTRIBUTED OR USED AS A BASIS FOR MANUFACTURE WITHOUT PRIOR WRITTEN PERMISSION FROM KEYSTONE ELECTRONICS CORP.

HOLDER



COVER



NOTE:

1. HOLDER: MAT'L: A.B.S., BLACK
2. WIRE: 26 AWG, 1007 UL/CSA APPROVED
3. CONTACT: MAT'L- BRASS, NICKEL PLATE
4. RED WIRE CONNECTED TO FEMALE CONTACT
BLACK WIRE CONNECTED TO MALE CONTACT

KEYSTONE ELECTRONICS CORP.

www.keyelco.com • NEW HYDE PARK, NY 11040 • Tel (516) 328-7500

PART NAME

BATTERY HOLDER AND COVER 9V

MATERIAL

AS NOTED

FINISH

AS NOTED

DRN BY

NT

DATE

9.21.18

APP'D

LN

SCALE

.7X

TOLERANCES

INCH [MM]

DECIMAL ±.015 [±0.38]

ANGULAR ± 1°

UNLESS OTHERWISE SPECIFIED

CODE

C

DWG NO.

245

DATE

DESCRIPTION

REV.