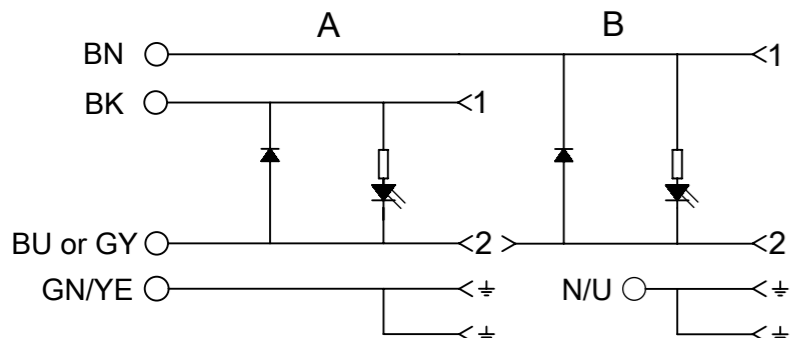
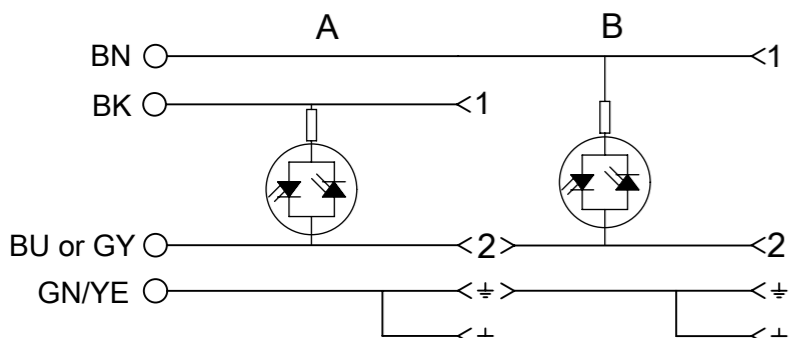


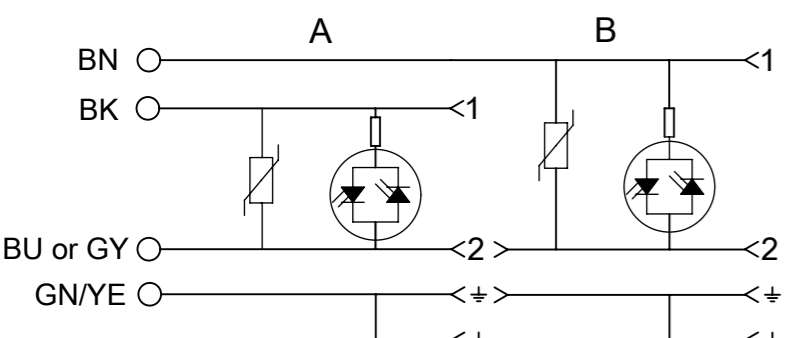
ELECTRICAL DIAGRAM - C3



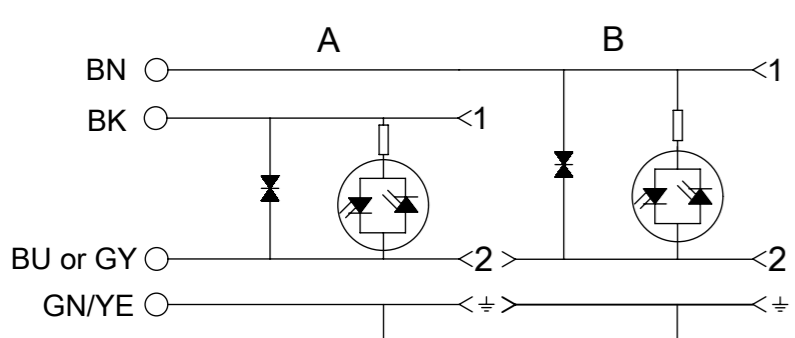
ELECTRICAL DIAGRAM - A1



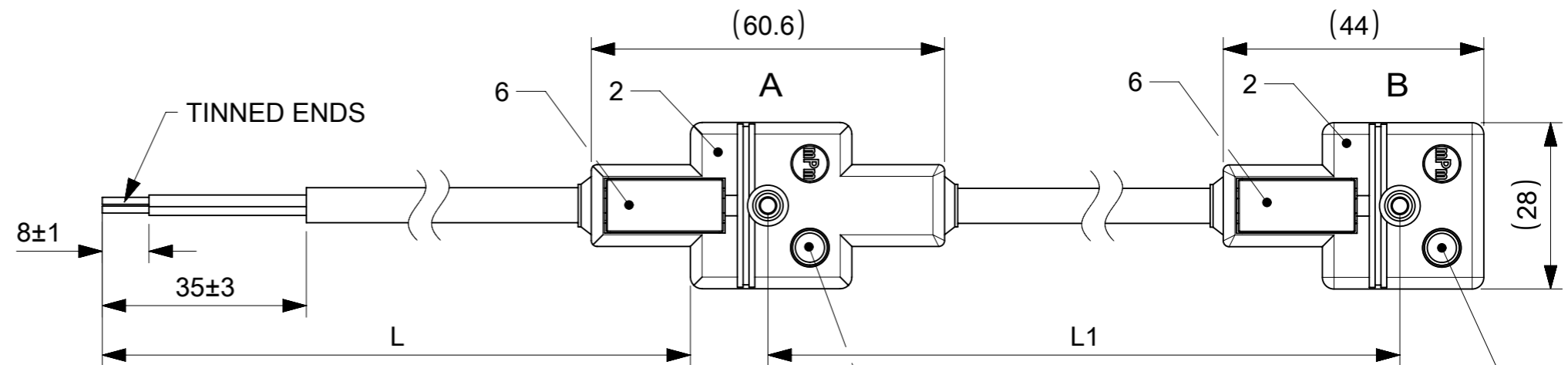
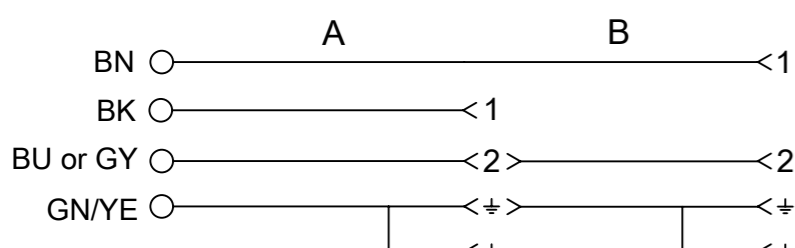
ELECTRICAL DIAGRAM - C4



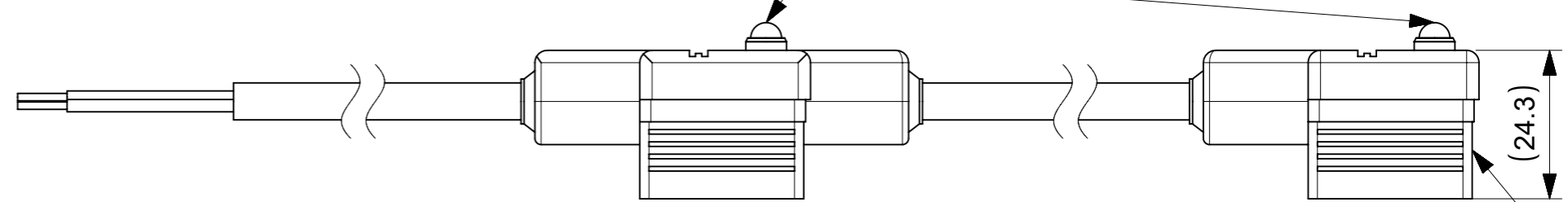
ELECTRICAL DIAGRAM - S0



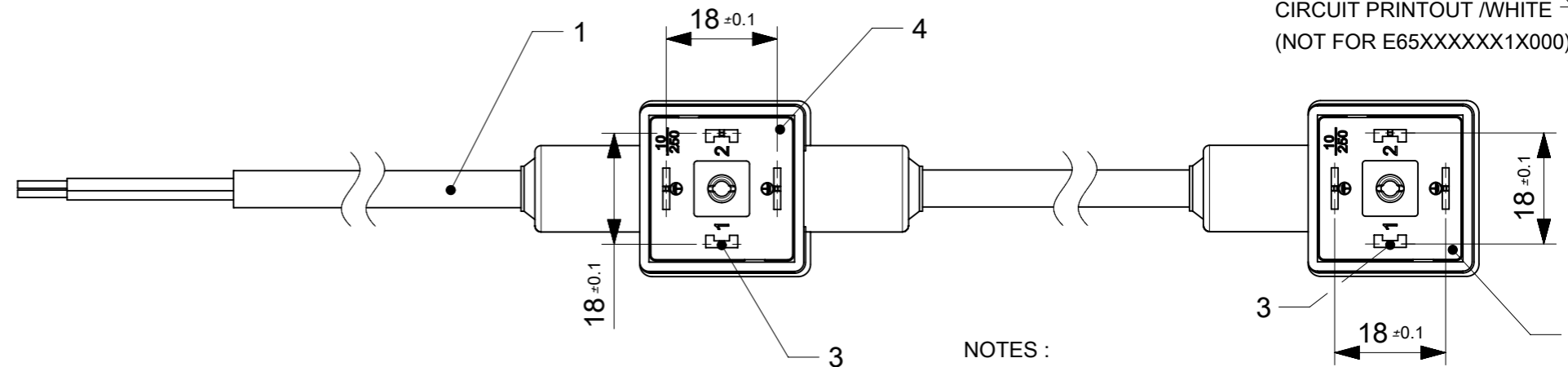
ELECTRICAL DIAGRAM - 00



IN CASE OF E65XXXXXXX1X000, WITHOUT LED



CIRCUIT PRINTOUT /WHITE (NOT FOR E65XXXXXXX1X000)



NOTES :

- ELECTRICAL - CURRENT : MAX. 5.0A
- CONTACT RESISTANCE : ≤15 milliohms MAX.
- INSULATION RESISTANCE : 100 Megaohms MIN.
- PHYSICAL - OPERATING TEMPERATURE WITH : NITRILE RUBBER (NBR) GASKET : -40°C TO +90°C
- LIVE CONTACT DISTANCE : FORM A - 18.00mm
- ENVIRONMENTAL - IP65 SEALING PROTECTION(FIXING SCREW)

BILL OF MATERIALS

ITEM	QTY.	DESCRIPTION	MATERIAL	FINISH
12	0/2	INTEGRATED GASKET	NBR	-
11	0/2	WASHER	NBR	-
10	0/2	SCREW M3x27	STEEL	ZINC
9	0/2	FLAT GASKET	NBR/SILICONE	-
8	0/2	PROFILE GASKET	NBR/SILICONE	-
7	0/2	SCREW M3x25	STEEL	ZINC
6	2	LABEL WHITE	ABS	-
5	0/2	PCB	-	-
4	2	INSERT DIN A	PA66+25%G V0	-
3	8	CONTACT DIN	BRASS	SILVER
2	-	MOULDING MATERIAL	PP	-
1	-	CABLE (SEE SHEET 3)	-	-

THIS DRAWING CONTAINS INFORMATION THAT IS PROPRIETARY TO MOLEX ELECTRONIC TECHNOLOGIES, LLC AND SHOULD NOT BE USED WITHOUT WRITTEN PERMISSION

DIMENSION UNITS	SCALE	CURRENT REV DESC: OBSOLETE PART NUMBERS	
mm	1:1		
GENERAL TOLERANCES (UNLESS SPECIFIED)			
ANGULAR TOL	± 1.0°		
4 PLACES	±	EC NO: 650268	2020/10/29
3 PLACES	±	DRWN: SUGEEB	2020/12/18
2 PLACES	± 0.05	CHK'D: GGA	2020/12/18
1 PLACE	± 0.3	APPR: GGA	2020/12/18
0 PLACES	± 0.5	INITIAL REVISION:	
DRAFT WHERE APPLICABLE MUST REMAIN WITHIN DIMENSIONS		DRWN: SSM	2020/07/31
THIRD ANGLE PROJECTION		APPR: RSILLER	2020/09/04
DRAWING	SERIES	MATERIAL NUMBER	CUSTOMER
A3-SIZE	121055	SEE SHEET 4	GENERAL MARKET

STANDARD E653 DIN FORM A

PRODUCT CUSTOMER DRAWING

DOCUMENT NUMBER: 1210550038

DOC TYPE: PSD

DOC PART: 000

REVISION: A1

SHEET NUMBER: 1 OF 4

ENGINEERING No. MATRIX

E 6 5 3 X X X X X X 1 X X X X

E - Packing without bag
W - Single Packing
Q - Quick Packing

Number of Wires
2 - 2 Poles
3 - 2 Poles + Ground
A - M12 STR , B - 90°

Cable type:
See Table

Head Colour:
G - Grey
N - Black
A - CSA-UL Black
B - CSA-UL Grey

Cable Length in Meters (L):
A=1
B=1.5
C=2
D=2.5
E=3
F=3.5
G=4
H=4.5
L=5
M=5.5
N=6
P=6.5
Q=7
R=7.5
S=8
T=8.5
U=9
K=10

Cable Length in cm Between 2 connectors (L1)
15=15 cm
30=30 cm
1K=100 cm
min length=13 cm

Earth PIN Location:
1=6/12 - earth on 6H/12H
2=12/1 earth on 12H
6=6/1 1 earth on 6H

Internal Circuit
see Wiring Configuration

Type of Gasket and Screw:
1 = NBR Profile Gasket + Fixing Screw M3x25mm
2 = NBR Flat Gasket + Fixing Screw M3x25mm
3 = Silicone Profile Gasket + Fixing Screw M3x25mm
4 = Silicone Flat Gasket + Fixing Screw M3x25mm
P = NBR Integrated Gasket + Fixing Screw with Washer M3x27mm Assembled on Connector
R = NBR Integrated Gasket + Fixing Screw with Washer M3x27mm NOT Assembled on Connector
T = NBR Profile Gasket + Fixing Screw with Washer M3x27mm

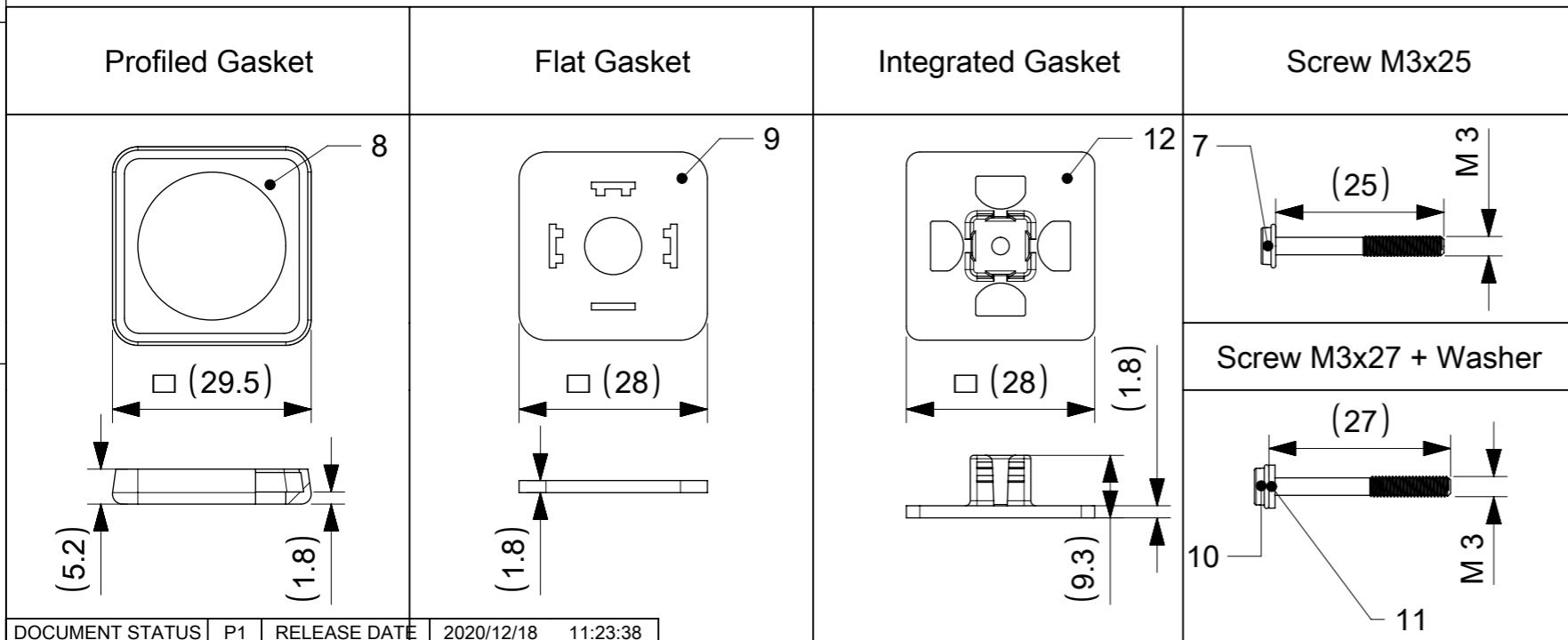
Voltage and LED color

1= 12V
2= 24V
3= 48V
4= 115V
5= 230V
RED LED

A= 12V
B= 24V
C= 48V
D= 115V
E= 230V
GREEN LED

G= 12V
H= 24V
K= 48V
L= 115V
M= 230V
YELLOW LED

Type of Screws and Gaskets


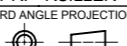


THIS DRAWING CONTAINS INFORMATION THAT IS PROPRIETARY TO MOLEX ELECTRONIC TECHNOLOGIES, LLC AND SHOULD NOT BE USED WITHOUT WRITTEN PERMISSION		CURRENT REV DESC: OBSOLETE PART NUMBERS		molex	
STANDARD E653 DIN FORM A		PRODUCT CUSTOMER DRAWING			
EC NO: 650268		2020/10/29		DOCUMENT NUMBER	
DRWN: SUGEEB		2020/12/18		1210550038	
CHK'D: GGA		2020/09/04		DOC TYPE	
APPR: GGA		2020/09/04		PSD	
INITIAL REVISION:		2020/07/31		DOC PART	
DRWN: SSM		2020/09/04		000	
APPR: RSILLER		2020/09/04		REVISION	
DRAFT WHERE APPLICABLE MUST REMAIN WITHIN DIMENSIONS		THIRD ANGLE PROJECTION		A1	
DRAWING		SERIES		SHEET NUMBER	
A3-SIZE		121055		2 OF 4	
MATERIAL NUMBER		CUSTOMER		DATE	
SEE SHEET 4		GENERAL MARKET		2020/12/18	

TABLE 1 - CABLES

mPm	Code	Wires	Cross Section	Material	Colour	Diameter ϕ
I	0	3	1 mm ²	PVC CEI 2022 II O.R.	Grey RAL7035	6.4±0.2 mm
A	2	2	20 AWG	PVC CSA/UL 2661	Black	5.4±0.2 mm
A	2	3	20 AWG	PVC CSA/UL 2661	Black	5.6±0.2 mm
A	2	4	20 AWG	PVC CSA/UL 2661	Black	6.2±0.25 mm
A	2	5	20 AWG	PVC CSA/UL 2661	Black	7±0.2 mm
B	2	2	20 AWG	PUR CSA/UL 20668	Black	5.6±0.2 mm
B	2	3	20 AWG	PUR CSA/UL 20668	Black	5.6±0.2 mm
B	2	4	20 AWG	PUR CSA/UL 20668	Black	6.2±0.2 mm
B	2	5	20 AWG	PUR CSA/UL 20668	Black	7±0.2 mm
D	2	3	0.5 mm ²	PVC TI2 CEI 20-20	Grey	5.5±0.2 mm
F	2	3	0.5 mm ²	CNEOMO	Grey RAL7000	5.5±0.2 mm
I	2	2	0.5 mm ²	PVC CEI 2022 II O.R.	Grey RAL7035	5.5+0.3/-0 mm
I	2	3	0.5 mm ²	PVC CEI 2022 II O.R.	Grey RAL7035	5.5+0.3/-0 mm
I	2	4	0.5 mm ²	PVC CEI 2022 II O.R.	Grey RAL7035	6.5±0.2 mm
I	2	5	0.5 mm ²	PVC CEI 2022 II O.R.	Grey RAL7035	7±0.2 mm
N	2	2	0.5 mm ²	PVCH03	Black	5.2±0.2 mm
N	2	3	0.5 mm ²	PVCH03	Black	5.5±0.2 mm
N	2	4	0.5 mm ²	PVCH03	Black	6.9 mm max
P	2	2	0.5 mm ²	PUR-BLEND	Black	5.5±0.2 mm
P	2	3	0.5 mm ²	PUR-BLEND	Black	5.5+0.3/-0 mm
P	2	4	0.5 mm ²	PUR-BLEND	Black	6.5±0.2 mm
P	2	5	0.5 mm ²	PUR-BLEND	Black	7+0.3/-0.1 mm
A	3	2	18 AWG	PVC CSA/UL 2661	Black	6.5±0.25 mm
A	3	3	18 AWG	PVC CSA/UL 2661	Black	6.5±0.25 mm
A	3	4	18 AWG	PVC CSA/UL 2661	Black	7±0.3 mm
A	3	5	18 AWG	PVC CSA/UL 2661	Black	7.8±0.25 mm
B	3	2	18 AWG	PUR CSA/UL 20668	Black	6.8±0.2 mm
B	3	3	18 AWG	PUR CSA/UL 20668	Black	6.5±0.2 mm
B	3	4	18 AWG	PUR CSA/UL 20668	Black	7±0.2 mm
B	3	5	18 AWG	PUR CSA/UL 20668	Black	7.8±0.2 mm
D	3	3	0.75 mm ²	PVC TI2 CEI 20-20	Grey	6.5±0.2 mm
D	3	4	0.75 mm ²	PVC TI2 CEI 20-20	Grey	7.1±0.2 mm
I	3	2	0.75 mm ²	PVC CEI 2022 II O.R.	Grey RAL7001	5.5±0.2 mm
I	3	3	0.75 mm ²	PVC CEI 2022 II O.R.	Grey RAL7035	6±0.2 mm
I	3	4	0.75 mm ²	PVC CEI 2022 II O.R.	Grey RAL7035	7±0.2 mm
N	3	2	0.75 mm ²	PVCH05	Black	6.2±0.2 mm
N	3	3	0.75 mm ²	PVCH05	Black	6.5±0.2 mm
N	3	4	0.75 mm ²	PVCH05	Black	7.1±0.2 mm
N	3	5	0.75 mm ²	PVCH05	Black	8.0+0.2/-0 mm
P	3	2	0.75 mm ²	PUR-BLEND	Black	6.5±0.2 mm

mPm	Code	Wires	Cross Section	Material	Colour	Diameter ϕ
P	3	3	0.75 mm ²	PUR-BLEND	Black	6.5±0.2 mm
P	3	4	0.75 mm ²	PUR-BLEND	Black	7±0.2 mm
R	3	3	0.75 mm ²	TPR HAL. FREE	Black	6.5±0.2 mm
T	3	3	0.75 mm ²	PUR CSA/UL	Yellow	6.5±0.2 mm
Y	3	3	0.75 mm ²	SIL/0300	Red	6.5±0.2 mm
F	4	3	1 mm ²	CNEOMO	Grey RAL7000	7.1+0.2/-0 mm
F	4	4	1 mm ²	CNEOMO	Grey RAL7000	7.1+0.2/-0 mm
I	4	2	1 mm ²	PVC CEI 2022 II O.R.	Grey RAL7035	7.1+0.2/-0 mm
I	4	3	1 mm ²	PVC CEI 2022 II O.R.	Grey RAL7035	7.1+0.2/-0 mm
N	4	2	1 mm ²	PVCH05	Black	6.5±0.2 mm
N	4	3	1 mm ²	PVCH05	Black	6.9±0.2 mm
R	4	3	1 mm ²	TPR HAL. FREE	Black	7.1±0.2 mm
N	5	3	1.5 mm ²	PVCH05	Black	8.3+0.2/-0 mm
I	6	2	0.35 mm ²	PVC CEI 2022 II O.R.	Grey RAL7035	4.8±0.2 mm
A	7	3	20 AWG	PVC CSA/UL 2661	Yellow	5.6±0.2 mm
I	9	4	0.75 mm ²	PVC CEI 2022 II O.R.	Grey RAL7035	7.3±0.2 mm

THIS DRAWING CONTAINS INFORMATION THAT IS PROPRIETARY TO MOLEX ELECTRONIC TECHNOLOGIES, LLC AND SHOULD NOT BE USED WITHOUT WRITTEN PERMISSION									
DIMENSION UNITS	SCALE	CURRENT REV DESC: OBSOLETE PART NUMBERS							
mm	1:1								
GENERAL TOLERANCES (UNLESS SPECIFIED)									
ANGULAR TOL	± 1.0°	STANDARD E653 DIN FORM A							
4 PLACES	±	PRODUCT CUSTOMER DRAWING							
3 PLACES	±	EC NO: 650268 DRWN: SUGEEB 2020/10/29 CHK'D: GGA 2020/12/18 APPR: GGA 2020/12/18							
2 PLACES	± 0.05	INITIAL REVISION:							
1 PLACE	± 0.3	DRWN: SSM 2020/07/31 APPR: RSILLER 2020/09/04							
0 PLACES	± 0.5	DOCUMENT NUMBER		DOC TYPE		DOC PART		REVISION	
DRAFT WHERE APPLICABLE MUST REMAIN WITHIN DIMENSIONS		1210550038		PSD		000		A1	
THIRD ANGLE PROJECTION		DRAWING		SERIES		MATERIAL NUMBER		CUSTOMER	
		A3-SIZE		121055		SEE SHEET 4		GENERAL MARKET	
								SHEET NUMBER	
								3 OF 4	


PART LIST

SL No.	MOLEX P/N	ENGINEERING No.
1	1210503245	E653P3NL201PC45
2	1210503246	E653P3NK201PC45
3	1210503247	E653P3NW201PC45
4	1210503402	E653P3NL2011C4L
5	1210503500	E653B2AE131PC4H
6	-	-
7	1210503502	E653B2AK131PC4H
8	-	-
9	1210503504	E653B2AL131PC4H
10	-	-
11	1210550038	E653P3NE1311C4H
12	1210550048	E653P3NL2011000
13	1210550055	E653N3NA3011000
14	1210550063	E653I3NE1411C4H
15	1210550065	E653I3NL1411C4H
16	1210550067	E653I3NL1611C4H
17	1210550079	E653P3NC1312C3B
18	1210550080	E653B3AE1311C4H
19	1210550082	E653B3AE2111C4H
20	1210550083	E653N3NC8011000
21	1210550086	E653P3NL1511C42
22	1210550089	E653P3NC1311000
23	1210550091	E653P3NE1611C4H
24	1210550098	E653P3NE201TS0H
25	1210550120	E653N3NA2011A1B
26	1210550125	E653I3NK1411C4H
27	1210550126	E653P3NA1511C4G
28	1210550140	E653B3NL1311C4H
29	1210550142	E653N3NM1311C4H
30	1210550143	E653P3NL201PS0B
31	1210550147	E653P3NL1511C4H
32	1210550148	E653P3NE201PS0B
33	1210550149	E653N3NL1361C4H
34	1210550156	E653P2NB3011C4B
35	1210550157	E653P3NE2011C4H
36	1210550159	E653P3NE1511C4H
37	1210550161	E653P3NA1311C4H
38	1210550163	E653P3NE5011C4H
39	1210550167	E653P3NL1311S0H
40	1210550168	E653P3NA3211C4H

SL No.	MOLEX P/N	ENGINEERING No.
41	1210550169	E653P3NA131PC3H
42	1210550171	E653P3NC131PC3B
43	1210550174	E653P3NL2011C4H
44	1210550175	E653P3NC131P000
45	1210550181	E653P3NE1311S0H
46	1210550182	E653P3NN1511C42
47	1210550186	E653P3NC4014C4H
48	1210550189	E653N3NE2211C42
49	1210550253	E653N3NA5011000
50	1210550255	E653P3NB201PS0H
51	1210550256	E653P3NC151PS0H
52	1210550258	E653P3NA131PC4H
53	1210550261	E653P3NA1311C71
54	1210550266	E653B3AL2111C4H
55	1210550268	E653P3NK2011C4H
56	1210550269	E653P3NB1311C31
57	1210550273	E653P3NL5011C3H
58	1210550277	E653P3NU201PC4H
59	1210550280	E653P3NA151PS0H
60	1210550282	E653P3NB131PC31
61	1210550283	E653N3NS2811000
62	1210550284	E653N3NP2221C4H
63	1210550285	E653N3NP2221C4L
64	1210550286	E653N3NP221000
65	1210550287	E653N3NP1321C4H
66	1210550288	E653N3NP1321C4L
67	1210550289	E653N3NP1321000
68	1210550290	E653P3NL201PC4H
69	1210550291	E653P3NL251PC4H
70	1210550298	E653P3NL251PC4M
71	1210550299	E653N3NA201PA1B
72	1210550311	E653A3AA161PC31
73	1210550312	E653A3AA161PC3A
74	1210550313	E653A3AA161PC3G
75	1210550315	E653P3NE501PC4H
76	1210550317	E653B3AK1311C4H
77	1210550318	E653B3AK2111C4H
78	1210550322	E653P3NC4014000
79	1210550324	E653P3NK201PS0B
80	1210550330	E653P3NL131PC35

SL No.	MOLEX P/N	ENGINEERING No.
81	1210550337	E653B3AE1411C4H
82	1210550338	E653P3NL131PC44
83	1210550357	E653A3AB1513C4H
84	1210550358	E653P3NG131PC4H

Over	Up to and Including	Tolerance
0	500	-10/+20
500	1000	±20
1000	3000	±30
3000	5000	±40
5000	10000	±50
10000	15000	±100
15000	20000	±150
20000		±L/100

THIS DRAWING CONTAINS INFORMATION THAT IS PROPRIETARY TO MOLEX ELECTRONIC TECHNOLOGIES, LLC AND SHOULD NOT BE USED WITHOUT WRITTEN PERMISSION			
DIMENSION UNITS	SCALE	CURRENT REV DESC: OBSOLETE PART NUMBERS	
mm	1:1	 STANDARD E653 DIN FORM A PRODUCT CUSTOMER DRAWING	
GENERAL TOLERANCES (UNLESS SPECIFIED)			
ANGULAR TOL	± 1.0 °		
4 PLACES	±		
3 PLACES	±		
2 PLACES	± 0.05	EC NO: 650268	2020/10/29
1 PLACE	± 0.3	DRWN: SUGEEB	2020/12/18
0 PLACES	± 0.5	CHK'D: GGA	2020/12/18
DRAFT WHERE APPLICABLE MUST REMAIN WITHIN DIMENSIONS		APPR: GGA	2020/12/18
THIRD ANGLE PROJECTION		INITIAL REVISION:	DOCUMENT NUMBER
DRAWING		DRWN: SSM	1210550038
SERIES		APPR: RSILLER	DOC TYPE
MATERIAL NUMBER		2020/07/31	DOC PART
CUSTOMER		2020/09/04	REVISION
SEE PART LIST		A3-SIZE	PSD
GENERAL MARKET		121055	000
4 OF 4			A1