

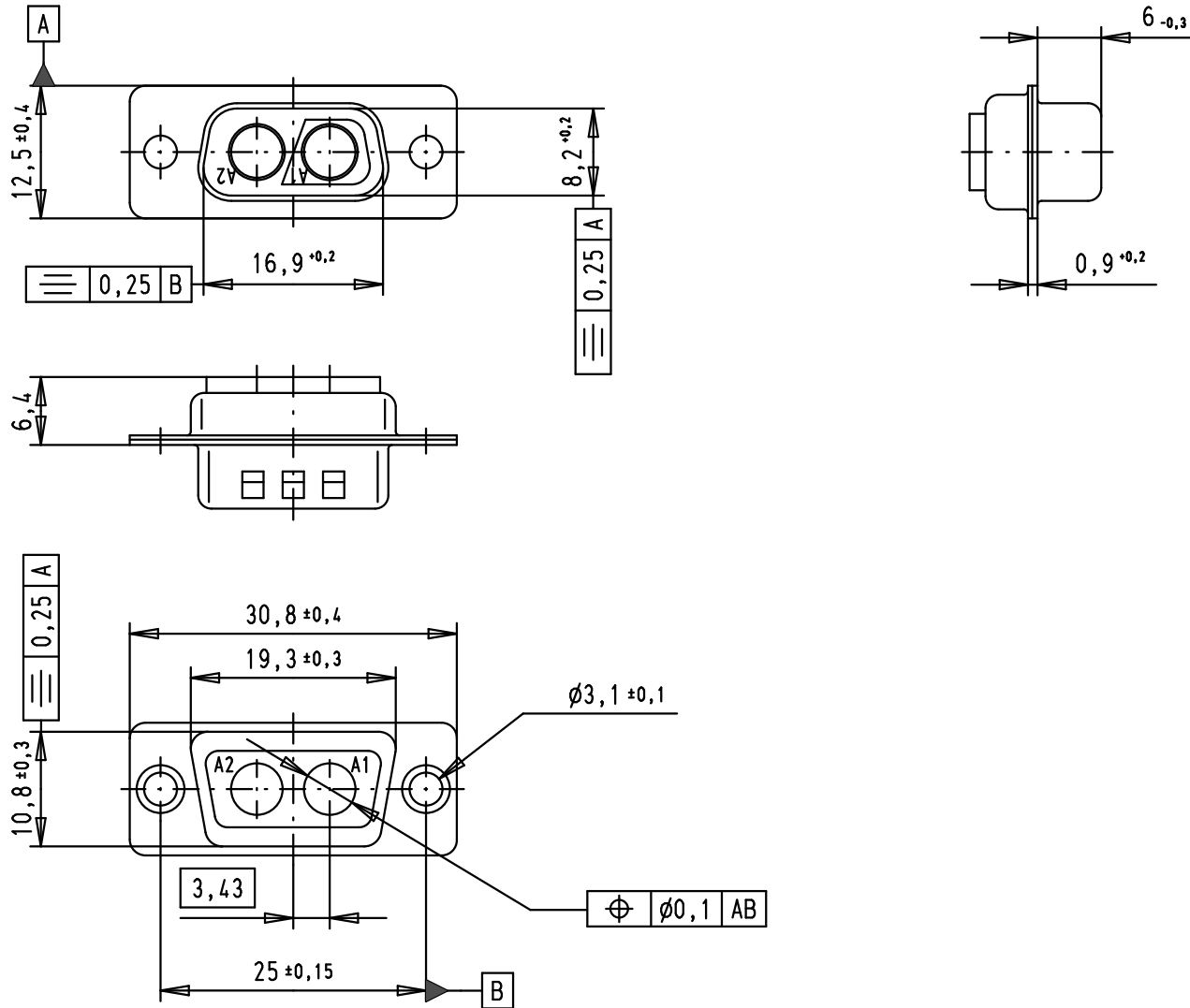
5

4

3

2

1



A

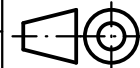
09 69 110 0022.500

Non magnetic

09 69 110 0022

Part number

Mod.	Dat.	Name	Detail.	Dat.	Name
EC01864	11/05/10	SC	Insp.	21-AUG-02	CV
32119	23/06/04	AC	Stand.		
31545	24/09/03	AF			
31076	21-AUG-02	CV			
			HARTING EURL F-95972 Paris		



All Dim. in mm
Orig. Size DIN A 4



D-Sub, male, 2W2C, without contacts, with tin plated shell with dimples

TB 09 69 110 0022

Sub.

Maßstab/
Scale

1,5:1

Blatt/ Page

1