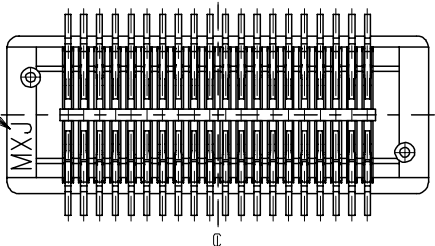


参考基板レイアウト (マウント面)
RECOMMENDED P.C. BOARD
PATTERN DIMENSION. (REF.)
(MOUNTING AREA)

- △ (全極数/2) = 偶数の場合に適用。
APPLY FOR (CIRCUIT/2)=EVEN.
4. 嵌合相手: 55339 シリーズ
MATE WITH: 55339 SERIES.
 5. テール平坦度は、0.08MAX。
TAIL COPLANARITY TO BE 0.08MAX.
又、テール半田付け面の位置はハウジングの底面 [X] に対し
上方向に0、下方向に0.15MAX. とする。
MISALIGNMENT OF SOLDER TAILS FROM [X]
: UPPER DIRECTION 0
: LOWER DIRECTION 0.15 MAX.

トレードマーク
TRADE MARK



注記 NOTES:

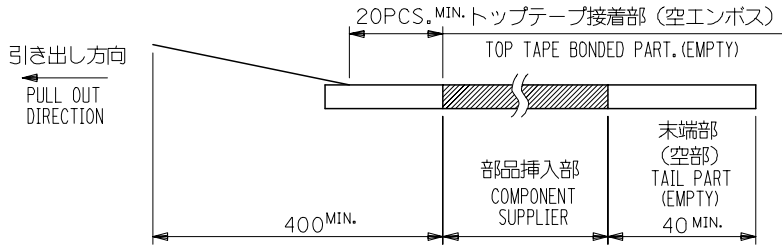
1. 使用材料 MATERIAL
ハウジング: 液晶ポリマー ガラス充填 UL94V-0 茶色
HOUSING: LIQUID CRYSTAL POLYMER
GLASS FILLED UL94V-0
COLOR BROWN
ターミナル: リン青銅 (t=0.15)
TERMINAL: PHOSPHOR BRONZE (t=0.15)
2. メッキ仕様 PLATING
金メッキ 0.25 マイクロメートル以上 (コンタクト部)
GOLD 0.25MICROMETER MINIMUM (CONTACT AREA)
金メッキ 0.4 マイクロメートル以下 (テール部)
GOLD 0.4MICROMETER MAXIMUM (TAIL AREA)
下地メッキ: ニッケルメッキ 1.5 マイクロメートル以上
UNDER PLATING: NICKEL 1.5MICROMETER MINIMUM

24.6	25.5	23.6	26.7	54477-1207	120
18.6	19.5	17.6	20.7	54477-0907	90
16.6	17.5	15.6	18.7	54477-0807	80
12.6	13.5	11.6	14.7	54477-0607	60
D	C	B	A	MATERIAL NO.	CIRCUIT
MODEL NO.				54477-***7	

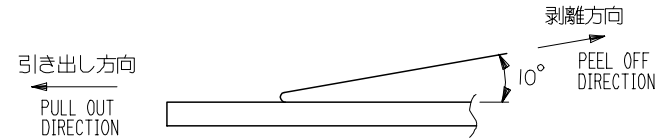
REVISED EC NO: J2005-3657 DRW: KASAKI 2005/08/19 CHK: D. THIRATA 2005/08/19 APPR: THIRATA 2005/08/24 REV	GENERAL TOLERANCES (UNLESS SPECIFIED)		DIMENSION STYLE MM ONLY		SCALE ---	DESIGN UNITS METRIC	THIRD ANGLE PROJECTION
	10 UNDER	±0.2	DRAWN BY M. HAYASHI	DATE 1998/08/28	TITLE 0.4 MM B-TO-B CONN REC HSG ASSY (HGT=4MM)		
	10 OVER 30 UNDER	±0.25	CHECKED BY T. ITO	DATE 1999/07/27	APPROVED BY M. FUKUSHIMA 1999/07/27		
	30 OVER	±0.3	MATERIAL NO.		DOCUMENT NO. SD-54477-003		
	ANGULAR	±3 °	SIZE A3		SHEET NO. 1 OF 1		
DRAFT WHERE APPLICABLE MUST REMAIN WITHIN DIMENSIONS							
THIS DRAWING CONTAINS INFORMATION THAT IS PROPRIETARY TO MOLEX INCORPORATED AND SHOULD NOT BE USED WITHOUT WRITTEN PERMISSION							

NOTES

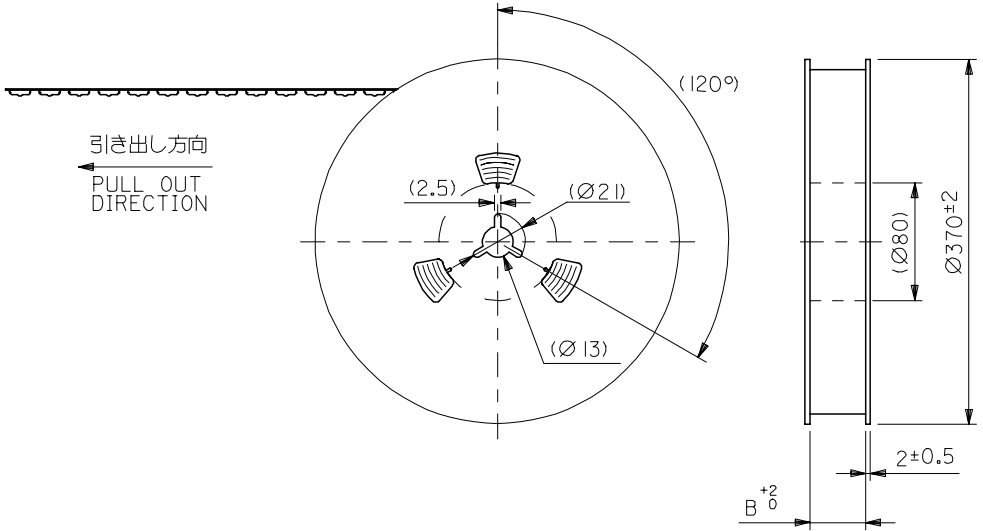
- 製品詳細寸法については図面 SD-54477-003 を参照下さい。
RE DETAILED DIMENSION, SEE SD-54477-003
- 梱包数量：1500個/リール
NUMBER OF CONNECTORS : 1500PCS/REEL
- リードテープ長さ LEAD TAPE LENGTH



- トップテープの剥離強度：0.1N ~ 0.7N(10.2gf ~ 71.4gf)
(剥離方向は下図参照)
尚、本規格値は出荷時に適用。(但し、輸送時に剥離が発生しないこと。)
PEELING OFF FORCE OF TOP TAPE : 0.1N ~ 0.7N(10.2gf ~ 71.4gf)
(PEELING DIRECTION AS SHOWN IN FOLLOWING FIG.)
THIS REQUIREMENT SHOULD BE APPLIED AT SHIPMENT.
PEEL OFF SHOULD NOT BE ALLOWED , DURING TRANSPORTATION.



- 材料 (MATERIAL)
キャリアテープ (CARRIER TAPE) : ポリプロピレン (POLYPROPYLENE)
トップテープ (TOPTAPE) : PET , PE , PEF
リール (REEL) : 紙製 (CARD BOARD)



REVISED EC NO: J2005-3657 DRWN: KASAKI 2005/08/19 CHKD: THIRATA 2005/08/19 APPR: THIRATA 2005/08/24	GENERAL TOLERANCES (UNLESS SPECIFIED)		DIMENSION STYLE MM ONLY		SCALE ---	DESIGN UNITS METRIC	THIRD ANGLE PROJECTION	
	10 UNDER	±0.2	DRAWN BY M. HAYASHI	DATE 1998/08/28	TITLE EMBOSSSED TAPE PACKAGE FOR 54477-***7			
	10 OVER 30 UNDER	±0.25	CHECKED BY T. ITO	DATE 1999/01/27	MATERIAL NO. SEE CHART			
	30 OVER	±0.3	APPROVED BY M. FUKUSHIMA	DATE 1999/01/27	DOCUMENT NO. SD-54477-004			
	ANGULAR	±3 °	DRAFT WHERE APPLICABLE MUST REMAIN WITHIN DIMENSIONS		SIZE A3	SHEET NO. 1 OF 3		

10 9 8 7 6 5 4 3 2 1

F

E

D

C

B

A

F

E

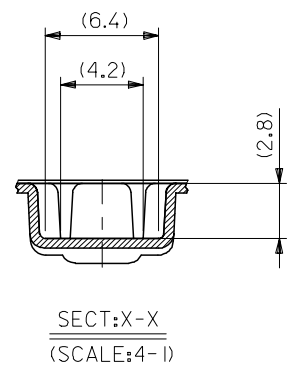
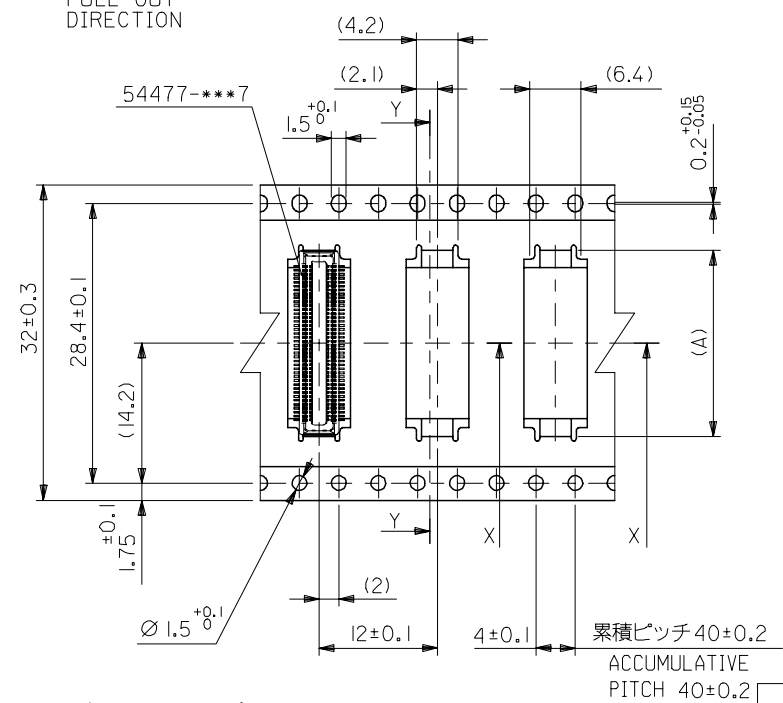
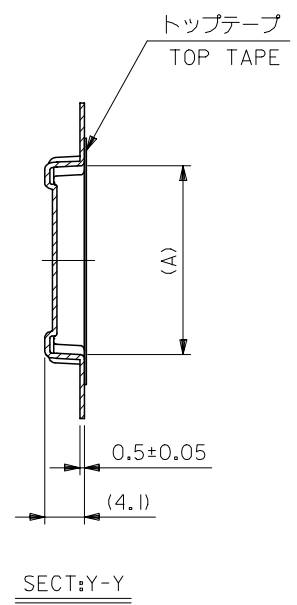
D

C

B

A

引き出し方向
PULL OUT
DIRECTION



32mm幅キャリアテープ
32mm WIDTH CARRIER TAPE

32	32.4	20.9	54477-0908	90
		18.9	54477-0808	80
		14.9	54477-0608	60
キャリアテープ幅 CARRIER TAPE WIDTH	B	(A)	MATERIAL NO.	極数 CKT.
MODEL NO.	54477-***8			

REVISED EC NO: J2005-3657 DRW:KASAKI 2005/08/19 CHKD:HIRATA 2005/08/19 APPR:HIRATA 2005/08/24	GENERAL TOLERANCES (UNLESS SPECIFIED)		DIMENSION STYLE MM ONLY	SCALE ---	DESIGN UNITS METRIC	THIRD ANGLE PROJECTION
	10 UNDER	±0.2	DRAWN BY M. HAYASHI	DATE 1998/08/28	TITLE EMBOSSD TAPE PACKAGE FOR 54477-***7	
	10 OVER 30 UNDER	±0.25	CHECKED BY T. ITO	DATE 1999/01/27	APPROVED BY M. FUKUSHIMA 1999/01/27	
	30 OVER	±0.3	MATERIAL NO.		DOCUMENT NO. SD-54477-004	
	ANGULAR	±3 °	SEE CHART		SHEET NO. 2 OF 3	
DRAFT WHERE APPLICABLE MUST REMAIN WITHIN DIMENSIONS		SIZE A3	THIS DRAWING CONTAINS INFORMATION THAT IS PROPRIETARY TO MOLEX INCORPORATED AND SHOULD NOT BE USED WITHOUT WRITTEN PERMISSION			

10 9 8 7 6 5 4 3 2 1

F

E

D

C

B

A

F

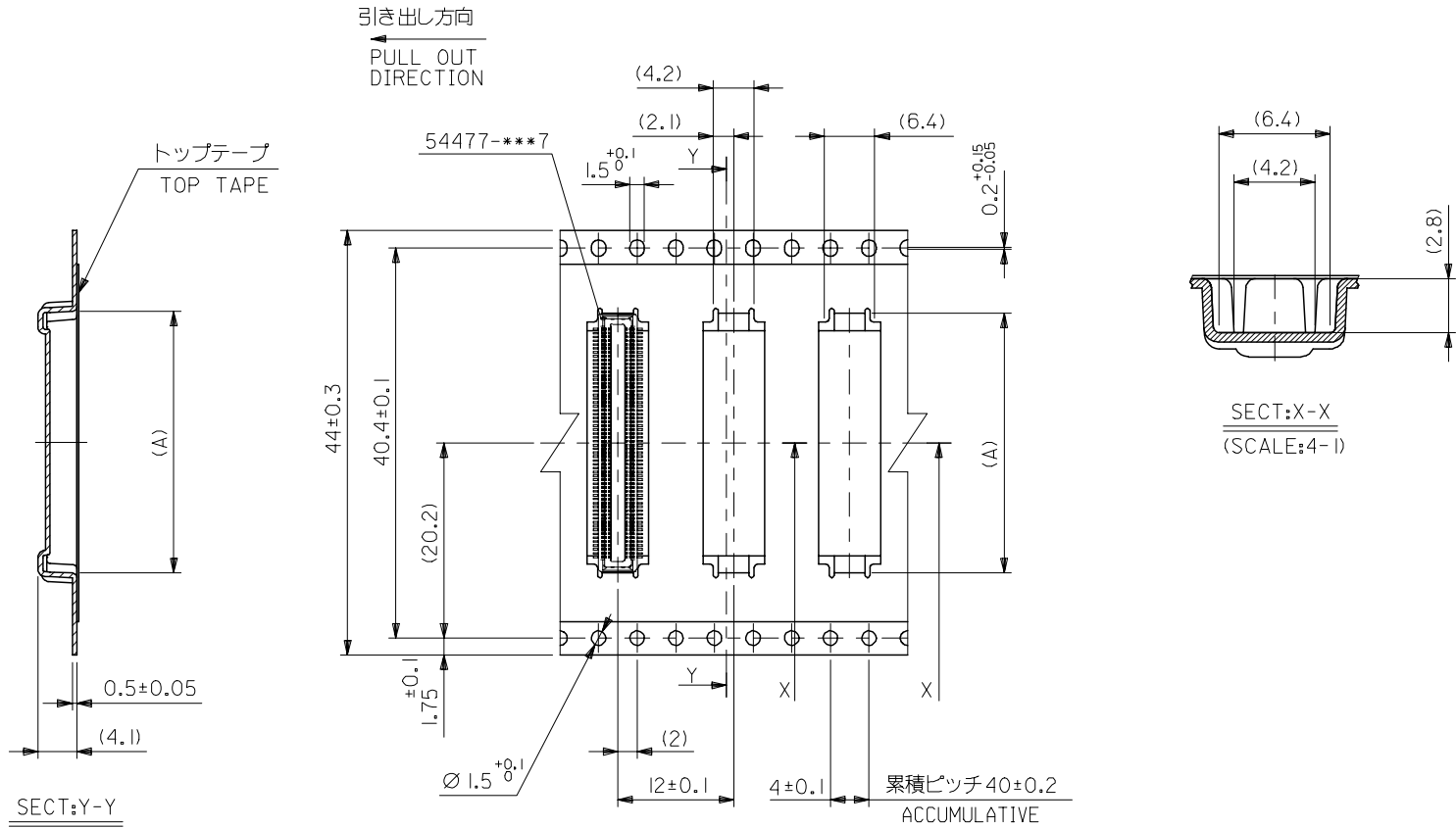
E

D

C

B

A



44mm幅キャリアテープ
44mm WIDTH CARRIER TAPE

累積ピッチ 40±0.2
ACCUMULATIVE PITCH 40±0.2

44	44.4	26.9	54477-1208	120
キャリアテープ幅 CARRIER TAPE WIDTH	B	(A)	MATERIAL NO.	極数 CKT.
MODEL NO.	54477-***8			

REVISED EC NO: J2005-3657 DRWN:KASAKI 2005/08/19 CHKD:THIRATA 2005/08/19 APPR:THIRATA 2005/08/24	GENERAL TOLERANCES (UNLESS SPECIFIED)		DIMENSION STYLE MM ONLY		SCALE ---	DESIGN UNITS METRIC	THIRD ANGLE PROJECTION
	10 UNDER	±0.2	DRAWN BY M. HAYASHI	DATE 1998/08/28	TITLE EMBOSSD TAPE PACKAGE FOR 54477-***7		
	10 OVER 30 UNDER	±0.25	CHECKED BY T. ITO	DATE 1999/01/27	APPROVED BY M. FUKUSHIMA 1999/01/27		
	30 OVER	±0.3	APPROVED BY M. FUKUSHIMA 1999/01/27		MOLEX INCORPORATED		
	ANGULAR ±3 °	DRAFT WHERE APPLICABLE MUST REMAIN WITHIN DIMENSIONS		MATERIAL NO. SEE CHART	DOCUMENT NO. SD-54477-004	SHEET NO. 3 OF 3	
				SIZE A3	THIS DRAWING CONTAINS INFORMATION THAT IS PROPRIETARY TO MOLEX INCORPORATED AND SHOULD NOT BE USED WITHOUT WRITTEN PERMISSION		