

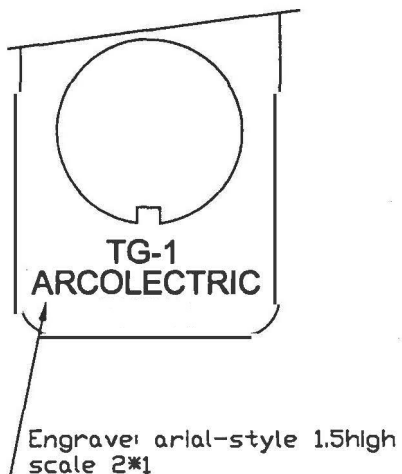
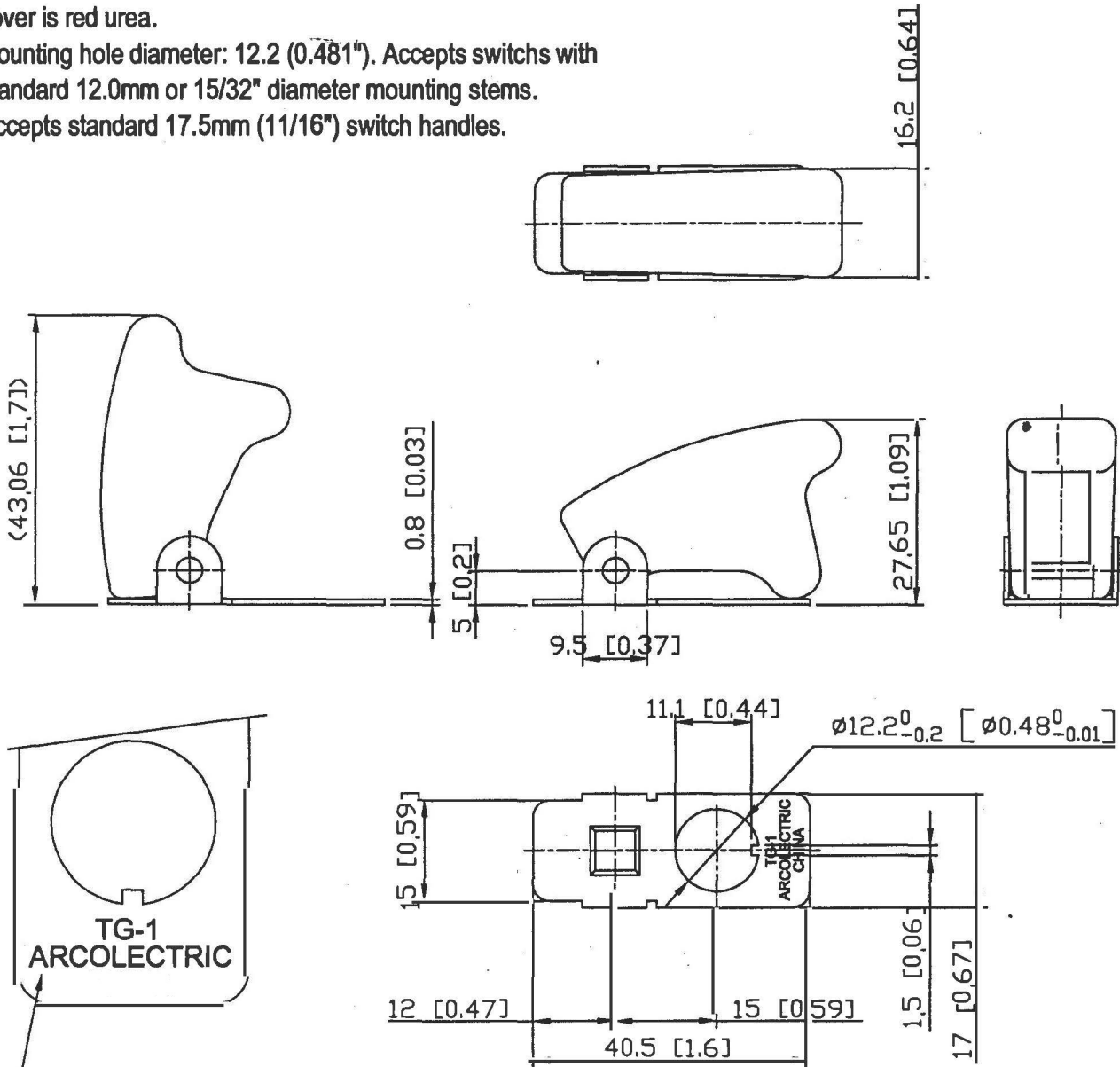
11/2/05

**Part name: Safety cover**

Face plate is steel, with black glossy finish. Spring-loaded switch cover is red urea.

Mounting hole diameter: 12.2 (0.481"). Accepts switches with standard 12.0mm or 15/32" diameter mounting stems.

Accepts standard 17.5mm (11/16") switch handles.



±0.3

Tolerance ±0.1mm excepted notice  
Unit: mm[inch]

| Customer No | No.          | Date     | Name | Descriptions |
|-------------|--------------|----------|------|--------------|
| Name        | Safety Cover |          |      |              |
| Model No.   | TG-1         |          |      |              |
| Drawing     | Check        | Approval |      |              |
| Danny       |              |          |      |              |
| 11/29/01    |              |          |      |              |