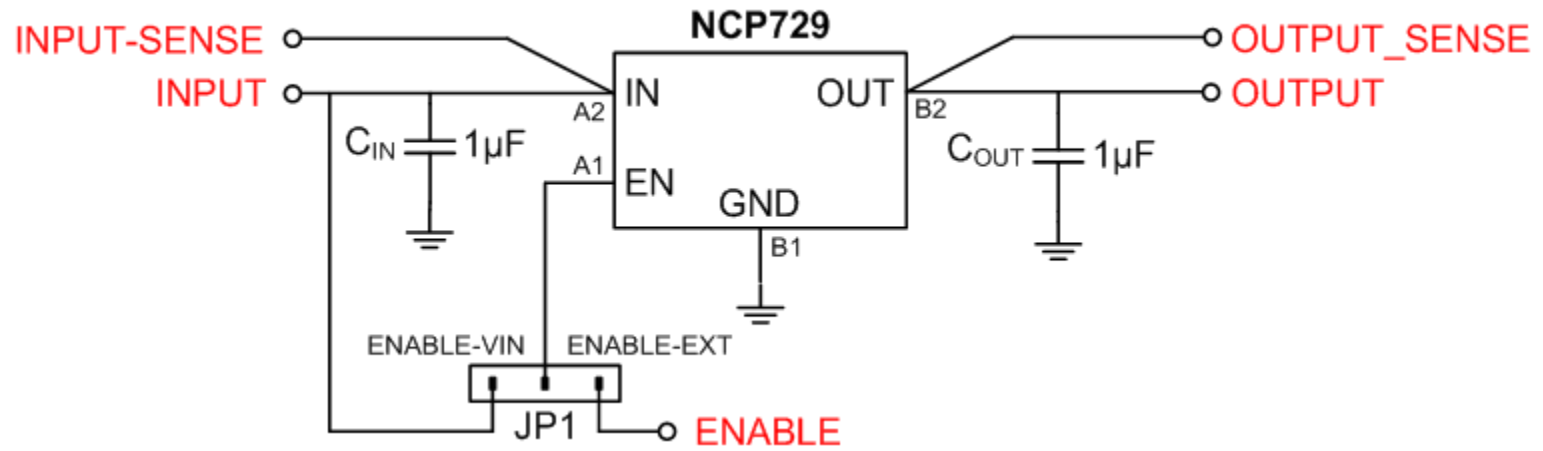




### Schematic for the NCP729FC28GEVB Evaluation Board



NCP729, 200mA, Ultra-Low Noise LDO Schematics