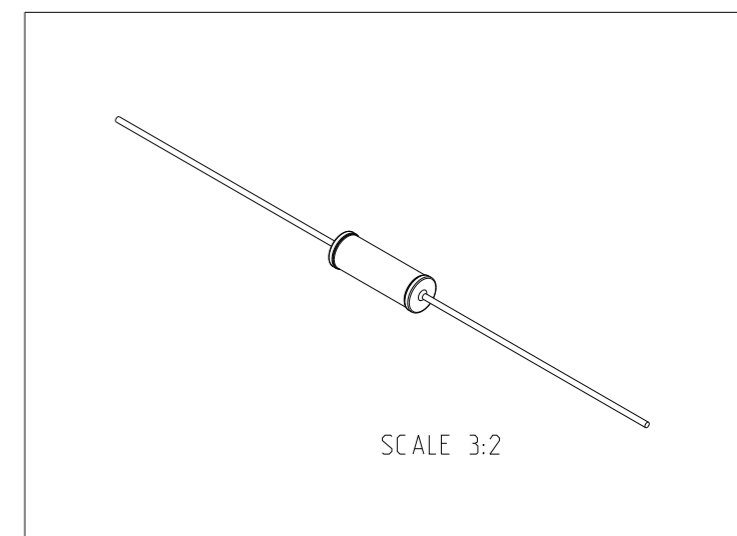
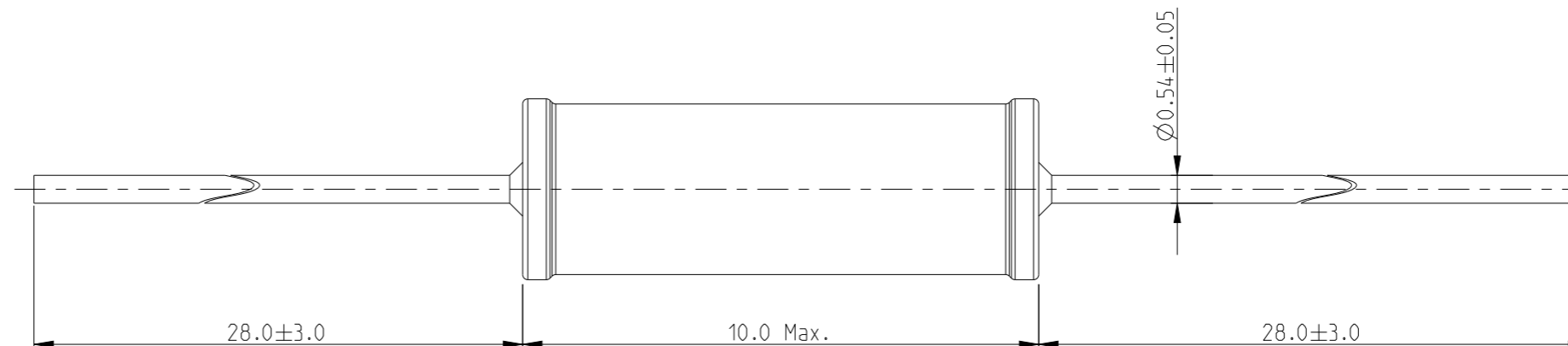
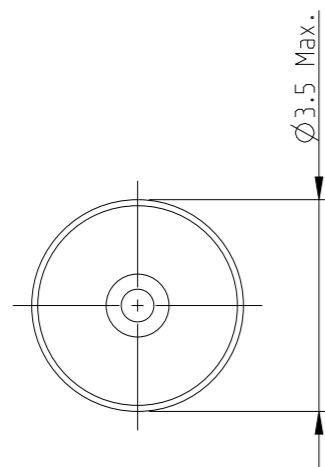


REVISIONS

P	LTR	DESCRIPTION	DATE	DWN	APVD
	BA	NEW RELEASE	23-MAR-10	MRS	St.P
	BB	CLARIFICATION OF DIMENSIONS	18JAN2023	DM	AP

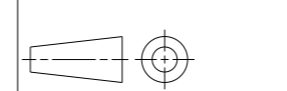
FOR FURTHER INFORMATION SEE DATA SHEET FOR SERIES LR, METAL FILM FIXED RESISTORS



RoHS Compliant

THIS DRAWING IS A CONTROLLED DOCUMENT.

DIMENSIONS: mm



MATERIAL -

TOLERANCES UNLESS OTHERWISE SPECIFIED:

0 PLC	±0.2
1 PLC	±0.1
2 PLC	±-
3 PLC	±-
4 PLC	±-
ANGLES	±5°
FINISH	-

DWN 23-MAR-10 MAHARUDRA

CHK 23-MAR-10 ALLAN.P

APVD 23-MAR-10 STEPHEN.P

PRODUCT SPEC -

APPLICATION SPEC -

WEIGHT -

CUSTOMER DRAWING

STE TE Connectivity

NAME METAL FILM FIXED RESISTORS SERIES LR2

SIZE	CAGE CODE	DRAWING NO	RESTRICTED TO
A3	00779	©=1622746	-

SCALE 8:1 SHEET 1 OF 1 REV BB