

CTCDRH5D18F Series

From 3.3µH to 330µH

ENGINEERING KIT #44



CHARACTERISTICS

Description: SMD (shielded) power inductor
Applications: Power supplies for OA equipment, LCD televisions, PC notebooks, portable communication equipment, DC/DC converters, etc.
Operating Temperature: -40°C to +85°C
Inductance Tolerance: ±20%, ±30%
Testing: Tested on a HP4284A at 10kHz, 0.25Vrms, 0Adc
Packaging: Tape & Reel
Marking: Parts are marked with inductance code
Rated DC Current: Indicates the current when the inductance decreases to 65% of its initial value or D.C. current when the temperature of coil is increased by 30%, the smaller one is defined as rated current
Miscellaneous: RoHS Compliant.
Additional Information: Additional electrical & physical information available upon request
Samples available. See website for ordering information.

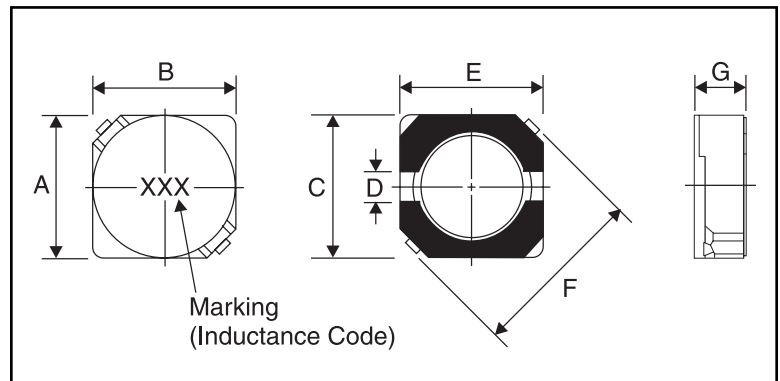
SPECIFICATIONS

Please specify tolerance code when ordering.
 CTCDRH5D18F-3R3_ ← M = ±20%, N = ±30%

Part Number	Inductance (µH)	L Test Freq. (KHz)	DCR Max. (mΩ)	Rated DC Current (A)
CTCDRH5D18F-3R3_	3.3	10	50	2.15
CTCDRH5D18F-4R1_	4.1	10	57	1.95
CTCDRH5D18F-5R4_	5.4	10	76	1.60
CTCDRH5D18F-6R2_	6.2	10	96	1.40
CTCDRH5D18F-6R8_	6.8	10	115	1.35
CTCDRH5D18F-8R9_	8.9	10	116	1.25
CTCDRH5D18F-100_	10	10	124	1.20
CTCDRH5D18F-120_	12	10	153	1.10
CTCDRH5D18F-150_	15	10	196	0.97
CTCDRH5D18F-180_	18	10	210	0.85
CTCDRH5D18F-220_	22	10	290	0.80
CTCDRH5D18F-270_	27	10	330	0.75
CTCDRH5D18F-330_	33	10	386	0.65
CTCDRH5D18F-390_	39	10	520	0.57
CTCDRH5D18F-470_	47	10	595	0.54
CTCDRH5D18F-560_	56	10	665	0.50
CTCDRH5D18F-680_	68	10	840	0.43
CTCDRH5D18F-820_	82	10	978	0.41
CTCDRH5D18F-101_	100	10	1200	0.36
CTCDRH5D18F-121_	120	10	1500	0.33
CTCDRH5D18F-151_	150	10	1710	0.31
CTCDRH5D18F-181_	180	10	2240	0.28
CTCDRH5D18F-221_	220	10	2440	0.23
CTCDRH5D18F-271_	270	10	3880	0.21
CTCDRH5D18F-331_	330	10	4340	0.18

PHYSICAL DIMENSIONS

Size	A	B	C	D	E	F	G
						Max.	Max.
mm	5.7±0.3	5.7±0.3	5.5	2.0	5.5	8.2	2.0
inches	0.22±0.01	0.22±0.01	0.217	0.08	0.217	0.32	0.08



PAD LAYOUT

