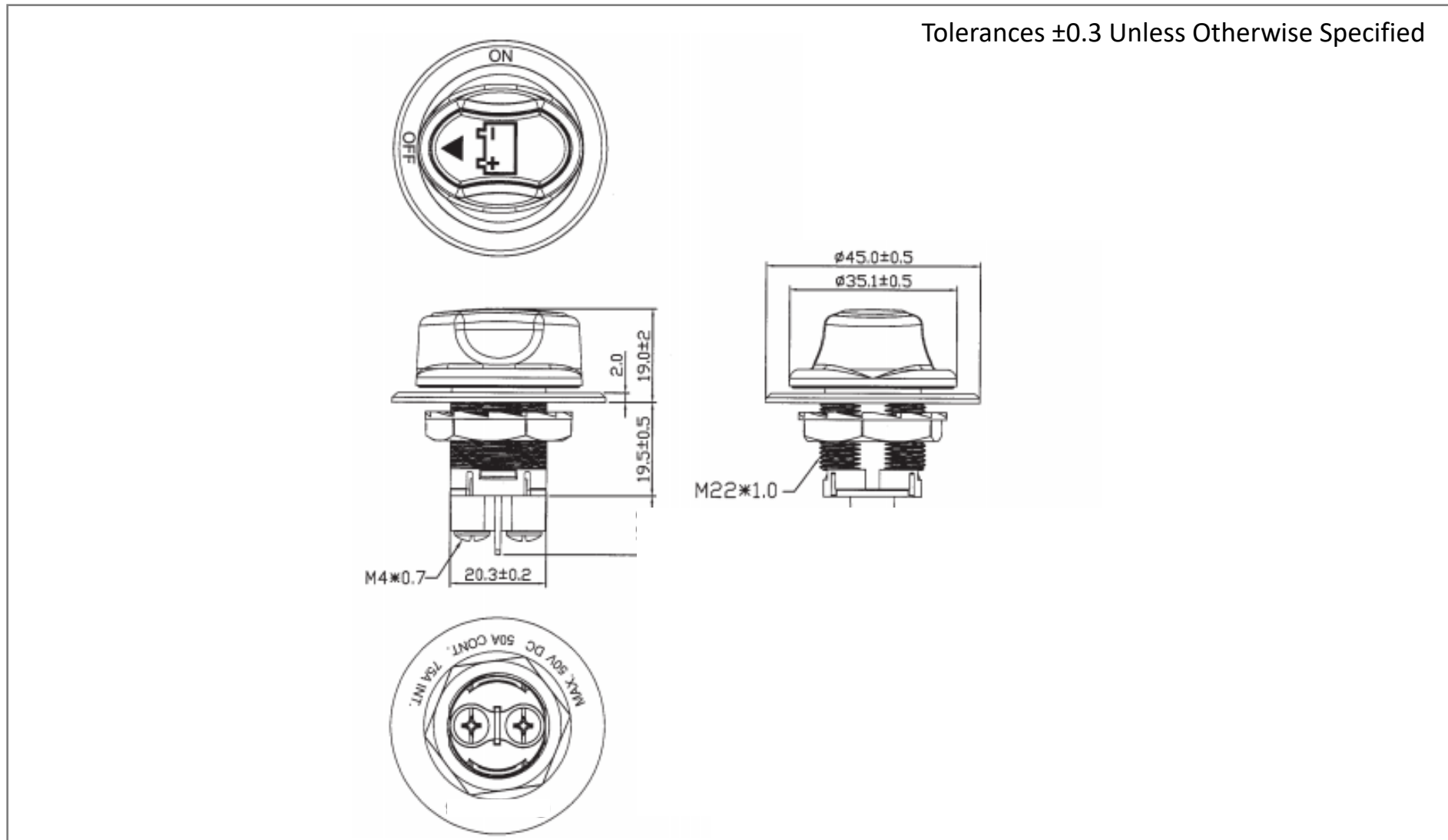
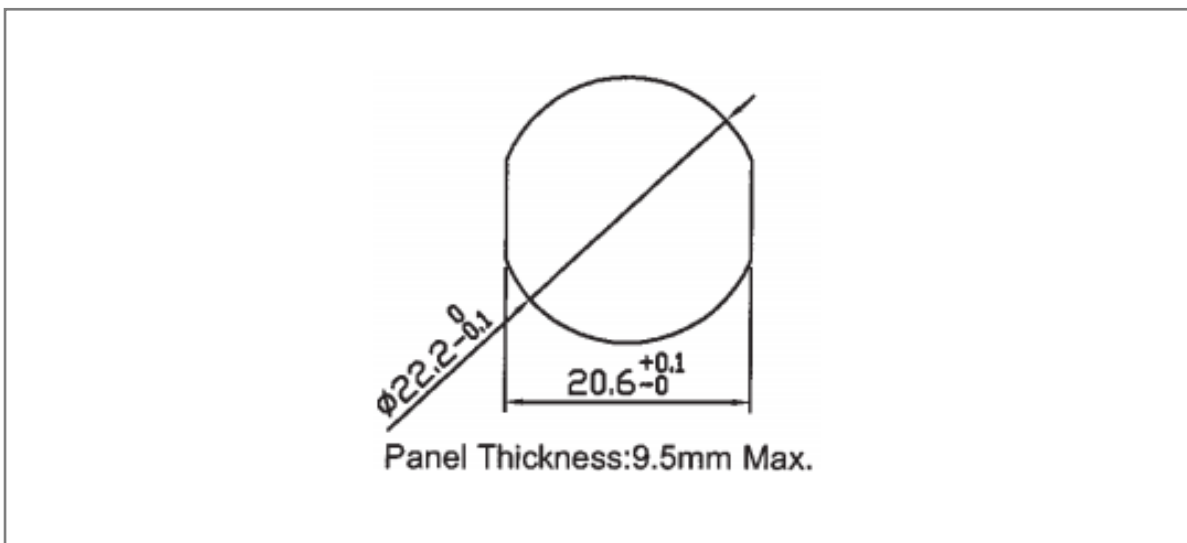


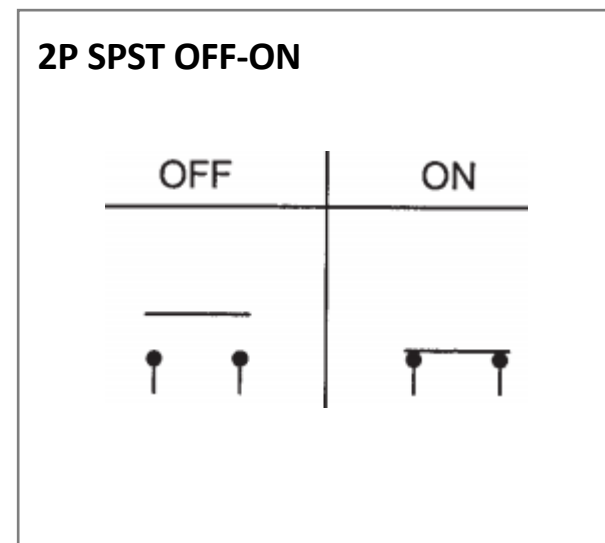
**Mechanical Dimensions (mm)**



**Mounting Hole**



**Circuit Diagram**



**Electrical Specifications**

Rating	50A 50V DC max
Intermittent Rating	75A
Cracking Rating	300 Amps
Insulation Resistance	DC 500V 100M ohm Min.
Dielectric Strength	DC 2000 / AC 1000V 1 minute

**Material Specifications**

Housing	Black, PA#66+33%GF
Actuator	Red, PBT+15%GF
Name Plate	White, ABS w. black hot stamp.
Bottom	Black, PBT+15%GF
	1 HEX NUT ASSY