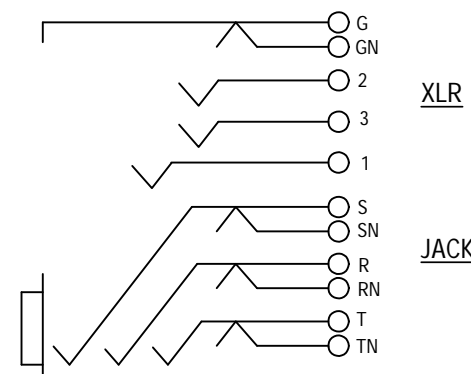
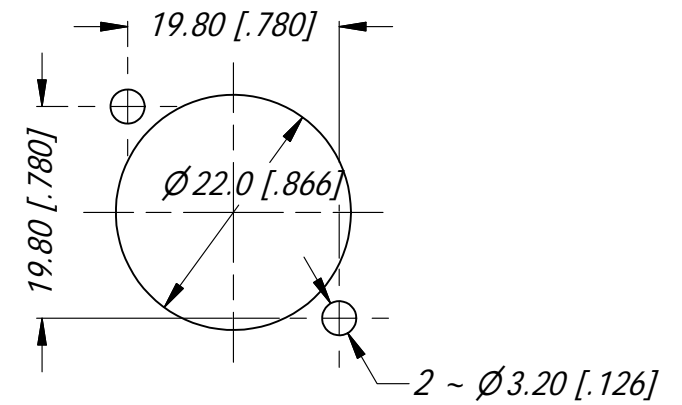


MIN MOUNTING PITCH



CONTACT SCHEMATIC DIAGRAM



PANEL CUT OUT

PCB LAYOUT SCALE 3:2

UNLESS OTHERWISE SPECIFIED TOLERANCE TO BE	
LINEAR	ANGULAR
X ± 0.5	X' ± 1
X.X ± 0.1	X.X' ± 30'
X.XX ± 0.05	X.X'X' ± 15'
BREAK ALL SHARP EDGES AND REMOVE ALL BURRS	
DO NOT SCALE	
DIMENSIONS IN MILLIMETRES	

THIS DOCUMENT IS THE PROPERTY OF AMPHENOL AUSTRALIA PTY. LTD. NO PART THEREOF MAY BE REPRODUCED AND USED WITHOUT THE PRIOR WRITTEN CONSENT OF THE OWNER.

MATERIAL: SEE COMPONENTS

FINISH:

DRN:	T.N	DATE:	27/02/12
CKD:	P.M	DATE:	27/02/12
APP'D:	P.M	DATE:	27/02/12
SCALE:	3:2	SIZE:	A4

Amphenol

Amphenol Australia Pty.Ltd, 22 Industry Blvd, Carrum Downs VIC 3201

TITLE: C TYPE LOW PROFILE 10 CONTACTS VERT CUSTOMER DWG

PART No:	REV
ACJC10AV	2
DRAWING No.	SHEET
55010814-000	2 / 16