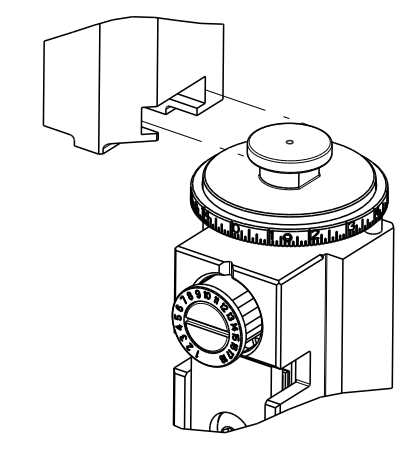


PART NUMBER	REVISION	DESCRIPTION	FEED TYPE
2266243-1	C	FINE CRIMP HEIGHT ADJUST	MECHANICAL
2266243-2	C	FINE CRIMP HEIGHT ADJUST	PNEUMATIC
5-2266243-1	C	SEAL STRIPPER CRIMPER TERMINATING UNIT	MECHANICAL
5-2266243-2	C	SEAL STRIPPER CRIMPER TERMINATING UNIT	PNEUMATIC
7-2266243-1	C	MECHANICAL AND CRIMP TOOLING KIT	MECHANICAL
7-2266243-2	C	PNEUMATIC AND CRIMP TOOLING KIT	PNEUMATIC
7-2266243-7	A	CRIMP TOOLING KIT	-

ATLANTIC VERSION TERMINATOR INTERFACE ADAPTER



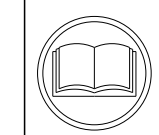
APPLICATOR DATA		
CRIMP	SIZE	TYPE
WIRE	1.30 mm [.051]	F
INSUL	2.40 mm [.094]	O

APPLICATOR INSTRUCTIONS 408-35042

TERMINAL DATA: YAZAKI TERMINAL	YAZAKI CRIMP SPECIFICATION
TERMINAL NAME: RH TYPE TERMINAL	
WIRE STRIP LENGTH 4.00-4.50 mm [.157-.177 IN]	INSULATION DIAMETER RANGE Ø -
TERMINAL APPLICATION SPECIFICATION 72-WT10-2539	

TERMINALS APPLIED				
TE TERMINAL	YAZAKI TERMINAL	TE SEAL	YAZAKI SEAL	SEAL INSULATION DIAMETER RANGE
2113444-1	7116-4417-02	1949745-1	7158-3167-80	1.35-1.70
2113444-2	7114-4417-02	1949745-2	7158-3168-80	1.54-1.90
2113444-3	7116-4417-08	1949745-3	7158-3269-80	-
2113444-4	7114-4417-08	1832814-1	7158-3165-90 ETC.	1.54-1.90

WIRE SIZE	CRIMP HEIGHT mm [INCH]	CRIMP HEIGHT REFERENCE SETTING
0.75mm2	1.25+/-0.05 [.049+/-0.002]	5.5



- 1 RECOMMENDED SPARE PARTS
- 2 REFER TO SUPPLIED INSTRUCTION SHEET FOR CLEANING, LUBRICATION AND STORAGE OF APPLICATOR.
- 3 APPLY PART NUMBER 2-23419-6 LOCTITE TO THREADS OF ITEM 242. APPLY PART NUMBER 1-23419-5 LOCTITE TO THREADS OF ITEM 180.
- 4 CRIMP HEIGHT REFERENCE SETTING WAS THE SETTING USED WHEN THE APPLICATOR WAS QUALIFIED AT THE FACTORY. ADJUSTMENT MAY BE NECESSARY WHEN RUNNING APPLICATOR IN THE FIELD.
- 5 APPLY TORQ-SEAL IN ALLEN SOCKET TO FILL HOLE AFTER FLAT HD HAS BEEN ADJUSTED TO CORRECT HEIGHT AT QUALIFICATION. APPLY #1-23419-5 LOC-TITE TO THREADS.
- 6 SAME AS PRODUCT GROUP'S NUMBER 1832814.

***WARNING**
 ON INSTALLATION, SET WIRE DISC TO CRIMP HEIGHT REFERENCE SETTING FOR LARGEST WIRE SIZE. CRIMP HEIGHT REFERENCE SETTINGS GREATER THAN THE VALUE SHOWN MAY CAUSE DAMAGE TO THE CRIMP TOOLING, REFER TO THE INSTRUCTION SHEET FOR PROPER SETUP AND ADJUSTMENTS.

REVISIONS					
P	LTN	DESCRIPTION	DATE	OWN	APVD
B		ECR-18-010009	27JUN2018	VLA	CT
C		ECR-19-001590	06MAR2019	TB	TE

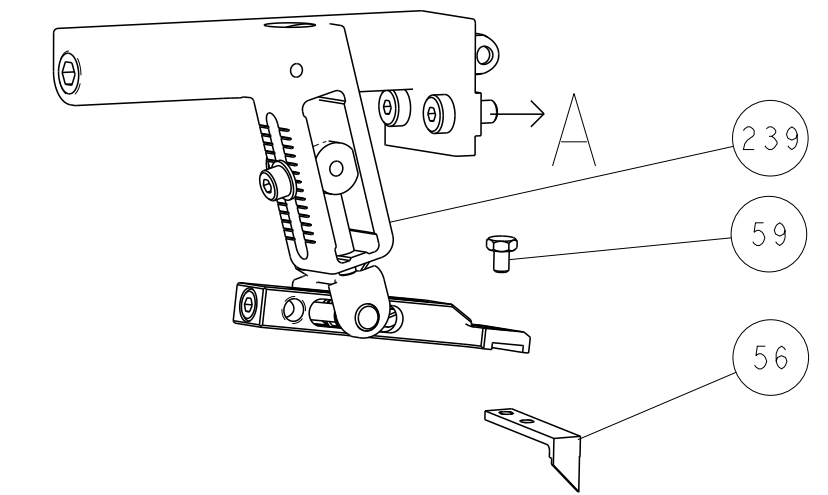
-	-	-	1	1	-	-	1803515-3	RAM ASSEMBLY, SF ATLANTIC	293
-	-	-	1	1	-	-	2-1803583-1	APPLICATOR BASIC ASSEMBLY, SF	292
-	1	-	1	-	1	-	2119640-1	PUSH ROD, AIR FEED	250
-	1	-	1	-	1	-	1803259-1	BUSHING, FLANGED	249
-	1	-	1	-	1	-	2119641-1	FEED CAM, AIR FEED	248
-	1	1	1	1	1	1	2119082-4	CAM, SNAIL, INSULATION ADJUSTMENT	244
-	1	1	1	1	1	1	2079764-1	WASHER, WAVE SPRING, CREST-TO-CREST	243
-	1	1	1	1	1	1	2119083-1	RETAINER, INSULATION DIAL	242
-	1	1	1	1	1	1	7-18023-7	SCR, SKT HD CAP M3 X 4.0	241
-	-	1	-	1	-	1	2119580-1	MECHANICAL FEED ASSEMBLY	239
-	1	-	1	-	1	-	2063440-1	AIR FEED MODULE	238
-	-	-	1	1	-	-	4-1722335-3	STRIPPER, SIDE FEED	182
-	-	-	1	1	-	-	1-5018030-0	NUT, HEX, REG, RoHS, M3.5	181
-	-	-	1	1	-	-	1-1752354-9	STANDOFF,HOLD-DOWN	180
-	-	-	1	1	-	-	993111-1	PIN, SLOTTED SPRING 3.0 X 20.0	177
-	-	-	1	1	-	-	5-22280-0	SPRING, COMPRESSION	176
-	-	-	1	1	-	-	1752353-3	GUIDE PIN,HOLDDOWN	175
-	-	-	1	1	-	-	1901680-2	GUIDE PIN,HOLDDOWN	174
-	2	-	2	-	2	-	21045-3	RING, RETAIN, EXTERN, 3/16 CRESCENT	172
-	REF	REF	REF	REF	REF	REF	994970-2	COUNTER, MAGNETIC	164
-	1	-	1	-	1	-	240638-1	SPRING, FEED FINGER	163
-	1	-	1	-	1	-	3-23627-7	PIN, RETAIN, GRVD, 3/16 X .854	137
-	1	-	1	-	1	-	2119799-1	HOLDER,FEED FINGER, AF	136
-	1	1	1	1	1	1	2844908-1	SCREW, LOCKING	99
-	1	1	1	1	1	1	2844907-1	POST, LOCKING	98
-	1	1	1	1	1	1	455888-5	SPACER, CRIMPER	82
-	1	1	1	1	1	1	1803607-1	DOCUMENTATION PACKAGE	71
-	1	1	1	1	1	1	2119791-9	DEPRESSOR, WIRE	70
-	1	1	1	1	1	1	2119740-1	TAG,IDENTIFICATION	67
-	2	2	2	2	2	2	2168078-1	SCREW, DRIVE, RH, RoHS, 2 x .188	66
-	1	1	1	1	1	1	2168083-2	SCR, SKT HD CAP, RoHS, M4 X 8.0	60
-	1	1	1	1	1	1	5-18022-5	SCR, HEX HD CAP, M4 X 6.0	59
-	1	1	1	1	1	1	985575-4	SCR, FLT SKT HD CAP M3 X 12.0	57
-	1	1	1	1	1	1	1338685-1	PAWL, FEED	56
-	4	4	4	4	4	4	2168083-3	SCR, SKT HD CAP, RoHS, M4 X 12.0	54
-	2	2	2	2	2	2	2168083-3	SCR, SKT HD CAP, RoHS, M4 X 12.0	53
-	1	1	1	1	1	1	1803382-1	HOLD DOWN, SPRING LOADED	50
-	1	2	1	2	1	2	18023-9	SCR, SKT HD CAP M4 X 6.0	49
-	-	1	-	1	-	1	2119652-1	FEED CAM, PRE FEED	48
-	-	1	-	1	-	1	2119653-1	FEED CAM, POST FEED	47
-	1	1	-	-	1	1	1803583-9	APPLICATOR BASIC ASSEMBLY, SF	46
-	1	1	-	-	1	1	1803515-1	RAM ASSEMBLY, SF ATLANTIC	44
-	1	1	1	1	1	1	1803602-1	SCR, BHSC, RoHS (M8 X 25)	41
-	1	1	1	1	1	1	1752356-3	SUPPORT, TERMINAL	34
-	2	2	2	2	2	2	2079383-5	SCR, BHSC, RoHS (M4 X 20)	33
-	2	2	2	2	2	2	2-2844962-5	SPACER, CYLINDRICAL, STRIP GUIDE	30
-	1	1	1	1	1	1	2844992-1	ASSEMBLY, STRIP GUIDE	29
-	1	1	1	1	1	1	455888-3	SPACER, CRIMPER	28
-	1	1	1	1	1	1	1320928-2	STRIP GUIDE	24
-	1	1	-	-	1	1	2168083-2	SCR, SKT HD CAP, RoHS, M4 X 8.0	21
-	2	2	1	1	2	2	1-18028-2	WASHER, FLAT, REG M4	20
-	1	1	-	-	1	1	2119533-1	STRIPPER, SIDE FEED	19
-	1	1	1	1	1	1	2119806-1	INSERT, SHEAR	13
-	1	1	1	1	1	1	3-22280-3	SPRING, COMPRESSION	12
-	1	1	1	1	1	1	1-356885-5	STOP, SHEAR	11
-	1	1	1	1	1	1	2119805-1	SHEAR HOLDER, FRONT	10
-	1	1	1	1	1	1	1803095-1	FLOATING SHEAR, FRONT	9
-	1	2	2	1	1	1	4-1803054-3	ANVIL, COMBINATION	8
-	1	1	1	1	1	1	6-240641-3	SPACER	7
-	-	-	-	-	-	-	-	-	6
-	1	1	1	1	1	1	2119781-2	DEPRESSOR, SHEAR	5
-	1	1	1	1	1	1	2-238011-2	BLOCK, CRIMPER SPACER	4
-	1	2	2	1	1	1	6-1633965-8	CRIMPER, INSULATION O PREMIUM	3
-	-	-	-	-	-	-	-	-	2
-	1	2	2	1	1	1	8-1633609-7	CRIMPER, WIRE	1

THIS DRAWING IS A CONTROLLED DOCUMENT.		OWN H. HUANG CHK L. ZHANG APVD J. GUO	26MAR2014 26MAR2014 26MAR2014	NAME Ocean Side Feed Applicator	
DIMENSIONS: mm	TOLERANCES UNLESS OTHERWISE SPECIFIED:	PRODUCT SPEC	APPLICATION SPEC	SIZE	CAGE CODE
0 PLC ±	1 PLC ±	2 PLC ±	3 PLC ±	4 PLC ±	ANGLES ±
MATERIAL	FINISH	WEIGHT	CUSTOMER DRAWING		
SCALE 1:2		SHEET 1 OF 4		REV C	

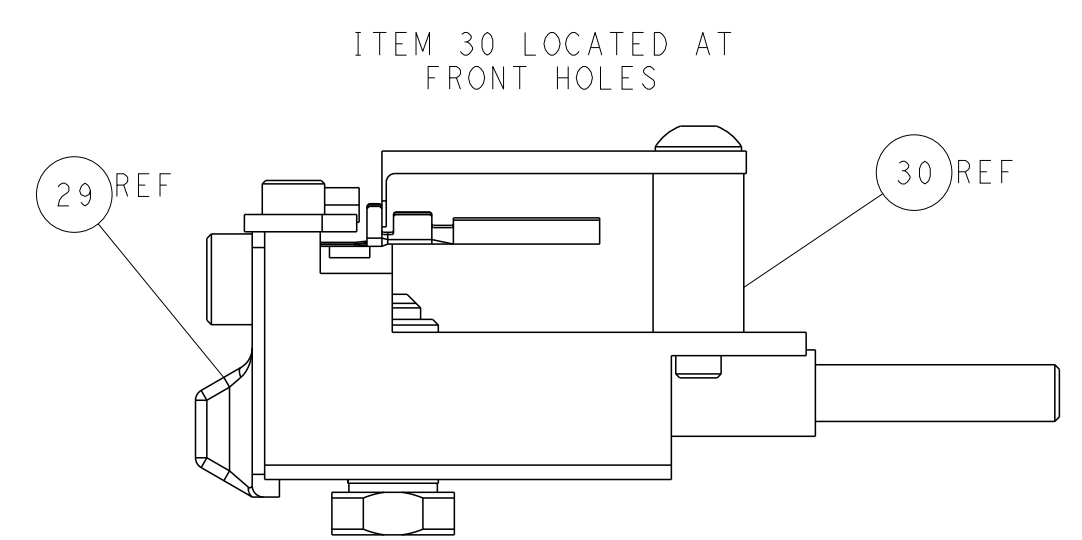
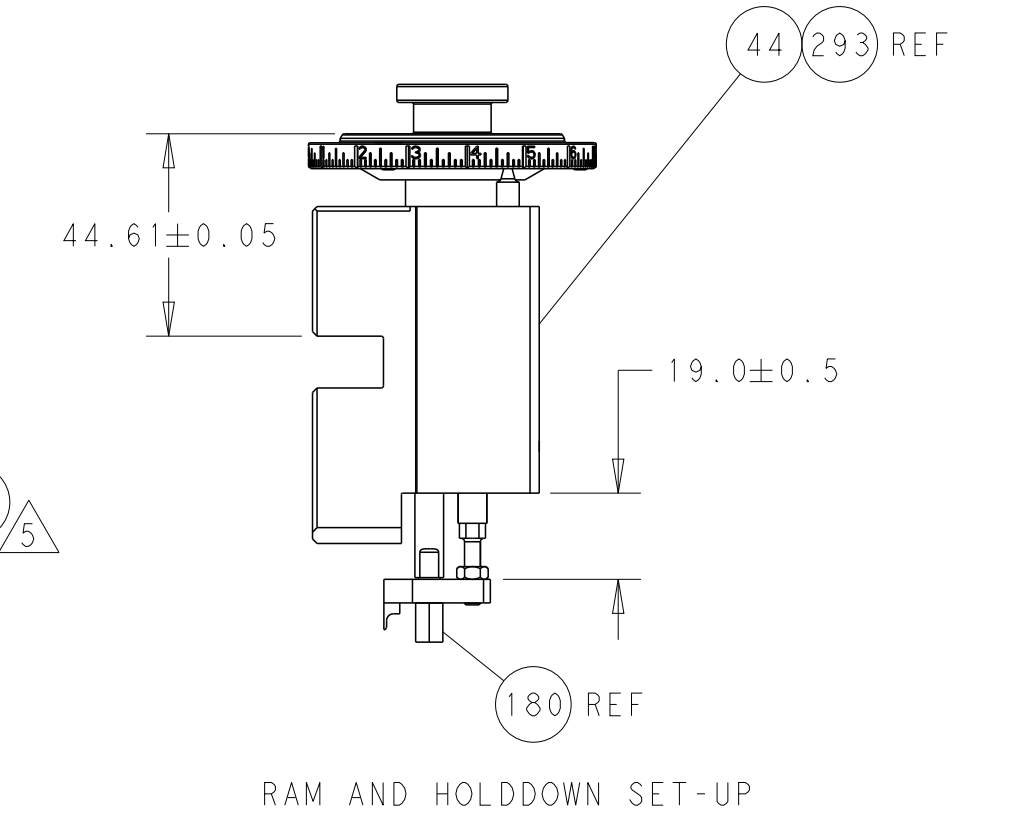
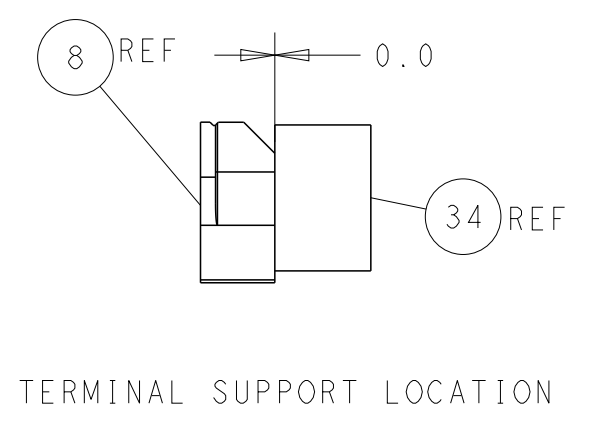
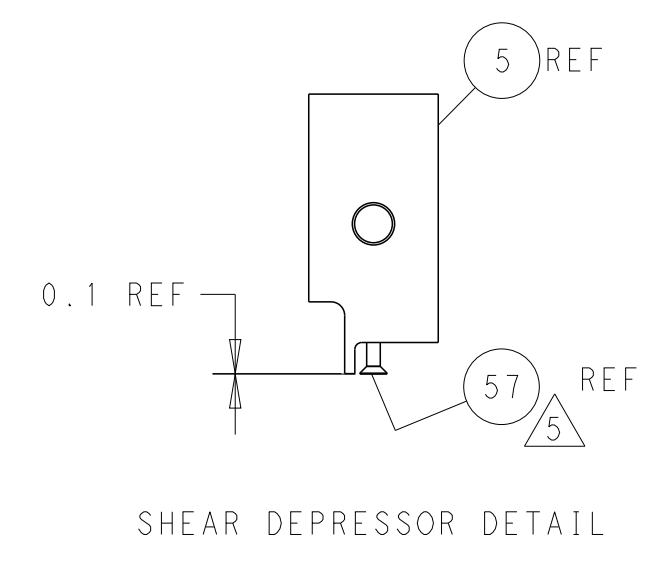
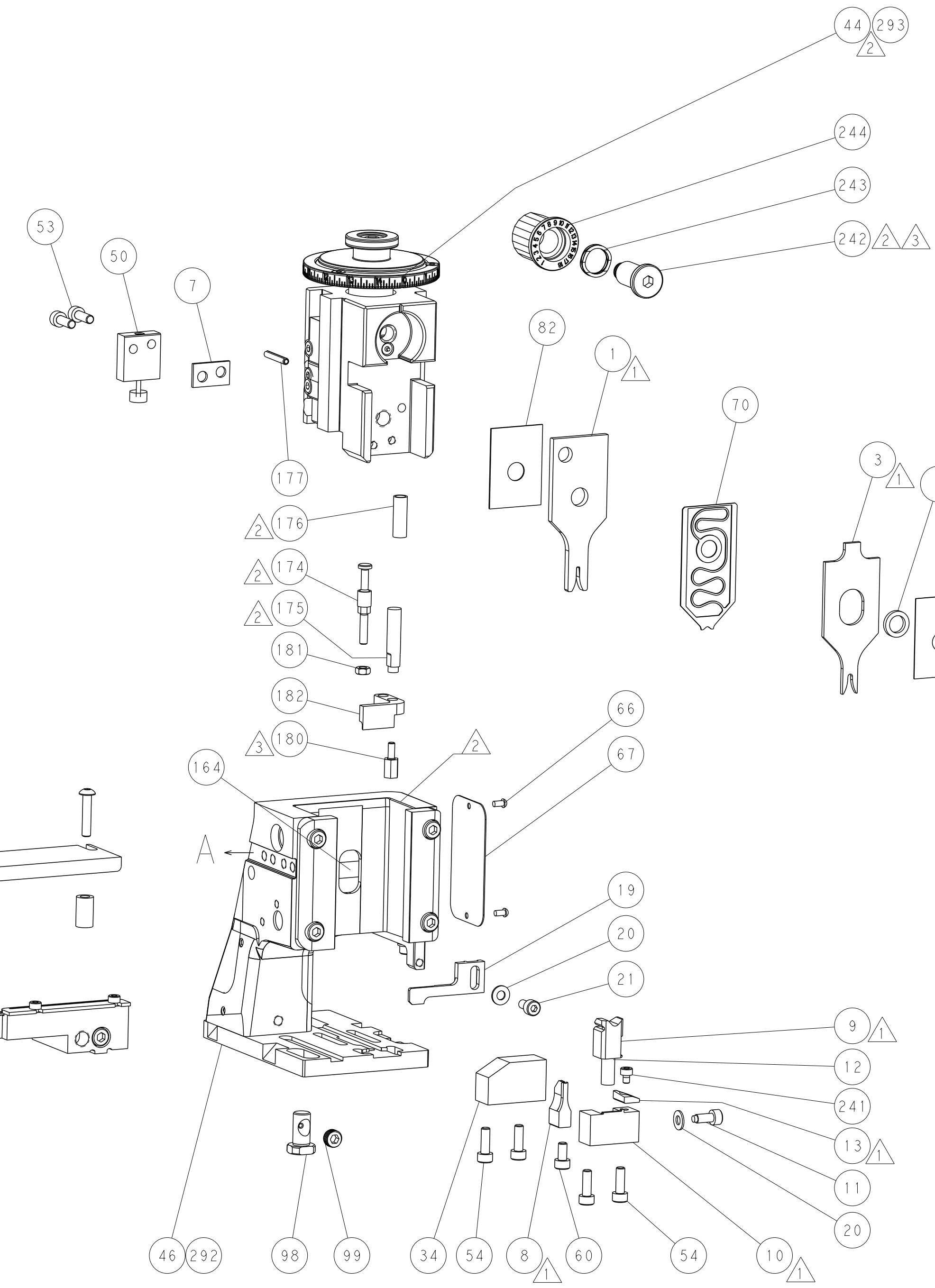
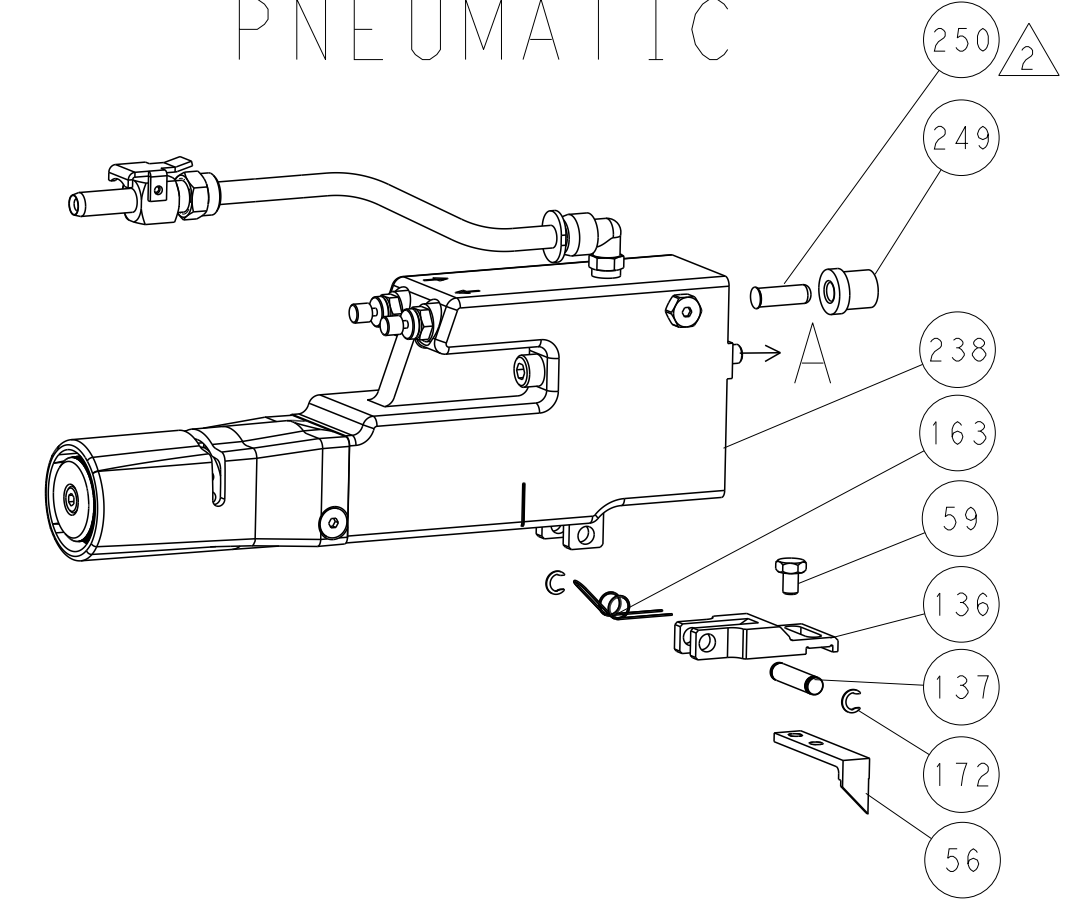
ATLANTIC VERSION
 Shown on sheets 1 of 4 & 2 of 4
 (Pacific version shown on sheets 3 of 4 & 4 of 4)

REVISIONS				
P	LTN	DESCRIPTION	DATE	APVD
-	-	SEE SHEET 1	-	-

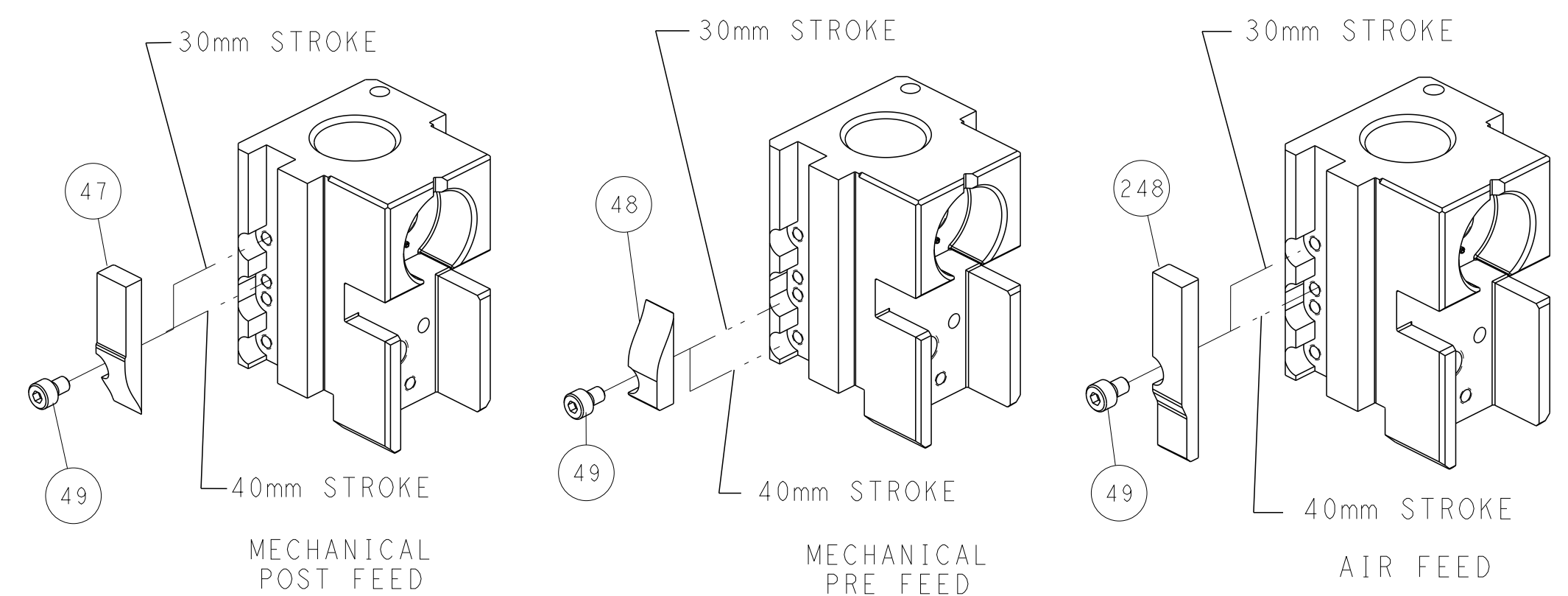
FEED TYPE MECHANICAL



PNEUMATIC



CAM POSITIONS



ATLANTIC VERSION
 Shown on sheets 1 of 4 & 2 of 4
 (Pacific version shown on sheets 3 of 4 & 4 of 4)

THIS DRAWING IS A CONTROLLED DOCUMENT.		OWN: H. HUANG 26MAR2014	TE Connectivity
DIMENSIONS: mm		CHK: L. ZHANG 26MAR2014	
TOLERANCES UNLESS OTHERWISE SPECIFIED:		APVD: J. GUO 26MAR2014	NAME: Ocean Side Feed Applicator
0 PLC ±		PRODUCT SPEC	APPLICATION SPEC
1 PLC ±		APPLICATOR SPEC	SIZE: CAGE CODE: DRAWING NO: RESTRICTED TO
2 PLC ±		WEIGHT	A100779C=2266243
3 PLC ±		CUSTOMER DRAWING	SCALE: 1:2 SHEET 2 OF 4 REV C
4 PLC ±			
ANGLES FINISH			

THIS DRAWING IS UNPUBLISHED.	RELEASED FOR PUBLICATION	20	
COPYRIGHT 20 BY - ALL RIGHTS RESERVED.			
PART NUMBER	REVISION	DESCRIPTION	FEED TYPE
2-2266243-1	C	FINE CRIMP HEIGHT ADJUST	MECHANICAL
2-2266243-2	C	FINE CRIMP HEIGHT ADJUST	PNEUMATIC
7-2266243-7	A	CRIMP TOOLING KIT	-

PACIFIC VERSION TERMINATOR INTERFACE ADAPTER



APPLICATOR DATA		
CRIMP	SIZE	TYPE
WIRE	1.30 mm [.051]	F
INSUL	2.40 mm [.094]	O
APPLICATOR INSTRUCTIONS 408-35042		

TERMINAL DATA: YAZAKI TERMINAL YAZAKI CRIMP SPECIFICATION	
TERMINAL NAME: RH TYPE TERMINAL	
WIRE STRIP LENGTH 4.00-4.50 mm [1.57-1.77 IN]	INSULATION DIAMETER RANGE Ø -
TERMINAL APPLICATION SPECIFICATION 72-WT10-2539	-

TERMINALS APPLIED				
TE TERMINAL	YAZAKI TERMINAL	TE SEAL	YAZAKI SEAL	SEAL INSULATION DIAMETER RANGE
2113444-1	7116-4417-02	1949745-1	7158-3167-80	1.35-1.70
2113444-2	7114-4417-02	1949745-2	7158-3168-80	1.54-1.90
2113444-3	7116-4417-08	1949745-3	7158-3269-80	-
2113444-4	7114-4417-08	1832814-1	7158-3165-90 ETC.	1.54-1.90

WIRE SIZE	CRIMP HEIGHT mm [INCH]	CRIMP HEIGHT REFERENCE SETTING
0.75mm ²	1.25+/-0.05 [1.049+/-0.02]	5.5

- 1 RECOMMENDED SPARE PARTS
- 2 REFER TO SUPPLIED INSTRUCTION SHEET FOR CLEANING, LUBRICATION AND STORAGE OF APPLICATOR.
- 3 APPLY PART NUMBER 2-23419-6 LOCTITE TO THREADS OF ITEM 242.
- 4 CRIMP HEIGHT REFERENCE SETTING WAS THE SETTING USED WHEN THE APPLICATOR WAS QUALIFIED AT THE FACTORY. ADJUSTMENT MAY BE NECESSARY WHEN RUNNING APPLICATOR IN THE FIELD.
- 5 APPLY TORO-SEAL IN ALLEN SOCKET TO FILL HOLE AFTER FLAT HD HAS BEEN ADJUSTED TO CORRECT HEIGHT AT QUALIFICATION. APPLY #1-23419-5 LOC-TITE TO THREADS.
- 6 SAME AS PRODUCT GROUP'S NUMBER 1832814.
- 7. UNLESS SPECIFIED OTHERWISE TORQUE VALUES SHALL BE USED PER DOCUMENT, 101-35000.

***WARNING**
ON INSTALLATION, SET WIRE DISC TO CRIMP HEIGHT REFERENCE SETTING FOR LARGEST WIRE SIZE. CRIMP HEIGHT REFERENCE SETTINGS GREATER THAN THE VALUE SHOWN MAY CAUSE DAMAGE TO THE CRIMP TOOLING, REFER TO THE INSTRUCTION SHEET FOR PROPER SETUP AND ADJUSTMENTS.

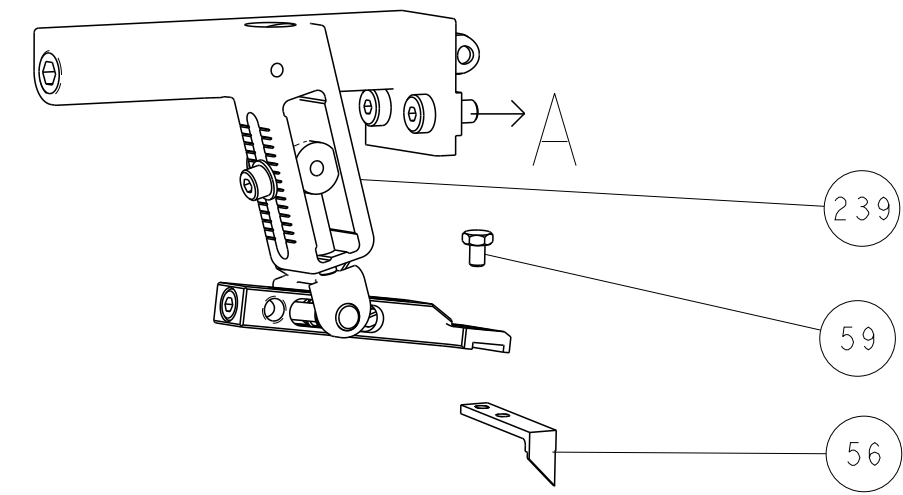
REVISIONS					
P	LTN	DESCRIPTION	DATE	OWN	APVD
-	-	SEE SHEET 1	-	-	-

-	1	-	2119640-1	PUSH ROD, AIR FEED	250
-	1	-	1803259-1	BUSHING, FLANGED	249
-	1	1	2119082-4	CAM, SNAIL, INSULATION ADJUSTMENT	244
-	1	1	2079764-1	WASHER, WAVE SPRING, CREST-TO-CREST	243
3	-	1	2119083-1	RETAINER, INSULATION DIAL	242
-	1	1	7-18023-7	SCR, SKT HD CAP M3 X 4.0	241
-	-	1	2119580-1	MECHANICAL FEED ASSEMBLY	239
-	1	-	2063440-1	AIR FEED MODULE	238
-	2	-	21045-3	RING, RETAIN, EXTERN, 3/16 CRESCENT	172
-	REF	REF	994970-2	COUNTER, MAGNETIC	164
-	1	-	240638-1	SPRING, FEED FINGER	163
-	1	-	2119641-2	FEED CAM, AIR FEED	151
-	1	1	2168083-8	SCR, SKT HD CAP, RoHS, M4 X 16	144
-	4	4	2168083-9	SCR, SKT HD CAP, RoHS, M4 X 20	143
-	-	1	2119653-2	FEED CAM, POST FEED	142
-	1	1	1-1803583-0	APPLICATOR BASIC ASSEMBLY, SF	141
-	1	1	1803516-1	RAM ASSEMBLY, SF PACIFIC	140
-	1	-	3-23627-7	PIN, RETAIN, GRVD, 3/16 X .854	137
-	1	-	2119799-1	HOLDER, FEED FINGER, AF	136
-	1	1	2844908-1	SCREW, LOCKING	99
-	1	1	2844907-1	POST, LOCKING	98
-	1	1	455888-5	SPACER, CRIMPER	82
-	1	1	1803607-1	DOCUMENTATION PACKAGE	71
-	1	1	2119791-9	DEPRESSOR, WIRE	70
-	1	1	2119740-1	TAG, IDENTIFICATION	67
-	2	2	2168078-1	SCREW, DRIVE, RH, RoHS, 2 x .188	66
-	1	1	5-18022-5	SCR, HEX HD CAP, M4 X 6.0	59
5	-	1	985575-4	SCR, FLT SKT HD CAP M3 X 12.0	57
-	1	1	1338685-1	PAWL, FEED	56
-	2	2	2168083-3	SCR, SKT HD CAP, RoHS, M4 X 12.0	53
-	1	1	1803382-1	HOLD DOWN, SPRING LOADED	50
-	1	2	18023-9	SCR, SKT HD CAP M4 X 6.0	49
-	-	1	2119652-1	FEED CAM, PRE FEED	48
-	1	1	1803602-1	SCR, BHSC, RoHS (M8 X 25)	41
-	1	1	1752356-3	SUPPORT, TERMINAL	34
-	2	2	2079383-5	SCR, BHSC, RoHS (M4 X 20)	33
-	2	2	2-2844962-5	SPACER, CYLINDRICAL, STRIP GUIDE	30
-	1	1	2844992-1	ASSEMBLY, STRIP GUIDE	29
-	1	1	455888-3	SPACER, CRIMPER	28
-	1	1	1320928-2	STRIP GUIDE	24
-	1	1	2168083-2	SCR, SKT HD CAP, RoHS, M4 X 8.0	21
-	2	2	1-18028-2	WASHER, FLAT, REG M4	20
-	1	1	2119533-1	STRIPPER, SIDE FEED	19
1	-	1	2119806-1	INSERT, SHEAR	13
-	1	1	3-22280-3	SPRING, COMPRESSION	12
-	1	1	1-356885-5	STOP, SHEAR	11
1	-	1	2119805-1	SHEAR HOLDER, FRONT	10
1	-	1	1803095-1	FLOATING SHEAR, FRONT	9
1	1	1	4-1803054-3	ANVIL, COMBINATION	8
-	1	1	6-240641-3	SPACER	7
-	-	-	-	-	6
-	1	1	2119781-2	DEPRESSOR, SHEAR	5
-	1	1	2-238011-2	BLOCK, CRIMPER SPACER	4
1	1	1	6-1633965-8	CRIMPER, INSULATION O PREMIUM	3
-	-	-	-	-	2
1	1	1	8-1633609-7	CRIMPER, WIRE	1

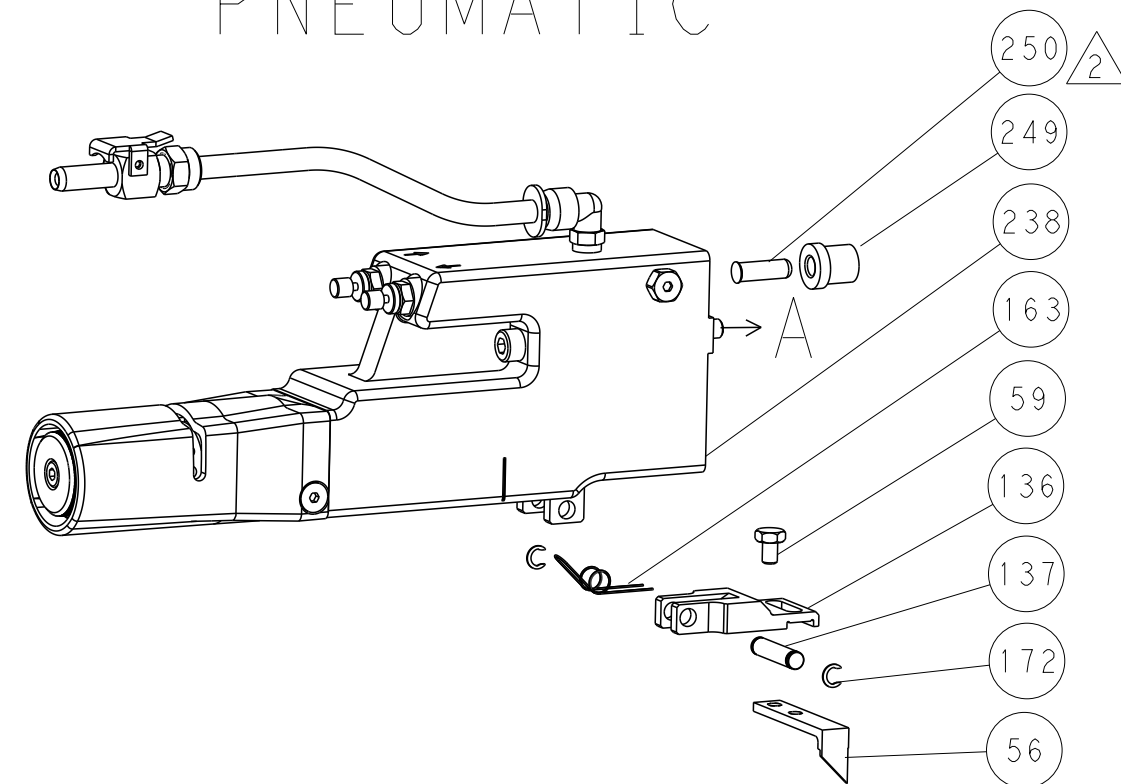
PACIFIC VERSION
Shown on sheets 3 of 4 & 4 of 4
(Atlantic version shown on sheets 1 of 4 & 2 of 4)

THIS DRAWING IS A CONTROLLED DOCUMENT.		OWN H. HUANG 26MAR2014	TE Connectivity
DIMENSIONS: mm		CHK L. ZHANG 26MAR2014	
TOLERANCES UNLESS OTHERWISE SPECIFIED:		APVD J. GUO 26MAR2014	NAME Ocean Side Feed Applicator
0 PLC ± 1 PLC ± 2 PLC ± 3 PLC ± 4 PLC ± ANGLES ±		PRODUCT SPEC	SIZE CAGE CODE DRAWING NO
MATERIAL		APPLICATION SPEC	RESTRICTED TO
FINISH		WEIGHT	A100779C=2266243
CUSTOMER DRAWING		SCALE 1:2	SHEET 3 OF 4 REV C

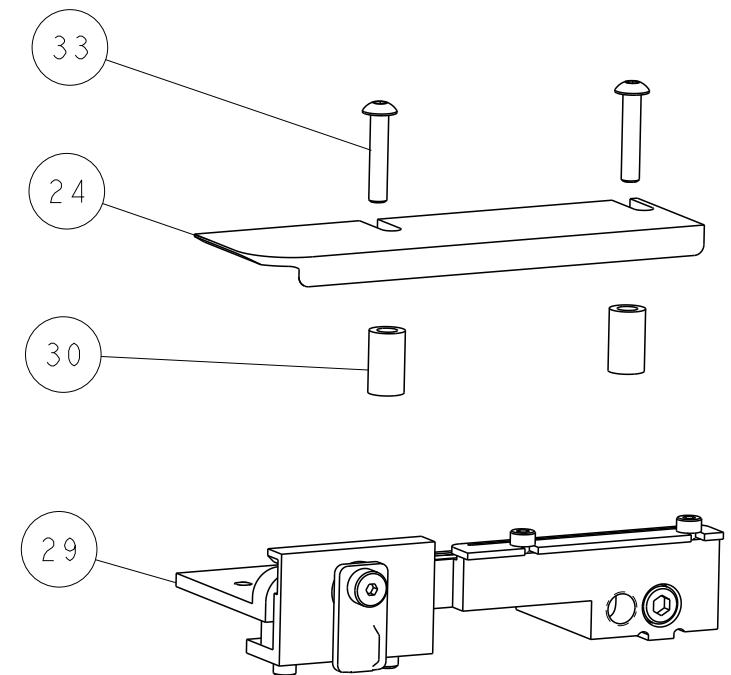
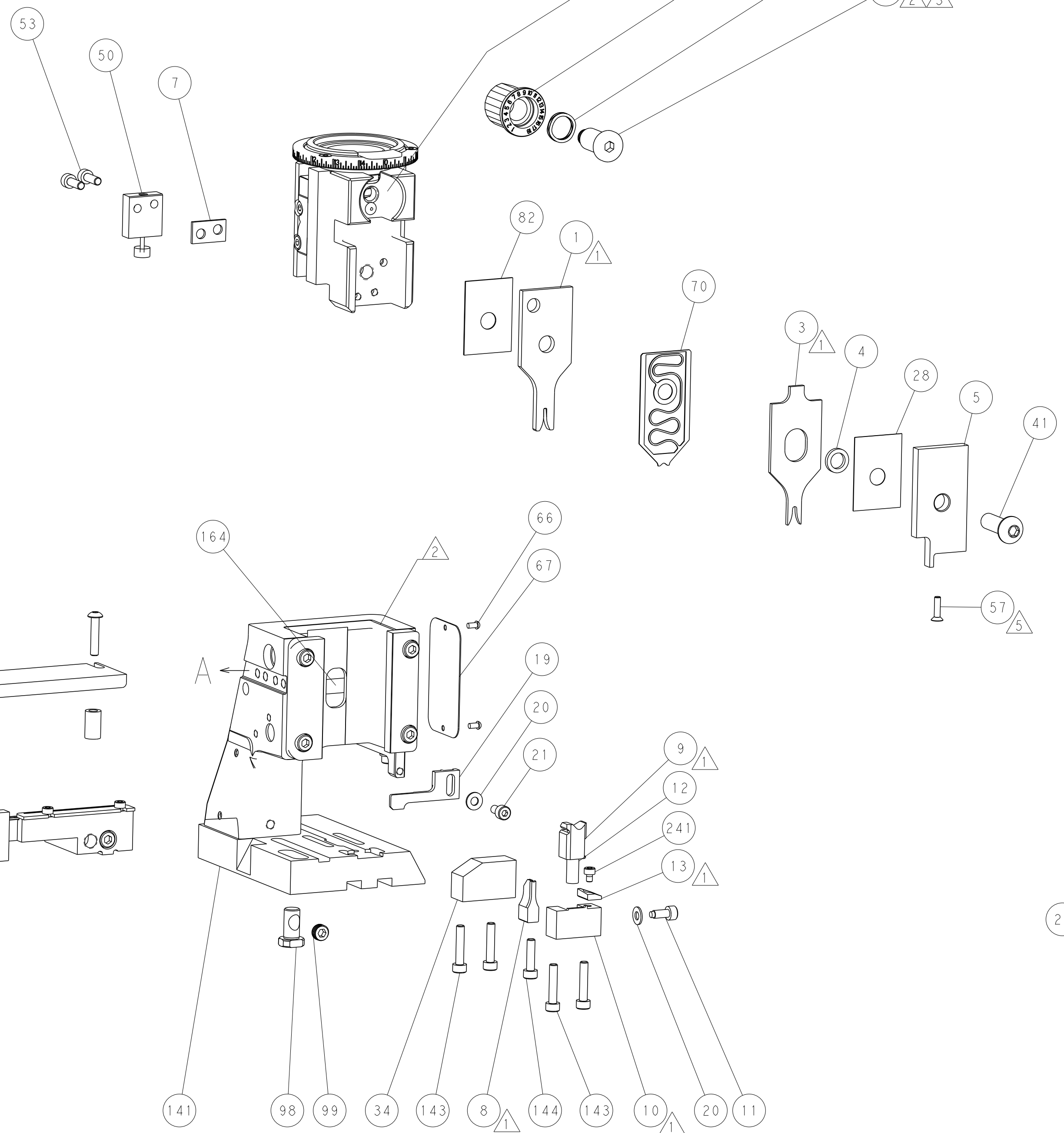
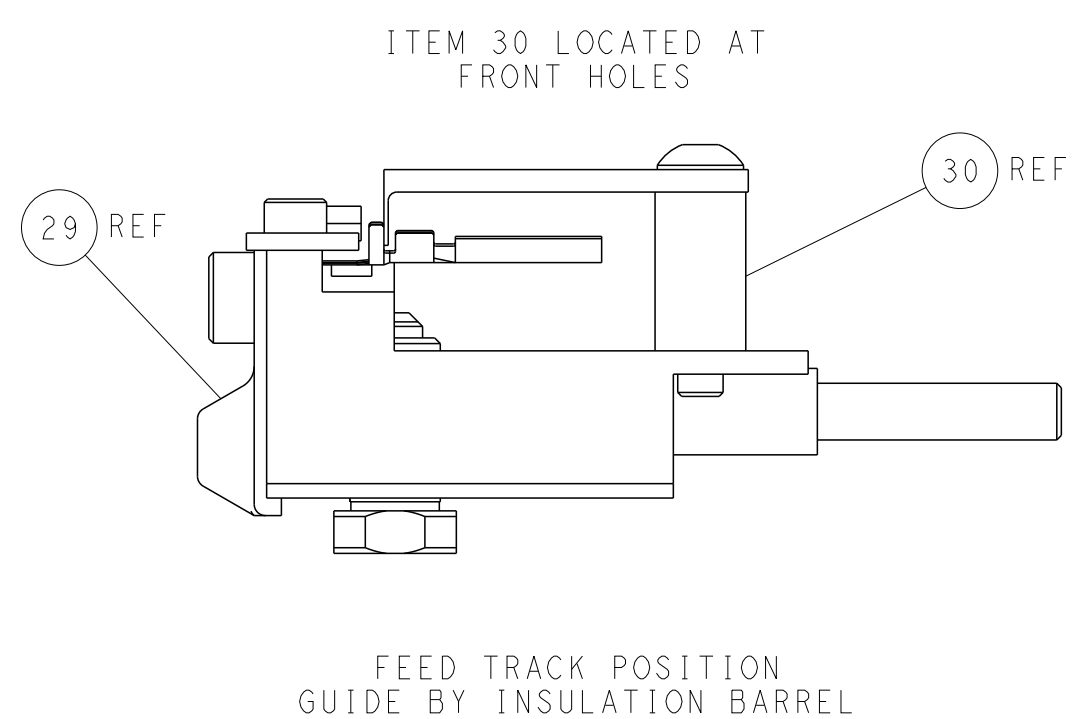
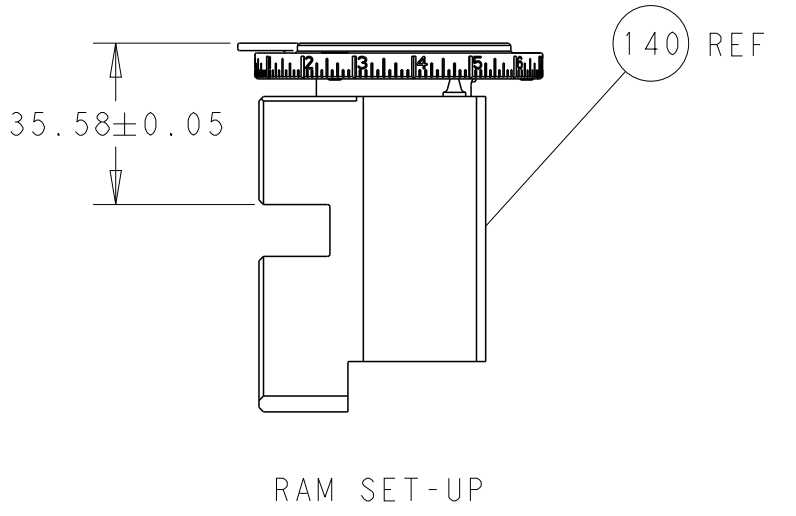
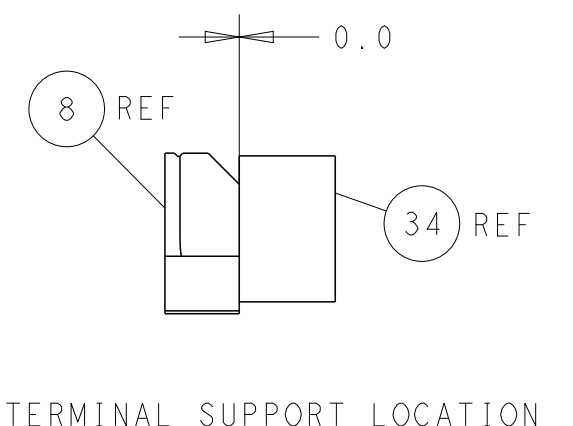
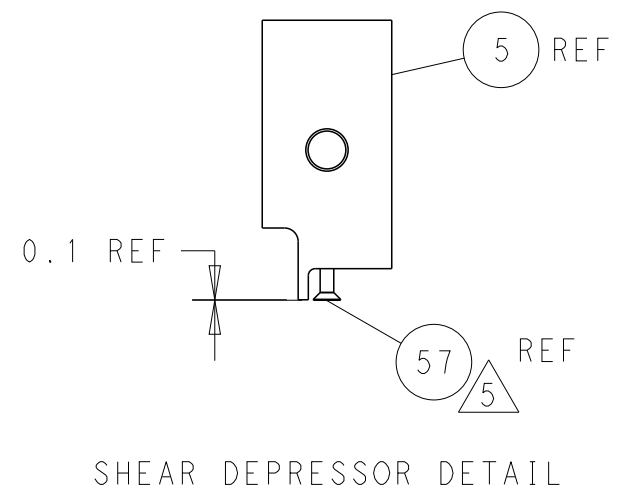
FEED TYPE MECHANICAL



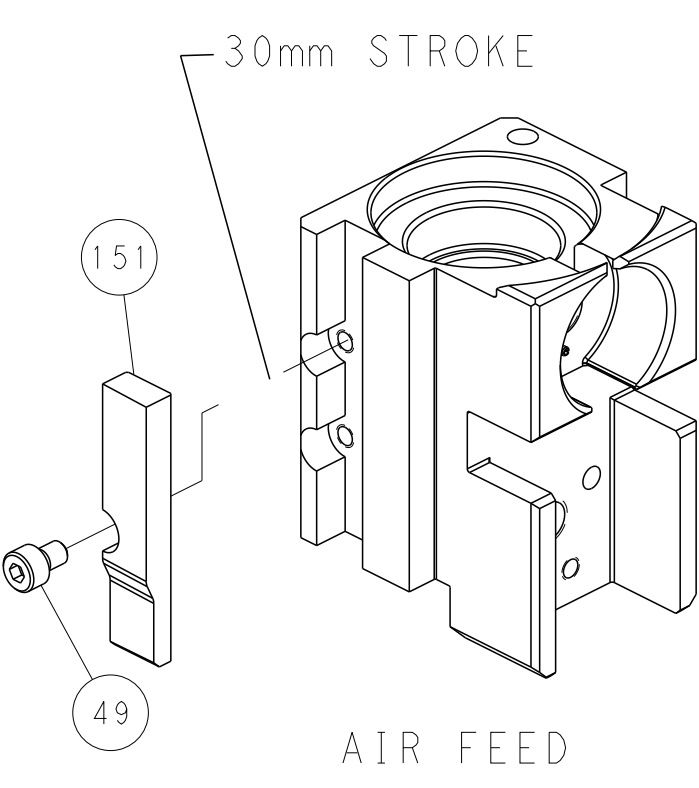
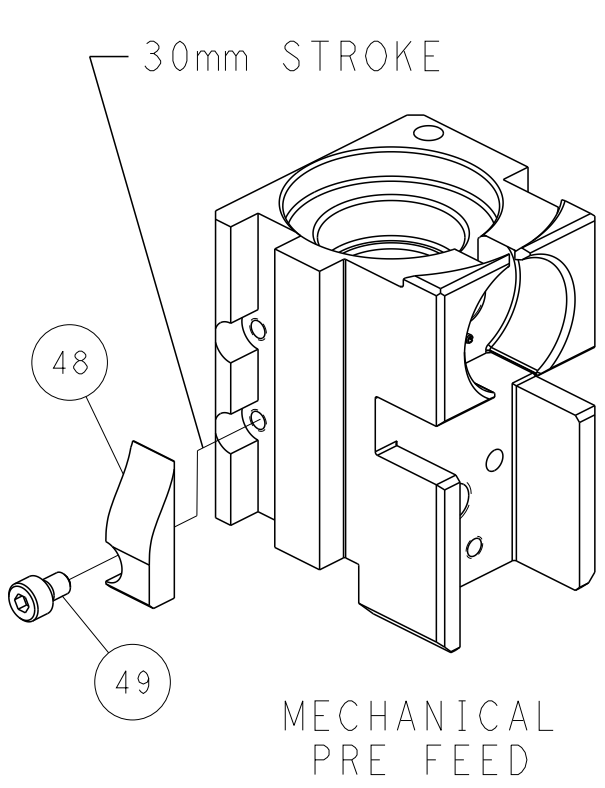
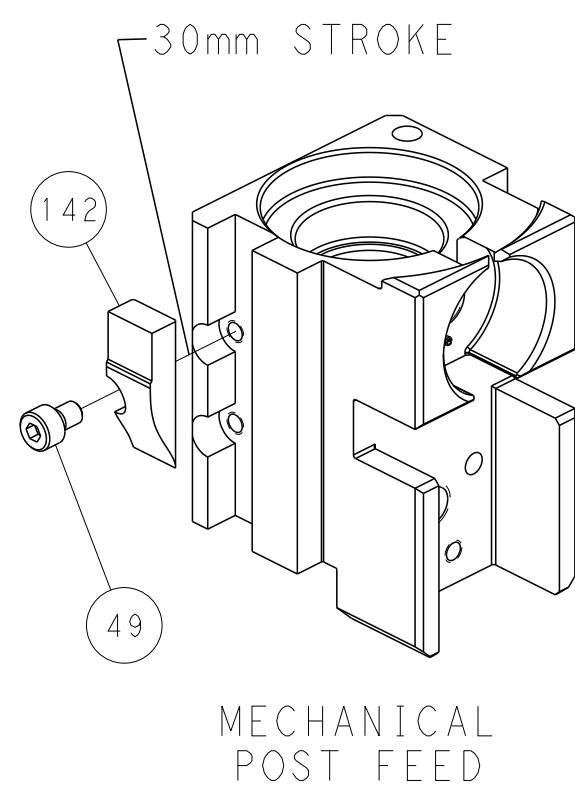
PNEUMATIC



REVISIONS				
P. LTM	DESCRIPTION	DATE	DWN	APVD
-	SEE SHEET 1	-	-	-



CAM POSITIONS



PACIFIC VERSION
 Shown on sheets 3 of 4 & 4 of 4
 (Atlantic version shown on sheets 1 of 4 & 2 of 4)

THIS DRAWING IS A CONTROLLED DOCUMENT.		DWN: H. HUANG 26MAR2014	TE Connectivity
DIMENSIONS: mm		CHK: L. ZHANG 26MAR2014	
TOLERANCES UNLESS OTHERWISE SPECIFIED:		APVD: H. GUO 26MAR2014	NAME: Ocean Side Feed Applicator
0 PLC ± 1 PLC ± 2 PLC ± 3 PLC ± 4 PLC ± ANGLES ±		PRODUCT SPEC	SIZE: CAGE CODE: DRAWING NO:
MATERIAL: -		FINISH: -	RESTRICTED TO: A100779C=2266243
CUSTOMER DRAWING		SCALE: 1:2	SHEET 4 OF 4 REV C