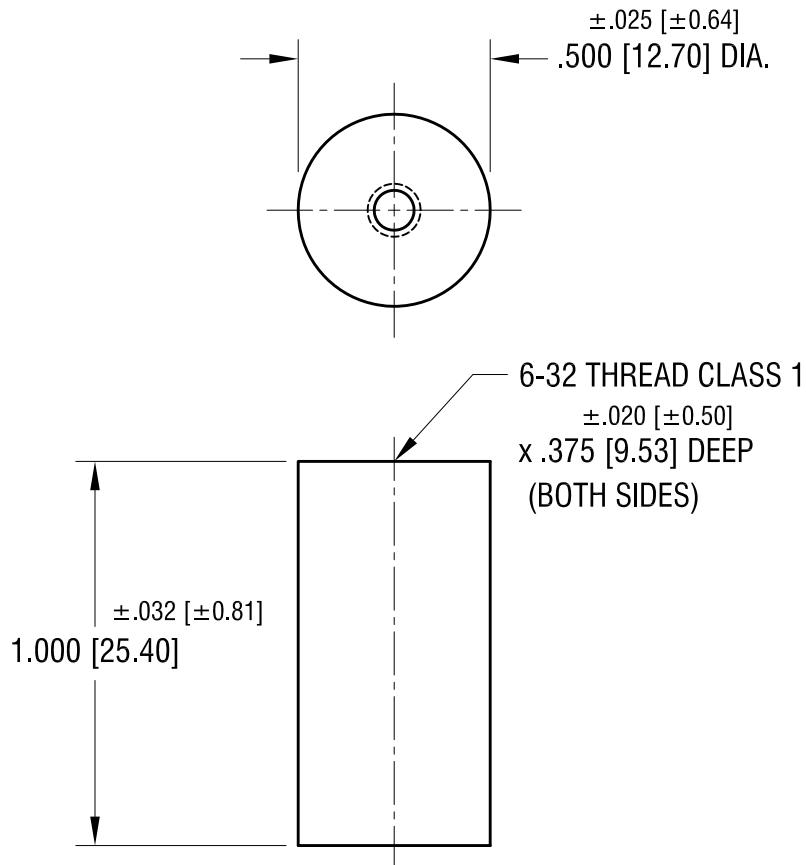


THIS DOCUMENT IS THE PROPERTY OF
KEYSTONE ELECTRONICS CORP. AND
SHALL NOT BE REPRODUCED, DISTRIBUTED
OR USED AS A BASIS FOR MANUFACTURE
WITHOUT PRIOR WRITTEN PERMISSION
FROM KEYSTONE ELECTRONICS CORP.



KEYSTONE ELECTRONICS CORP.

www.keyelco.com • NEW HYDE PARK, NY 11040 • Tel (516) 328-7500

PART NAME

CERAMIC STANDOFF

MATERIAL

GRADE L5 CERAMIC

FINISH

GLAZED

DRN BY

BOONE

DATE

11.22.96

APP'D

LN

SCALE

2X

TOLERANCES

INCH [MM]

CODE

DWG NO.

DECIMAL ±.005 [±0.13]

C

ANGULAR ± 1°
UNLESS OTHERWISE SPECIFIED

7716

DATE

DESCRIPTION

REV.