

PLEASE CHECK WWW.MOLEX.COM FOR LATEST PART INFORMATION

Part Number: [5601240131](#)
Status: **Active**
Overview: [DuraClik Connector System](#)
Description: DuraClik ISL Wire-to-Board Crimp Receptacle Terminal, Female, ASS 0.3 Square Wire, Gold

Documents:

[Drawing \(PDF\)](#) [Packaging Specification PK-560124-002 \(PDF\)](#)
[Product Specification PS-560123-003-001 \(PDF\)](#) [RoHS Certificate of Compliance \(PDF\)](#)
[Application Specification AS-560123-001-001 \(PDF\)](#)

General

Product Family Crimp Terminals
 Series [560124](#)
 Application Signal, Wire-to-Board
 Crimp Quality Equipment Yes
 Overview [DuraClik Connector System](#)
 Product Name DuraClik
 UPC 889056303293

Physical

Gender Female
 Material - Metal Copper Alloy
 Material - Plating Mating Gold
 Material - Plating Termination Tin
 Net Weight 0.063/g
 Packaging Type Reel
 Plating min - Mating 0.203µm
 Plating min - Termination 0.610µm
 Termination Interface: Style Crimp or Compression
 Wire Insulation Diameter 1.40mm
 Wire Size AWG 22
 Wire Size mm² 0.35

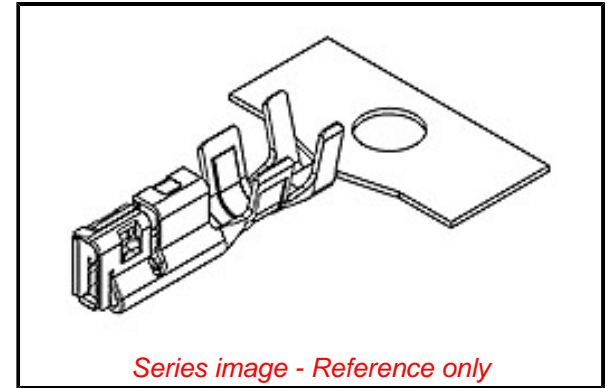
Electrical

Current - Maximum per Contact 3.0A
 Voltage - Maximum 125V

Material Info

Reference - Drawing Numbers

Application Specification [AS-560123-001-001](#)
 Crimp Specification [CS-560124-001-001](#)
 Packaging Specification [PK-560124-002](#)
 Product Specification [PS-560123-003-001](#)
 Sales Drawing [SD-560124-002](#)



Series image - Reference only

EU ELV

Compliant

EU RoHS

Compliant

REACH SVHC

Not Contained Per
 -ED/88/2018 (15
 January 2019)

Halogen-Free

Status

Low-Halogen

For more information, please visit [Contact US](#)

China ROHS

Not Relevant

ELV

Compliant

RoHS Phthalates

Not Contained

Search Parts in this Series

[560124](#) Series

Use With

[560123](#) DuraClik ISL Receptacle Housing

Application Tooling | FAQ

Tooling specifications and manuals are found by selecting the products below. Crimp Height Specifications are then contained in the Application Tooling Specification document.

Global

Description

Product #

Extraction and [638132700](#)

Activation Tool

Hand Crimp Tool [638277800](#)

for DuraClik ISL

Receptacle Terminal,

Female, ASS

0.30-0.35 Square

Wire

FineAdjust Applicator [639037400](#)

for 2.00mm DuraClik

ISL Receptacle

Terminals, 0.30mm²
AVSS, 0.35mm² ISO
wires

This document was generated on 04/23/2019

PLEASE CHECK WWW.MOLEX.COM FOR LATEST PART INFORMATION