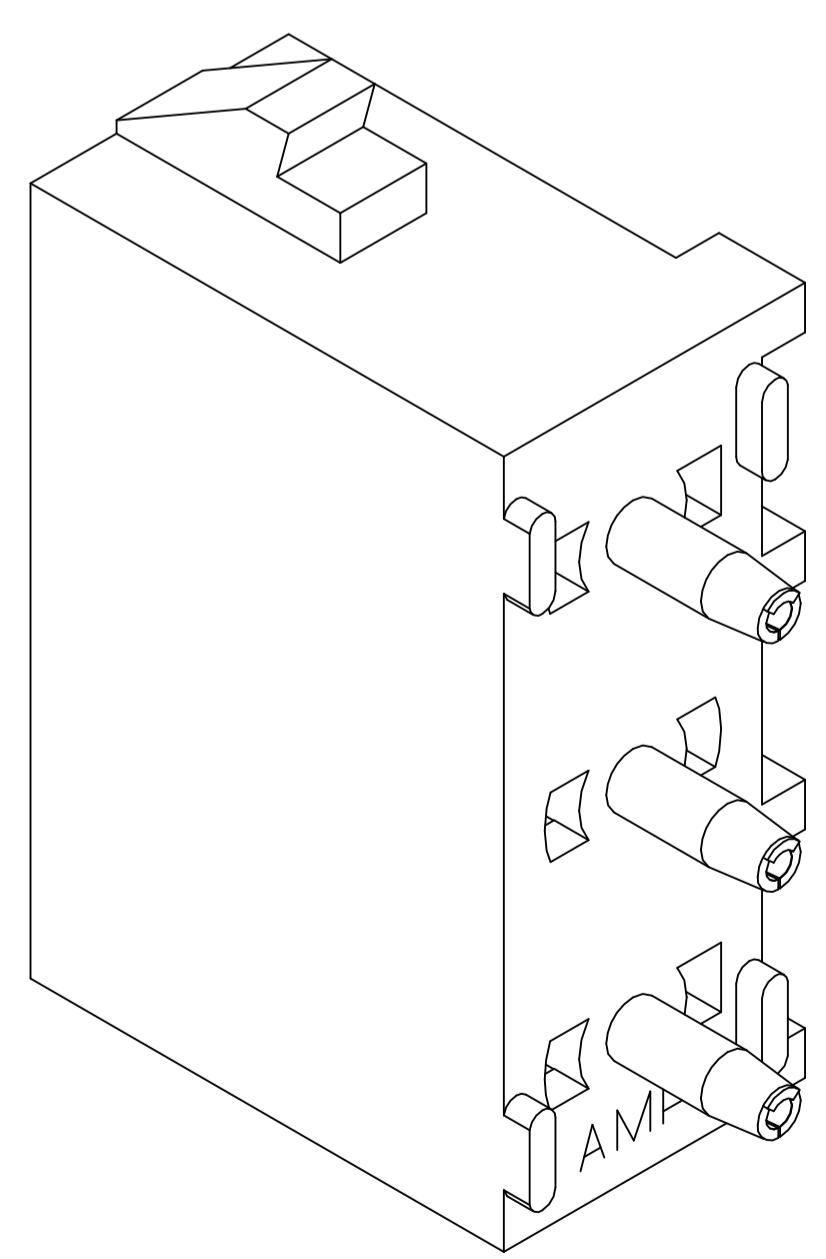
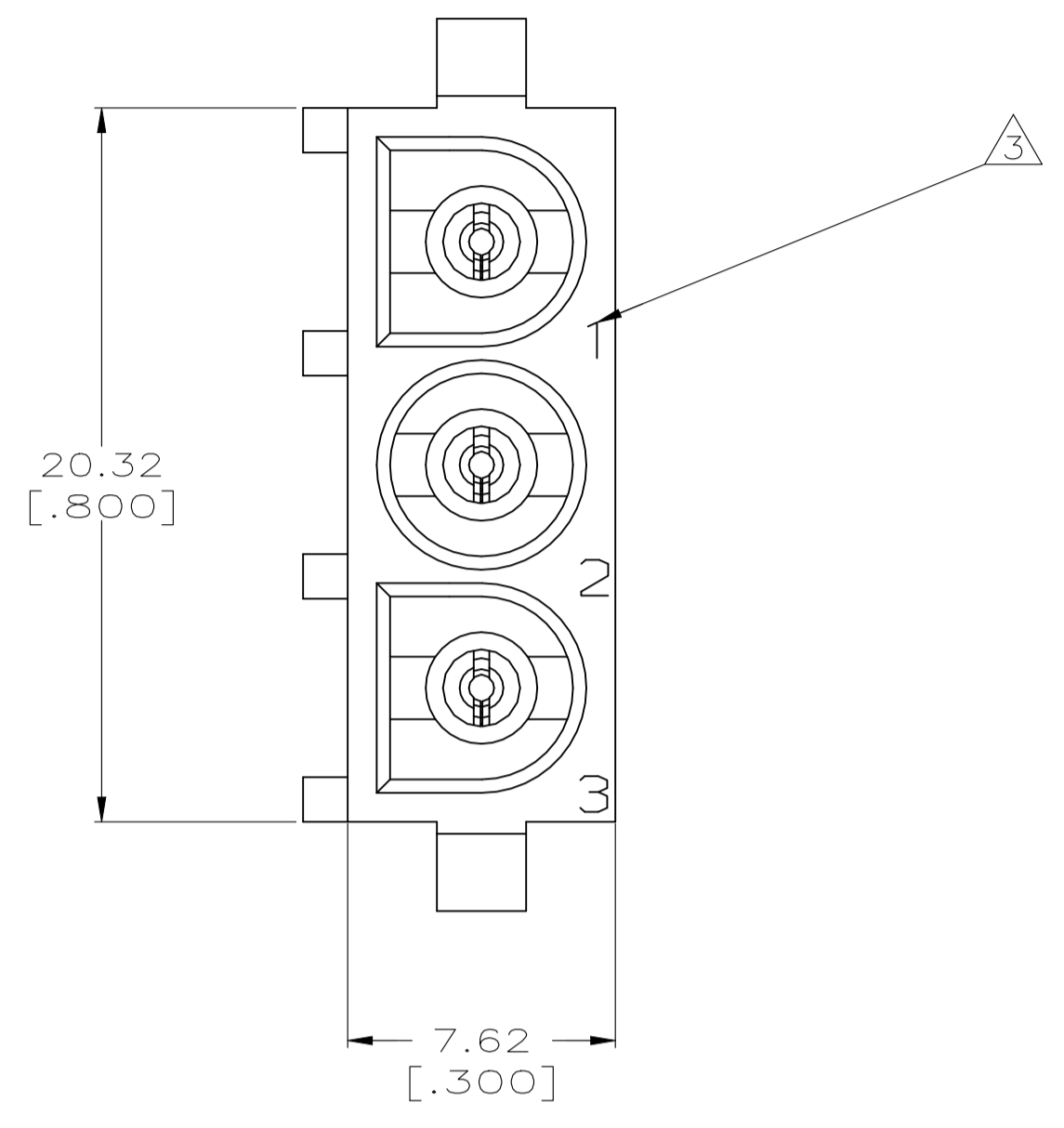
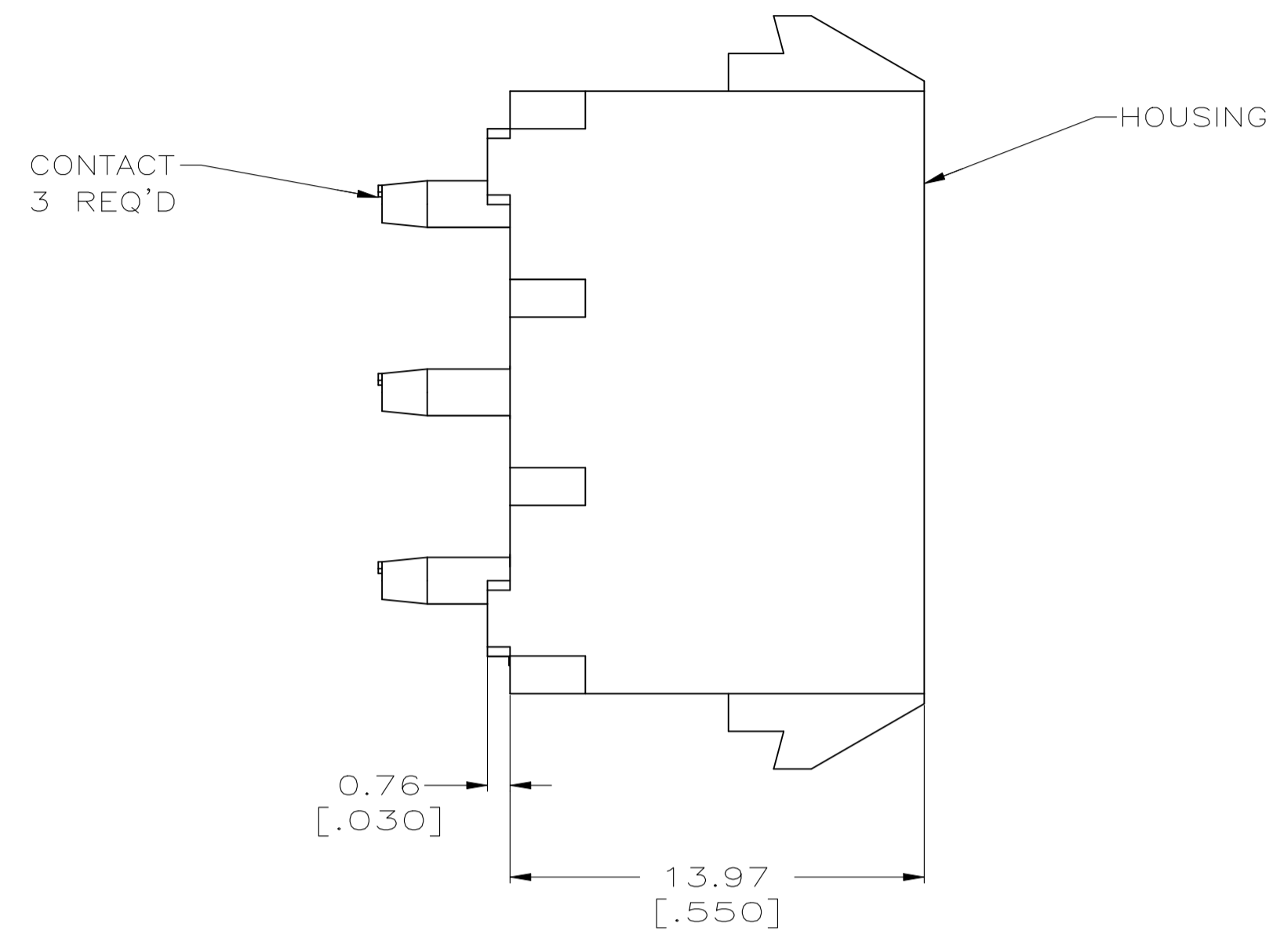
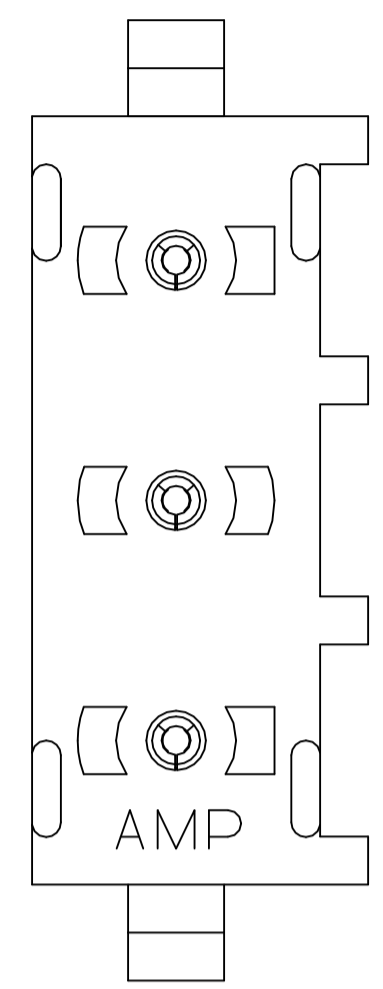
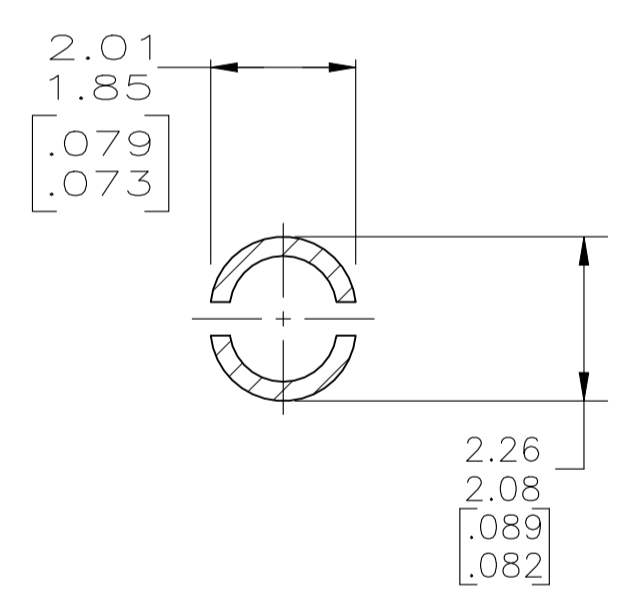
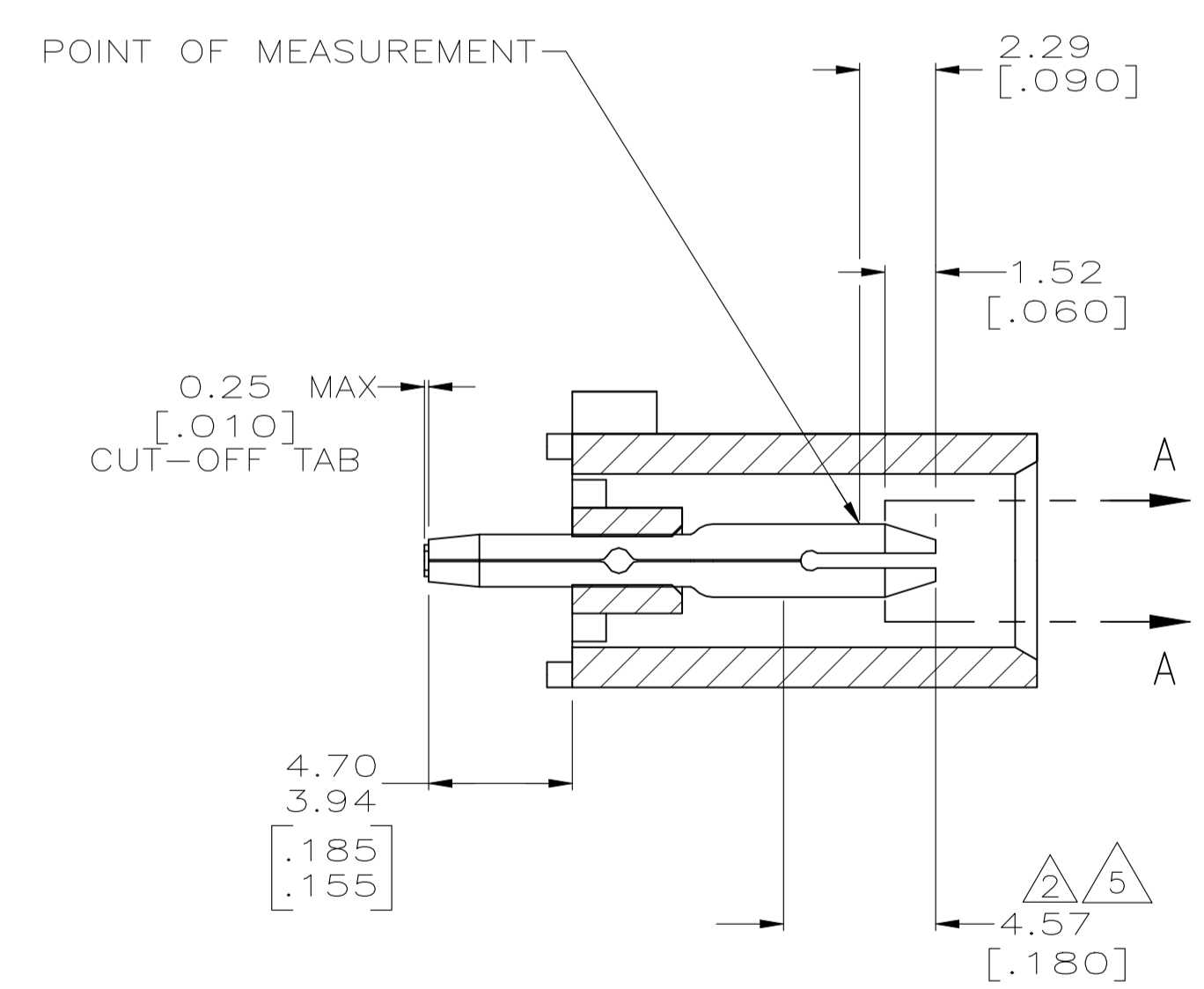


LOC		DIST		REVISIONS			
REV	DATE	BY	APP'D	DESCRIPTION	DATE	BY	APP'D
R4	01AUG22	GR	VS	REVISED PER ECR-21-118795			

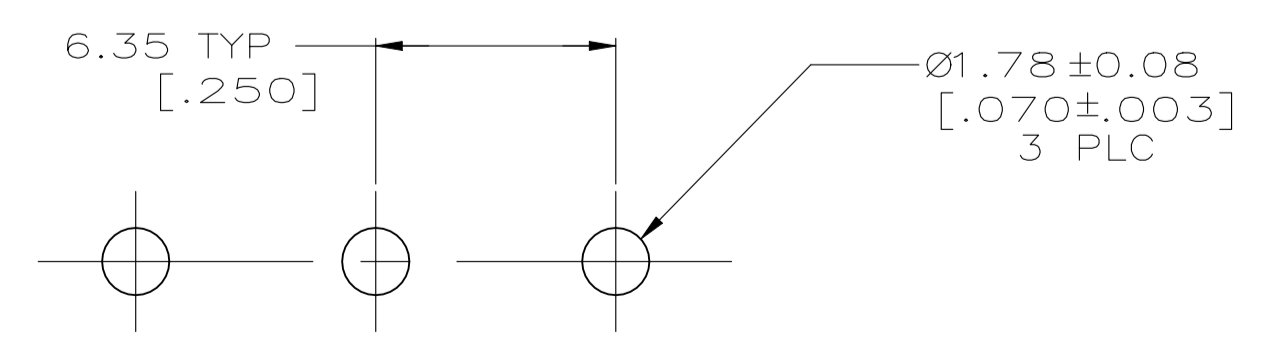
- 1 PARTS COMPLY TO AMP SOLDERABILITY SPECIFICATION 109-11-3.
- 2 CONTACT IS PLATED OVERALL WITH 0.00127 [.000050] NICKEL, THEN 0.00076 [.000030] GOLD OVER CONTACT LENGTH INDICATED AND MATTE TIN-LEAD ON SOLDER TAIL END.
- 3 CIRCUIT IDENTIFICATION CHARACTERS ARE ADJACENT TO THE INDICATED CAVITIES, BUT LOCATION AND ORIENTATION MAY DIFFER FROM PRINT.
- 4 DIMENSIONS IN BRACKETS ARE IN INCHES.
- 5 CONTACT IS PLATED OVERALL WITH 0.00127 [.000050] NICKEL, THEN 0.00076 [.000030] GOLD OVER CONTACT LENGTH INDICATED AND MATTE TIN ON SOLDER TAIL END.
- 6 SUPERSEDED BY 350789-3
- 7 DIMENSION SHOWN REPRESENT PRODUCT IN DRY CONDITION. ADDITIONAL 2% GROWTH DUE TO END USE LOCATION MOISTURE ABSORPTION MAY OCCUR AND SHOULD BE ACCOUNTED FOR.



3-DIMENSIONAL MODEL  
NTS



SECTION A-A  
SCALE 10:1



RECOMMENDED MOUNTING HOLE PATTERN  
FOR 1.57 [.062] THICK P.C. BOARD

PHOSPHOR BRONZE, PRE-TIN	NYLON, UL94V-0, BLUE	1-350789-6
PHOSPHOR BRONZE, PRE-TIN	NYLON, UL94V-0, RED	1-350789-2
PHOSPHOR BRONZE, GOLD 5	NYLON, UL94V-0, WHITE	350789-3
PHOSPHOR BRONZE, GOLD 2	NYLON, UL94V-0, WHITE	350789-2
PHOSPHOR BRONZE, PRE-TIN	NYLON, UL94V-0, WHITE	350789-1
PIN CONTACT MATERIAL AND FINISH	HOUSING MATERIAL	PART NUMBER

DIMENSIONS:		TOLERANCES UNLESS OTHERWISE SPECIFIED:		APPROVED		DRAWING NO.		RESTRICTED TO	
mm	[INCHES]	0 PLC	±	APVD	DATE	SIZE	CAGE CODE	DRAWING NO.	REVISION
		1 PLC	±	S. CARPENTER	23JUN2003	A1	00779	C=350789	
		2 PLC	±	S. RIDGILL	23JUN2003				
		3 PLC	± 0.13 [.005]	STE TE Connectivity					
		4 PLC	±	PIN HEADER ASSEMBLY, 3 CIRCUIT, UNIVERSAL MATE-N-LOK(TM)					
		ANGLES	± α°30'	CUSTOMER DRAWING					
MATERIAL SEE TABLE		FINISH SEE TABLE		WEIGHT		SCALE 5:1		SHEET 1 OF 1	