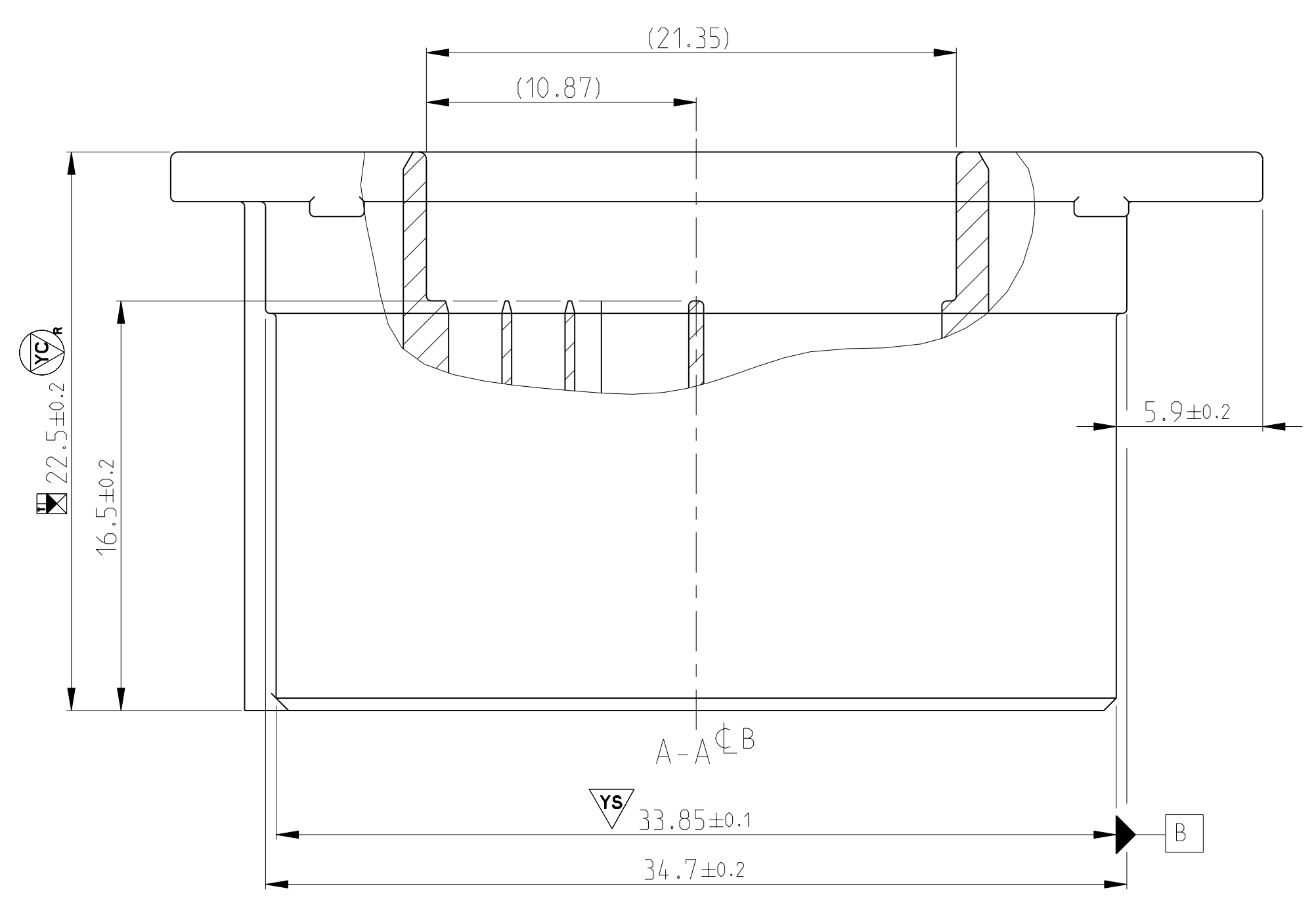
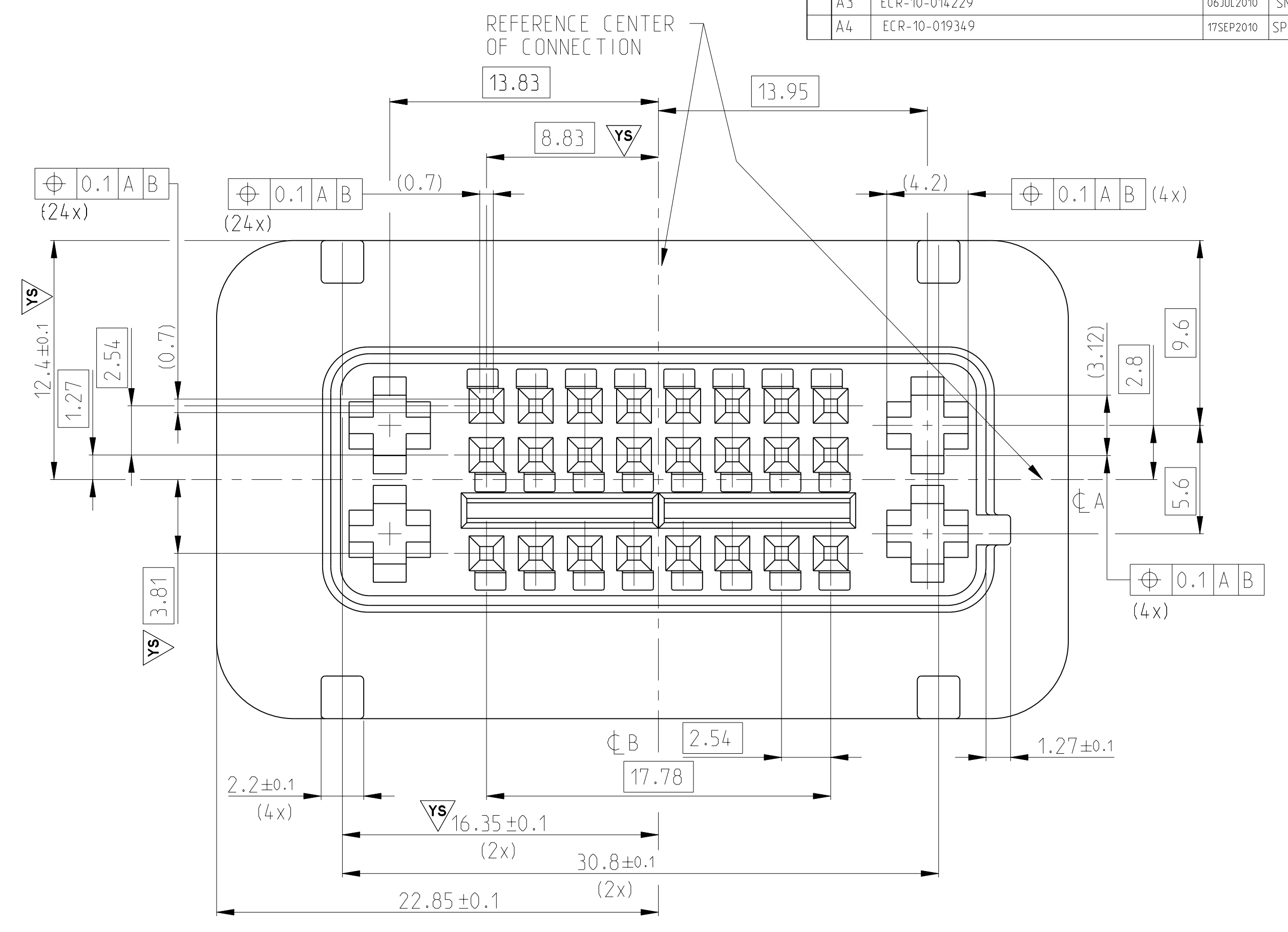
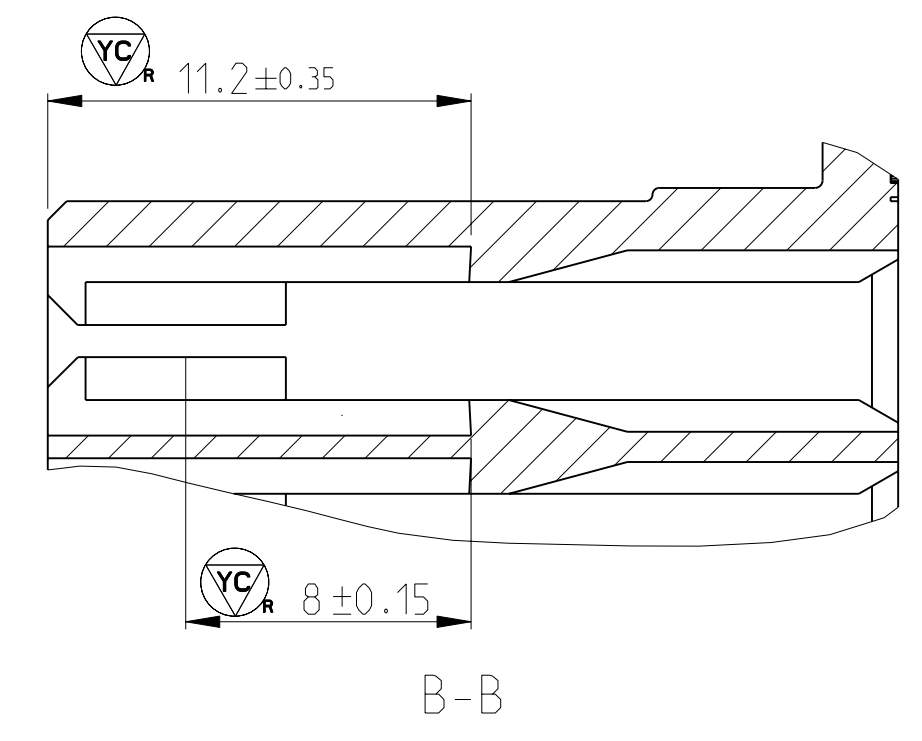
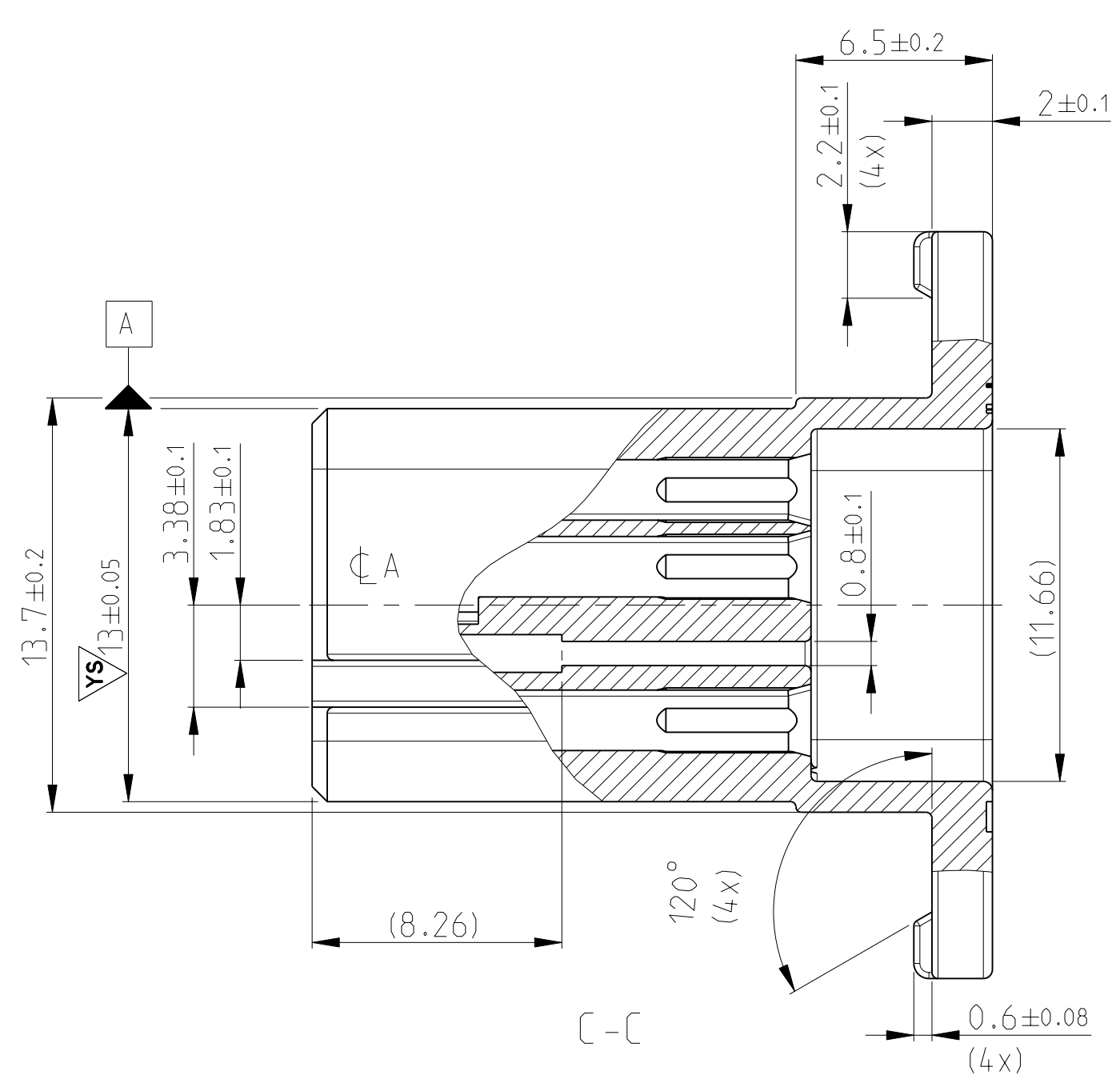
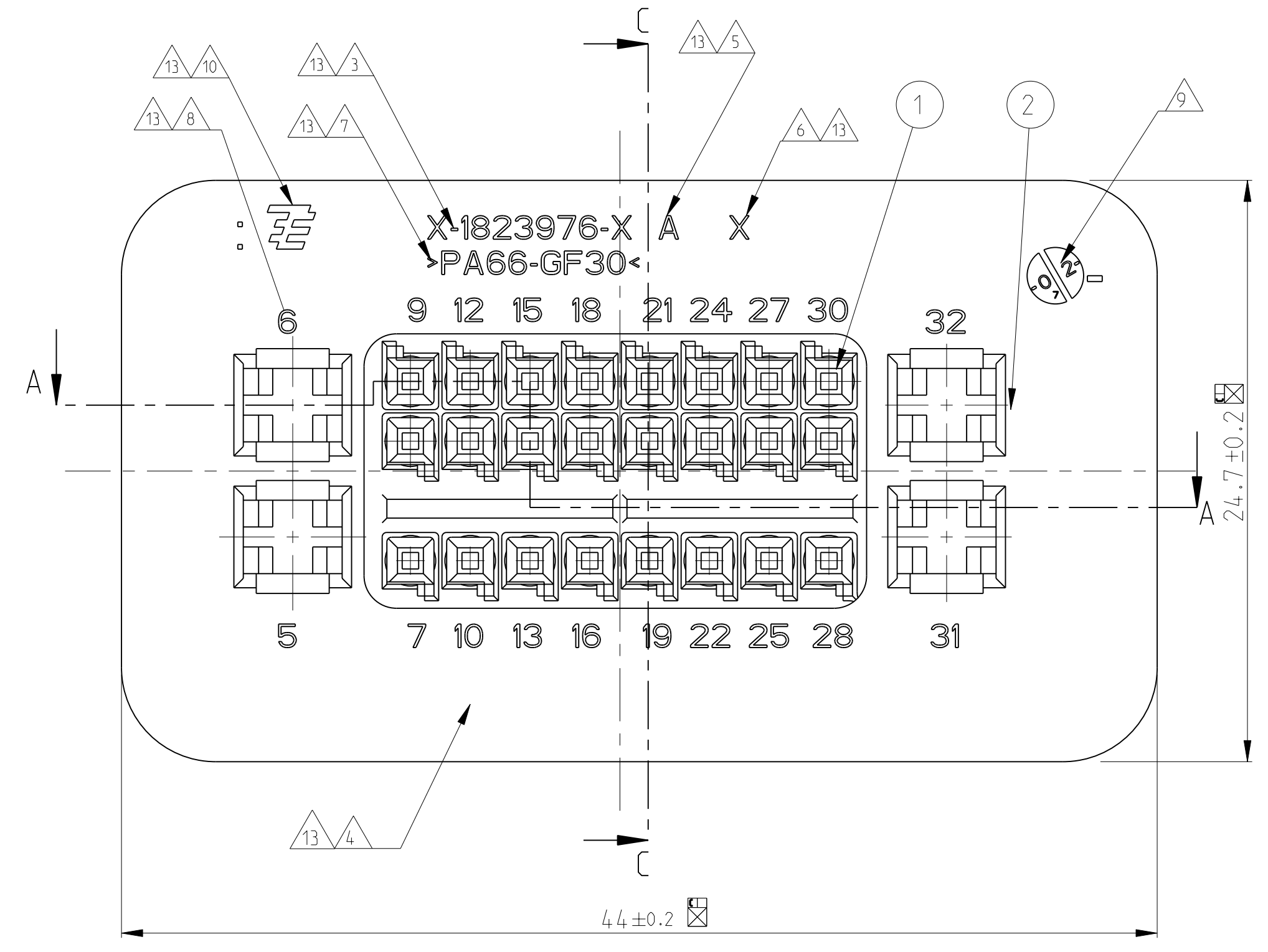
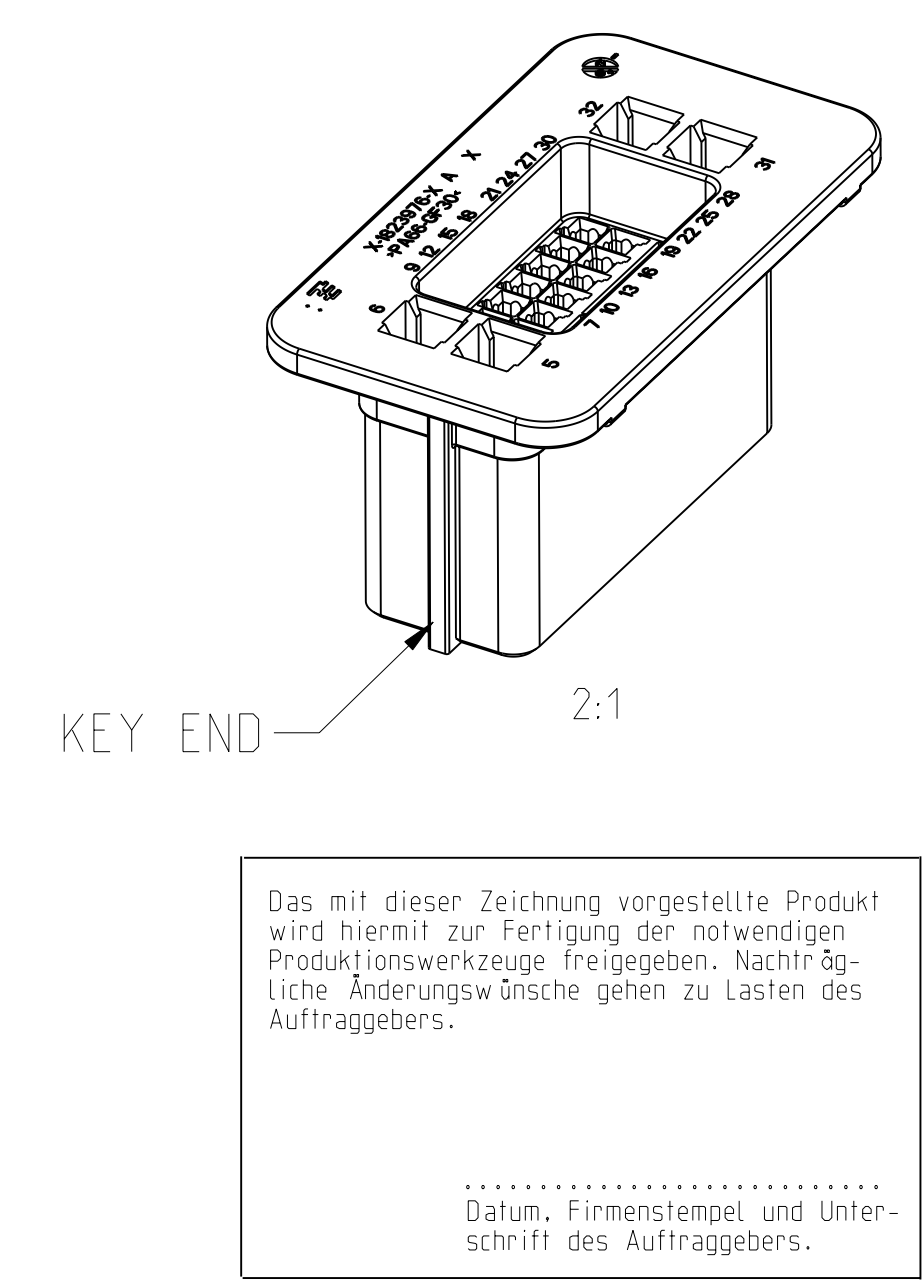


LOC	DIST	REV	DATE	BY	APPV
A1	-	1	01DEC2009	SPB	BB
A2	-	2	06MAY2010	SN	BB
A3	-	3	06JUL2010	SN	BB
A4	-	4	17SEP2010	SPB	BB

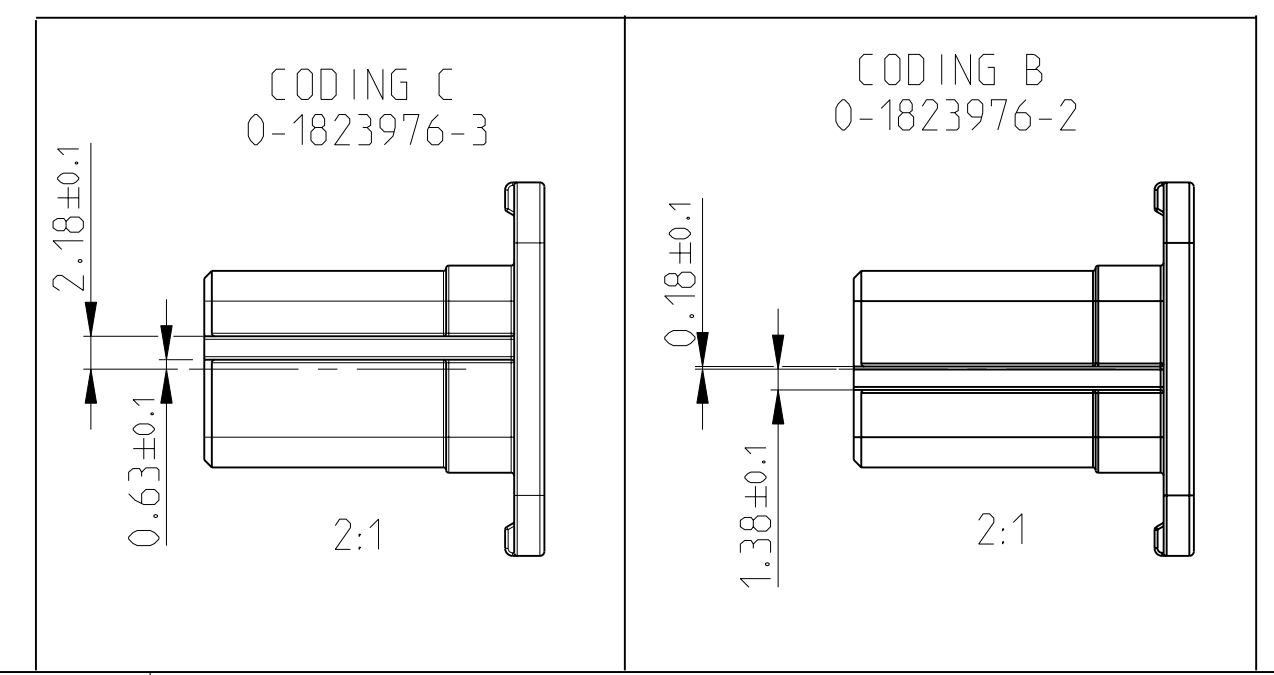


### SYMBOLS DEFINITION

DESIGNATION	SYMBOL
DIMENSION LABEL	(X)
DIMENSION FOR INFORMATION ONLY	>X<
SPECIAL CHARACTERISTIC (ACCORDING TO FMEA-LO11 N0805-208-001)	YC/R, YS



- NOTES
- 1 FOR CONTACTS SEE THE DRAWINGS: MICRO QUADLOK SYSTEM: 929454 JUNIOR POWER TIMER: 1355047
  - 2 ALL RADII R0.5 EXCEPT AS NOTED
  - 4 TE PART NO. (SEE TABLE)
  - 5 ALERT PART NO. (SEE TABLE)
  - 6 REVISION (SEE TABLE)
  - 7 TOOLING CAVITY MARKING (NOT USED FOR PILOT TOOLING)
  - 8 MATERIAL IDENTIFICATION (SEE TABLE)
  - 1 CAVITY IDENTIFICATION
  - 9 PRODUCTION DATE WITH DATE INSERT, Ø3, SUNK 0.2mm
  - 10 TE-LOGO PN 1-15994-1 ACCORDING TO THE DRAWING 15994, SUNK 0.2mm
  - 11 VOLUME 6133mm<sup>3</sup>
  - 12 REGRIND MAX. 15%
  - 13 CHARACTERS ACC. TO DIN 1451, SUNK 0.2mm
  - 14 MATERIAL: PA66-GF30. COLOR: BLACK



CODING A  
 Kodierung A  
 -01 AS SHOWN  
 wie gezeigt

ITEM NO.	DESCRIPTION	ITEM NO.	DESCRIPTION
0-1823976-3	SOCKET HOUSING	1823940-2	
0-1823976-2	SOCKET HOUSING	1823940-3	
0-1823976-1	SOCKET HOUSING	1823940-1	

Passend zu: Stiftwanne  
 SUITABLE FOR: PIN HEADER  
 TE

TE PART NUMBER	SURFACE MATERIAL	BASE MATERIAL	CONTACT TYPE	CAVITY POSITION
	TIN	CuSn4	JPT	2
	TIN	NOT DEFINED	MQS	1

DATE: 21MAY2009	BY: SHASHIDHARA N	APPV: BOB BAKER
Tyco Electronics AMP GmbH D - 64625 Bensheim		
NAME: JPT/MQS SOCKET HOUSING 4+24POS JPT/MQS Buchsengehäuse 4+24pol.		
SIZE: A1	CAGE CODE: 00779	DRAWING NO: 1823976
CUSTOMER DRAWING		