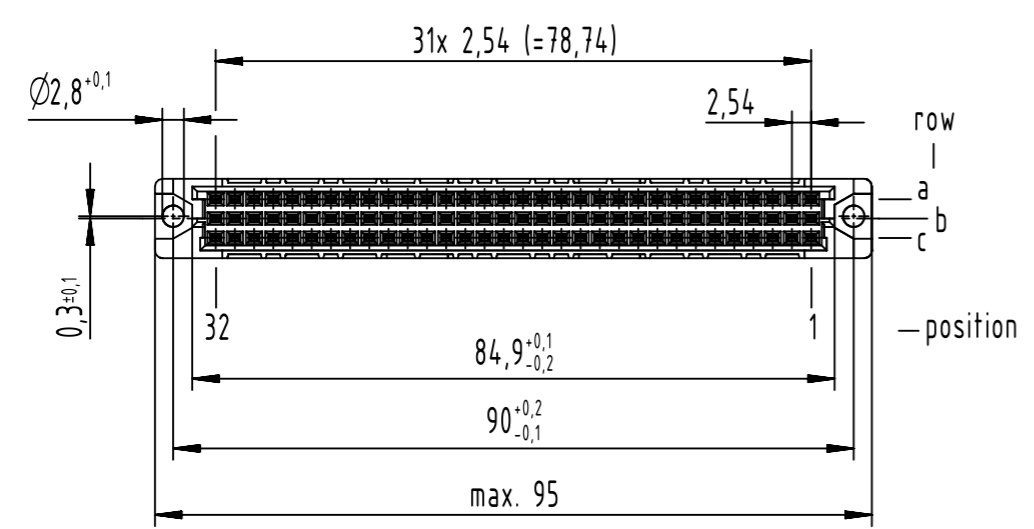
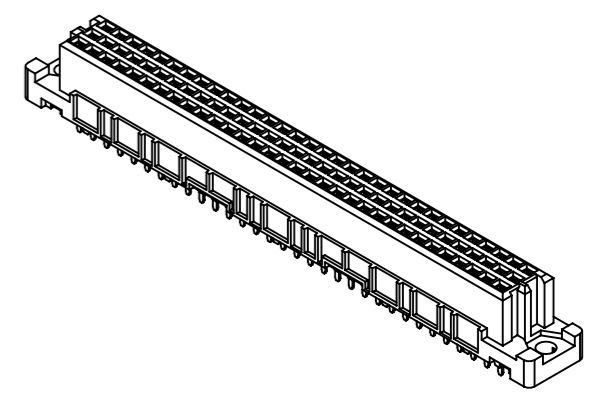
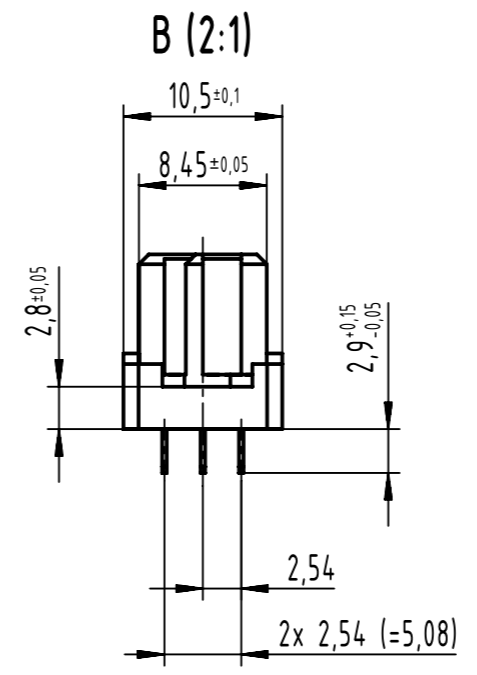
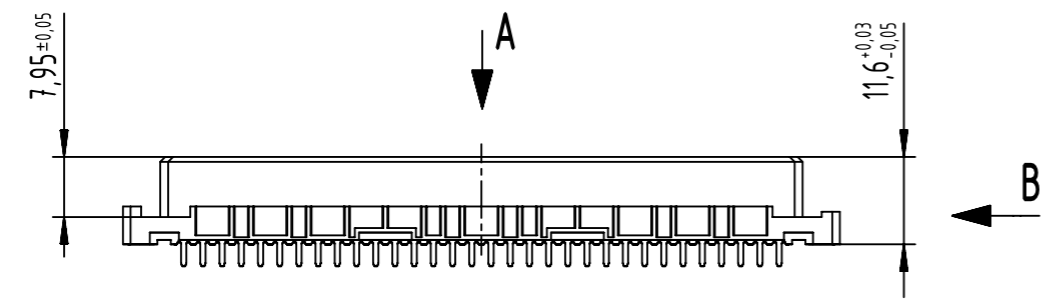


- 96 solder contacts
- ☒ = solder contact
 - = kinked solder contact
 - = position without contact



further information see product data sheet

09 03 296 6824 222	2
09 03 296 2824 222	1
part no.	performance level

	All Dimensions in mm Original Size DIN A3		Scale 1:1	Free size tol. complementary IEC 60603-2		Ref. Sub.	
	All rights reserved Department EL PD		Created by STORCK	Inspected by LEHNERT	Standardisation 302077	Date 2021-03-12	State Final Release
HARTING D-32339 Espelkamp		Title DIN Signal type C female solder 2.9 NFF 96-pole			Doc-Key / ECM-Nr. 100173852/UGD/155/G 500000190255		Rev. G
		Type TB	Number 0903296X824222		Page 1/1		