

MATERIALS AND FINISHES:

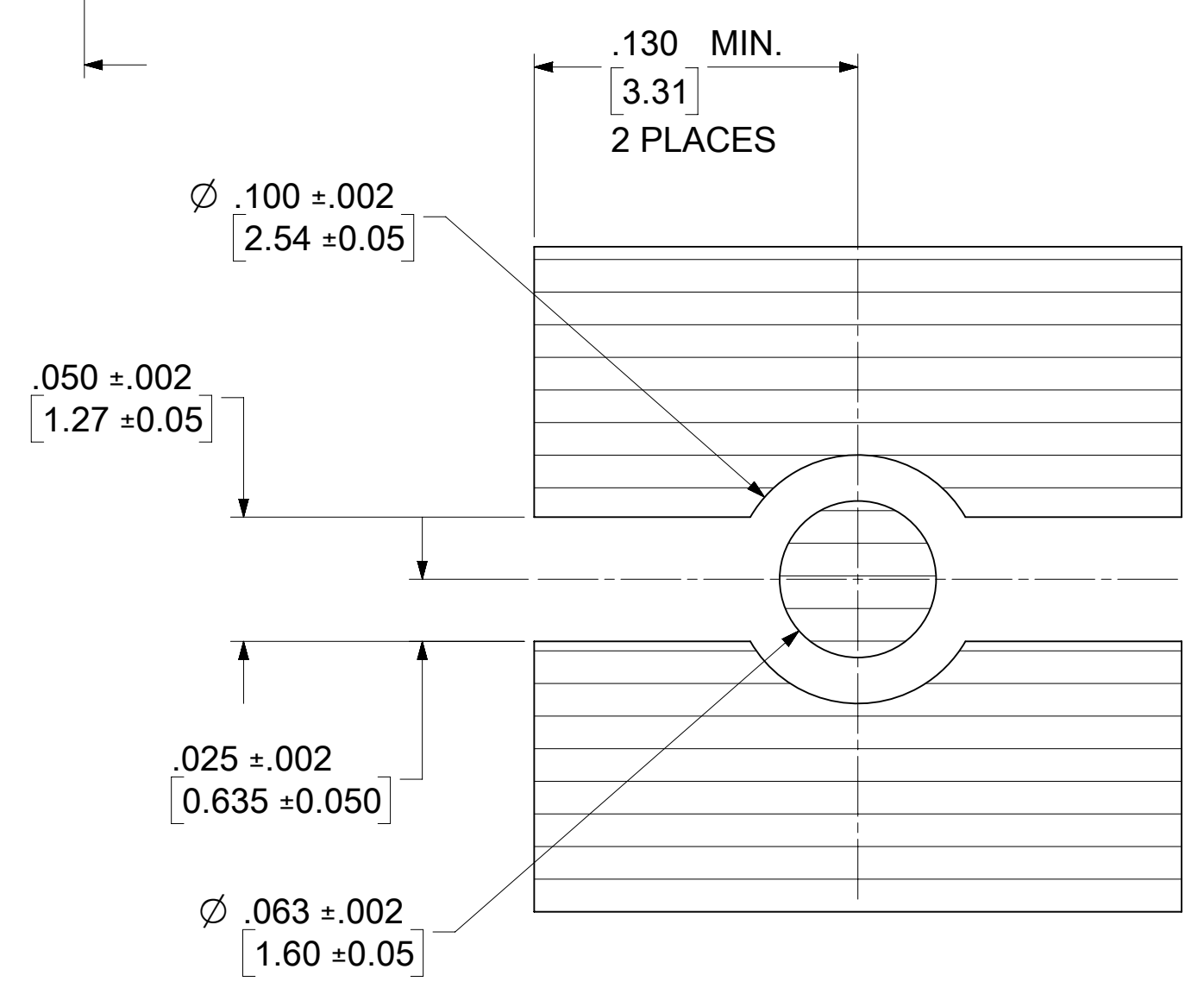
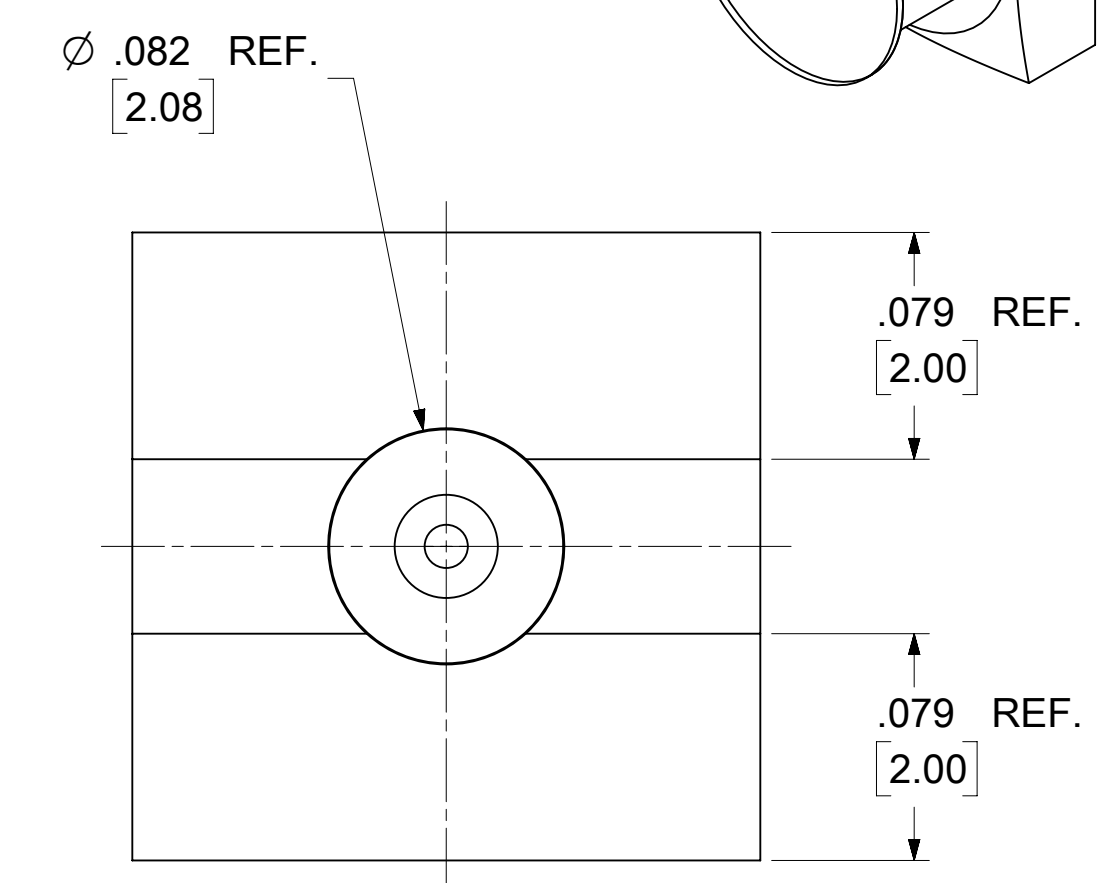
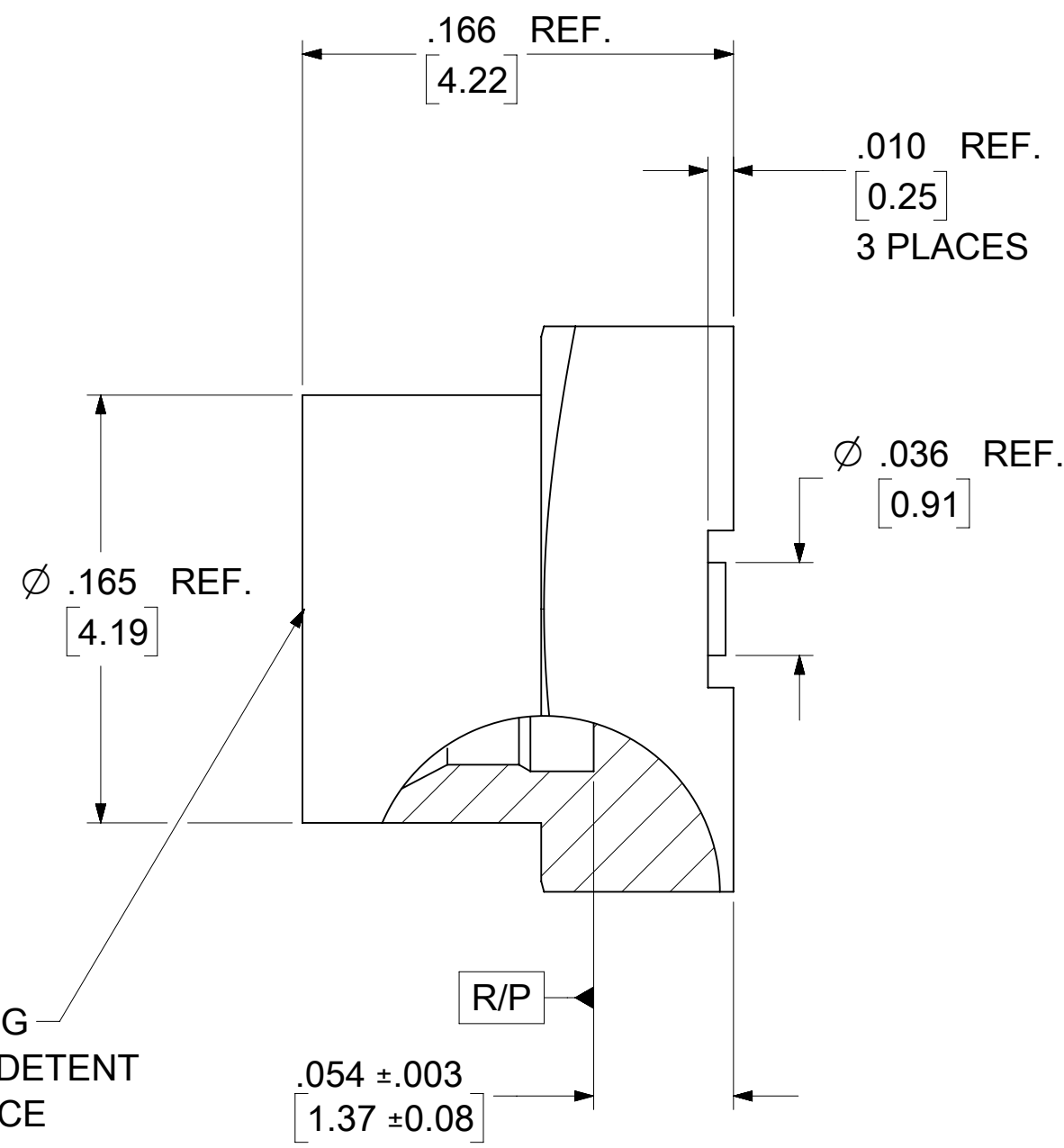
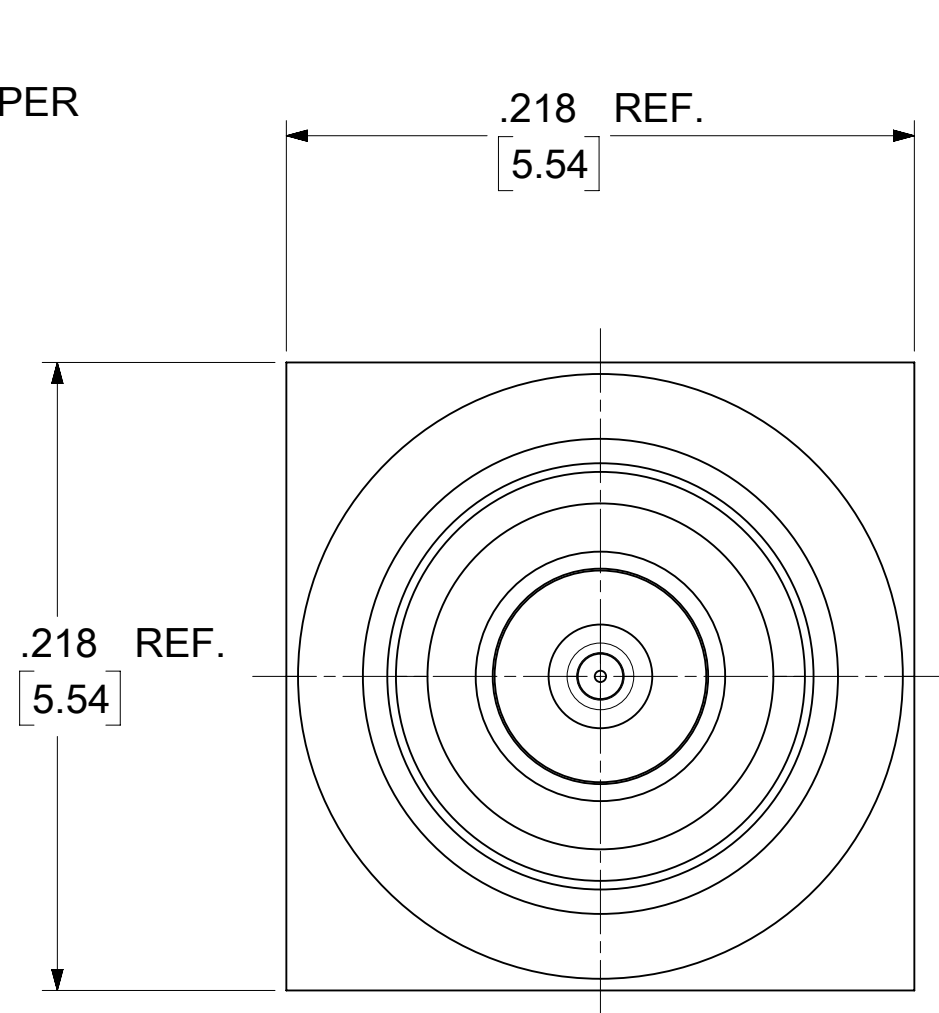
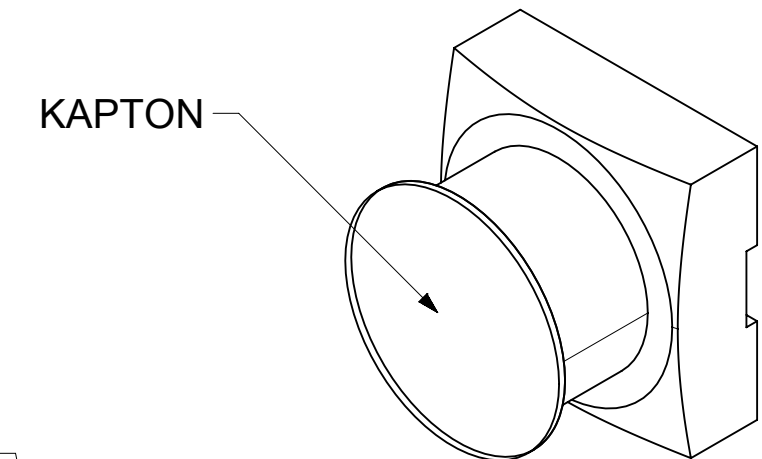
BODY: BRASS  
 PLATED: GOLD (10μ-in MIN)  
 OVER NICKEL (100μ-in MIN)

CENTER CONTACT: BERYLLIUM COPPER  
 PLATED: GOLD (30μ-in MIN)  
 OVER NICKEL (100μ-in MIN)

INSULATOR: PTFE

KAPTON: POLYIMIDE  
 COLOR: BLACK

SEE SHEETS 2 & 3 FOR PACKAGING  
 INSTRUCTIONS)



RECOMMENDED PCB LAYOUT

LABEL FORMAT FOR  
 73415-5011

PART NUMBER: 73415-5010  
 ORDER NUMBER: 73415-5011  
 MOLEX  
 DATE: YYWW

73415-5011	73415-5010 ONE PER BAG	895420470
73415-5010	TAPE AND REEL	SEE SHEET 2 & 3
PART NO.	DESCRIPTION	PACKING SPEC

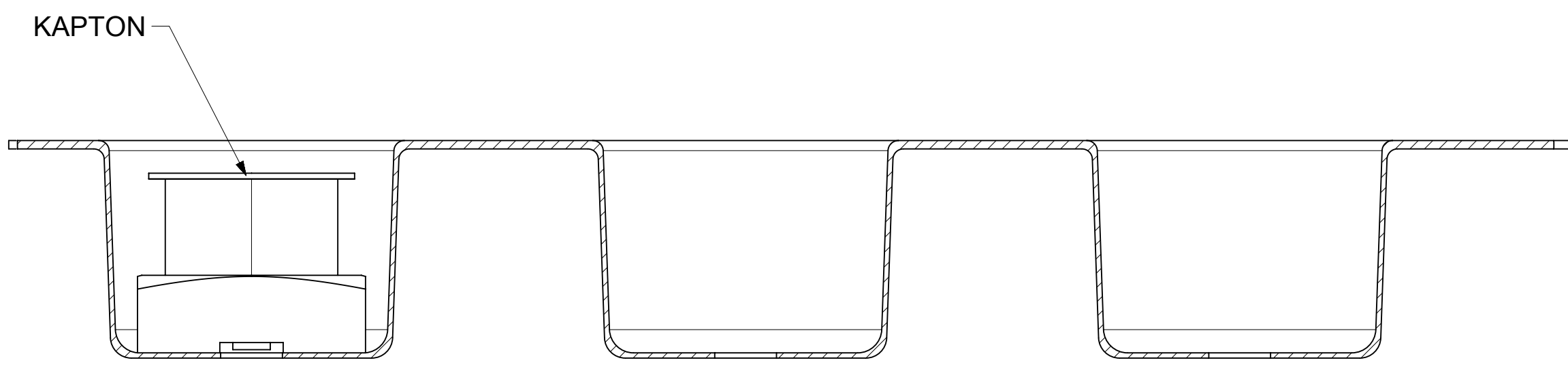
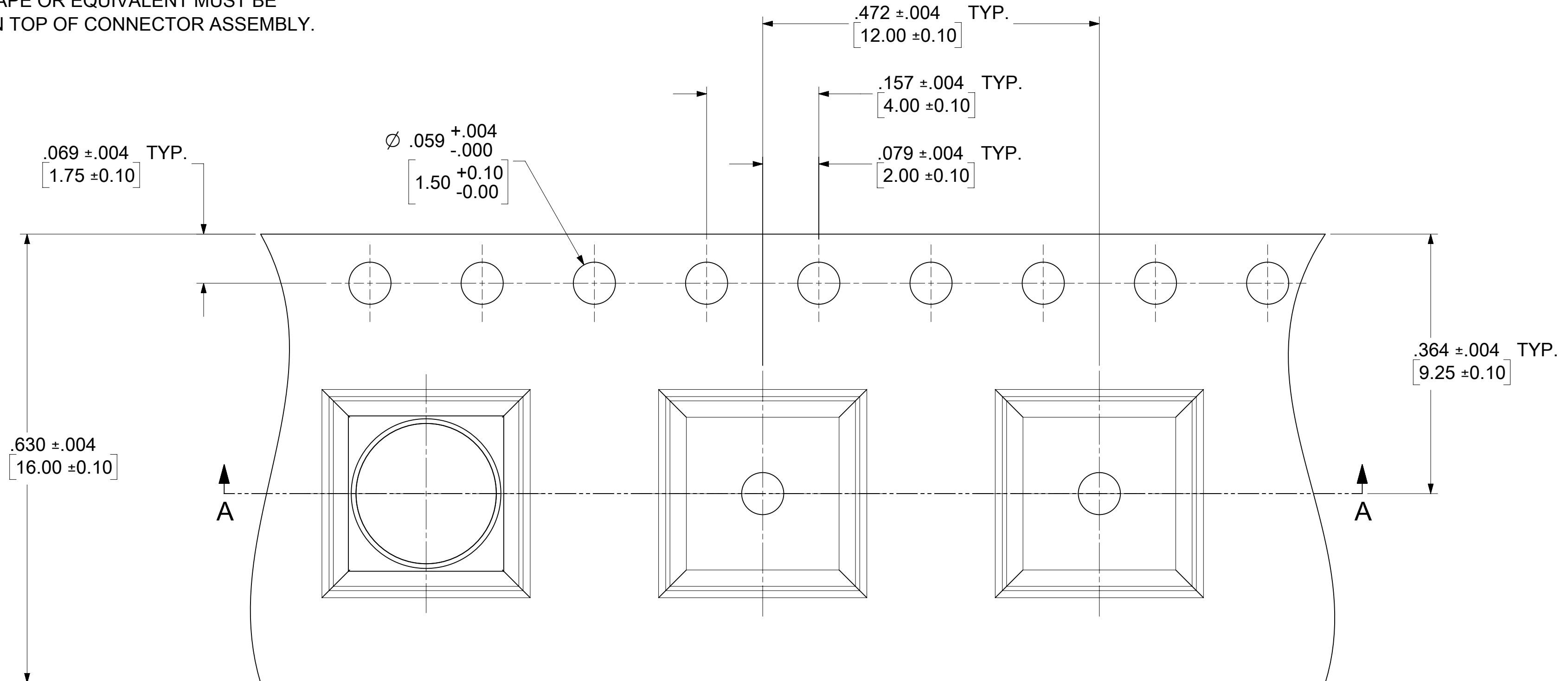
PS-89675-3320	PRODUCT SPECIFICATION
MIL-STD-348B, FIG. 326.3	INTERFACE SMP LD
SPECIFICATION	DESCRIPTION

DOCUMENT STATUS	P1	RELEASE DATE	2022/08/29 03:27:21
-----------------	----	--------------	---------------------

THIS DRAWING CONTAINS INFORMATION THAT IS PROPRIETARY TO MOLEX ELECTRONIC TECHNOLOGIES, LLC AND SHOULD NOT BE USED WITHOUT WRITTEN PERMISSION

FUNCTIONAL SYMBOLS	DIMENSION UNITS	SCALE	CURRENT REV DESC: ADD 73415-5011 PER EWR# 15321-C
$\nabla_A = 0$	INCH/MM	NTS	
$\nabla_C = 0$	GENERAL TOLERANCES (UNLESS SPECIFIED)		
$\nabla_P = 0$	ANGULAR TOL ± 0.5°		
DIVISIONAL SYMBOLS	4 PLACES ±	EC NO: 719080	2022/08/24
	3 PLACES ±	DRWN: ELIN	2022/08/29
	2 PLACES ± 0.25	CHK'D: YCHENG	2022/08/29
	1 PLACE ±	APPR: YCHENG	
	0 PLACES ±	INITIAL REVISION:	
		DRWN: YCHENG	2009/05/08
		APPR: GMH	2004/06/10
DRAFT WHERE APPLICABLE MUST REMAIN WITHIN DIMENSIONS	THIRD ANGLE PROJECTION	DRAWING	SERIES
		C-SIZE	73415
		MATERIAL NUMBER	CUSTOMER
		SEE TABLE	GENERAL MARKET
		DOCUMENT NUMBER	DOC TYPE   DOC PART   REVISION
		SD-73415-501	PSD 001 A4
		SHEET NUMBER	1 OF 3

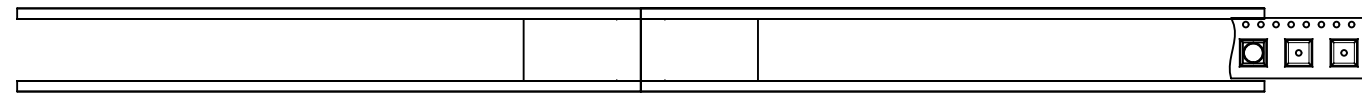
NOTE:  
 1. 10 PITCHES CUMULATIVE TOLERANCE ±0.20(.008)  
 2. KAPTON TAPE OR EQUIVALENT MUST BE PLACED ON TOP OF CONNECTOR ASSEMBLY.



SECTION A-A

THIS DRAWING CONTAINS INFORMATION THAT IS PROPRIETARY TO MOLEX ELECTRONIC TECHNOLOGIES, LLC AND SHOULD NOT BE USED WITHOUT WRITTEN PERMISSION												
FUNCTIONAL SYMBOLS	DIMENSION UNITS	SCALE	CURRENT REV DESC: ADD 73415-5011 PER EWR# 15321-C									
$\frac{F}{A} = 0$	INCH/MM	NTS	EC NO: 719080 DRWN: ELIN 2022/08/24 CHK'D: YCHENG 2022/08/29 APPR: YCHENG 2022/08/29 INITIAL REVISION: DRWN: YCHENG 2009/05/08 APPR: GMH 2004/06/10									
$\frac{F}{C} = 0$	GENERAL TOLERANCES (UNLESS SPECIFIED)											
$\frac{F}{P} = 0$	ANGULAR TOL ± 0.5°											
DIVISIONAL SYMBOLS	4 PLACES ±	3 PLACES ±	PRODUCT CUSTOMER DRAWING									
	2 PLACES ± 0.25	1 PLACE ±	DOCUMENT NUMBER									
	0 PLACES ±		SD-73415-501			DOC TYPE			DOC PART			REVISION
	DRAFT WHERE APPLICABLE MUST REMAIN WITHIN DIMENSIONS		THIRD ANGLE PROJECTION		DRAWING	SERIES	MATERIAL NUMBER		CUSTOMER		SHEET NUMBER	
			C-SIZE		73415	SEE TABLE		GENERAL MARKET		2 OF 3		

DOCUMENT STATUS	P1	RELEASE DATE	2022/08/29 03:27:21
-----------------	----	--------------	---------------------



HANDLING DIRECTION →

LABEL:  
 - ORDER NO.  
 - QUANTITY  
 - PART NUMBER  
 - LOT NO.

80mm EMPTY UNITS MIN.

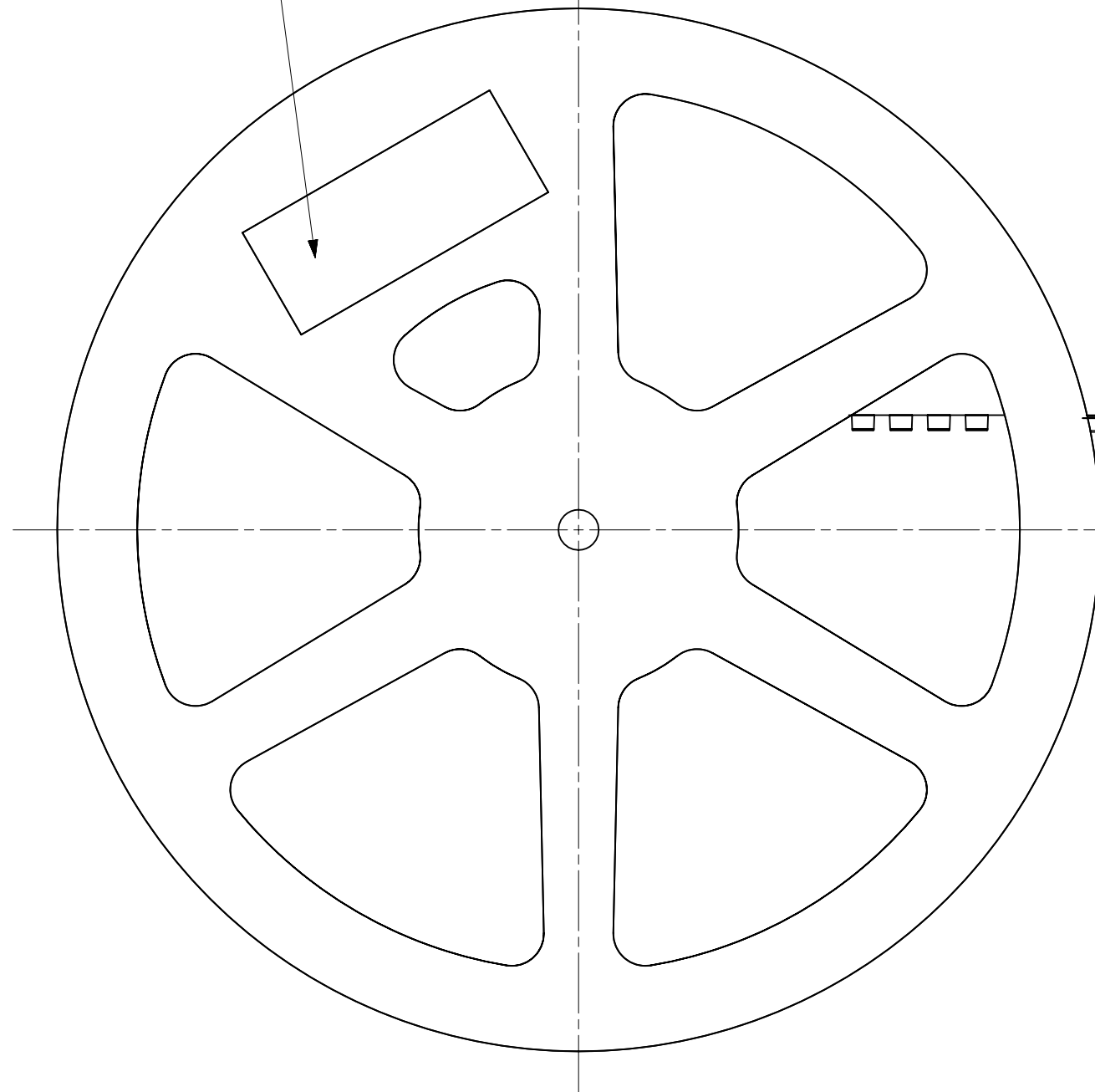
ORDER QUANTITY  
 PACKED WITH 1000  
 COMPONENTS

250mm EMPTY  
 UNITS MIN.

Ø 12.993 REF.  
 [330.02]

.646 REF.  
 [16.40]

Ø 3.937 REF.  
 [100.00]



9.055 MIN.  
 [230.00]

HANDLING DIRECTION →

THIS DRAWING CONTAINS INFORMATION THAT IS PROPRIETARY TO MOLEX ELECTRONIC TECHNOLOGIES, LLC AND SHOULD NOT BE USED WITHOUT WRITTEN PERMISSION											
FUNCTIONAL SYMBOLS	DIMENSION UNITS	SCALE	CURRENT REV DESC: ADD 73415-5011 PER EWR# 15321-C								
$\frac{F}{A} = 0$	INCH/MM	NTS	EC NO: 719080 DRWN: ELIN 2022/08/24 CHK'D: YCHENG 2022/08/29 APPR: YCHENG 2022/08/29 INITIAL REVISION: DRWN: YCHENG 2009/05/08 APPR: GMH 2004/06/10								
$\frac{F}{C} = 0$	GENERAL TOLERANCES (UNLESS SPECIFIED)										
$\frac{F}{P} = 0$	ANGULAR TOL ± 0.5°										
DIVISIONAL SYMBOLS	4 PLACES	±	PRODUCT CUSTOMER DRAWING DOCUMENT NUMBER: SD-73415-501 DOC TYPE: PSD DOC PART: 001 REVISION: A4 MATERIAL NUMBER: SEE TABLE CUSTOMER: GENERAL MARKET SHEET NUMBER: 3 OF 3								
	3 PLACES	±									
	2 PLACES	± 0.25									
	1 PLACE	±									
	0 PLACES	±	DRAFT WHERE APPLICABLE MUST REMAIN WITHIN DIMENSIONS			THIRD ANGLE PROJECTION		DRAWING		SERIES	
			C-SIZE		73415						

DOCUMENT STATUS	P1	RELEASE DATE	2022/08/29	03:27:21
-----------------	----	--------------	------------	----------