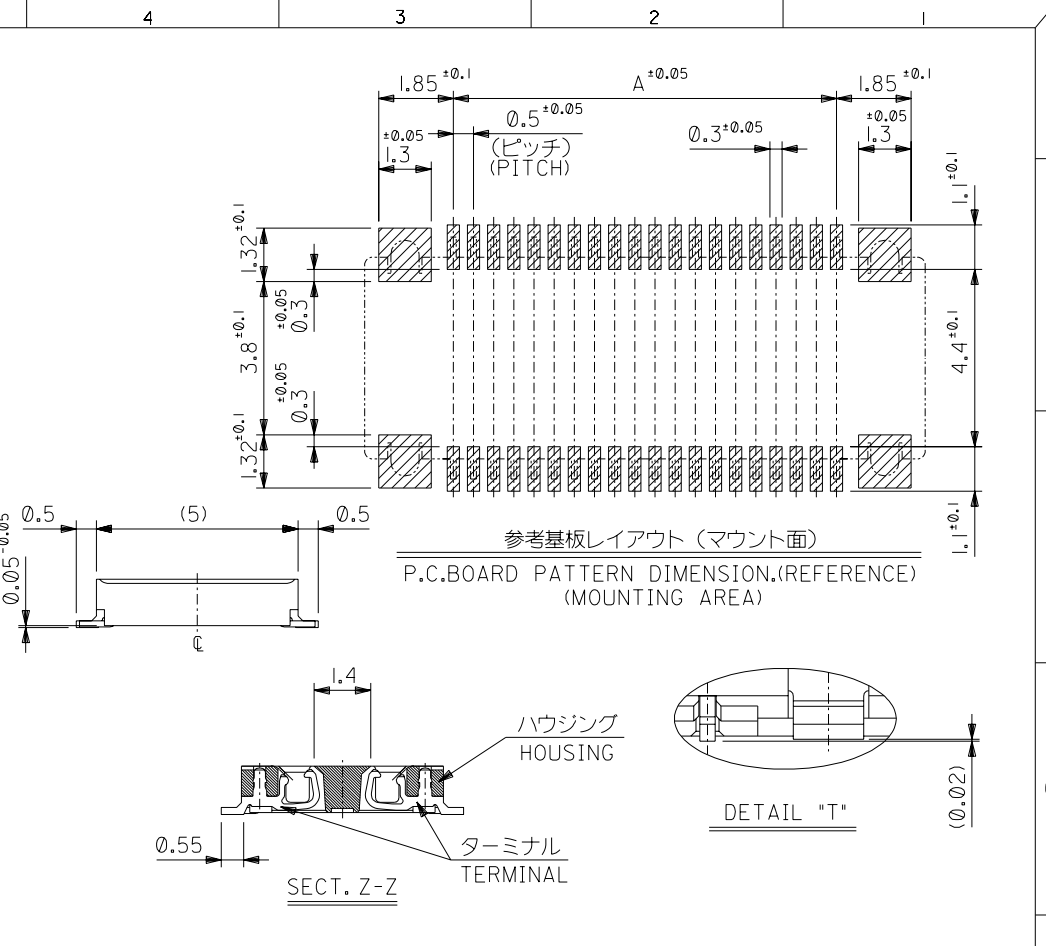
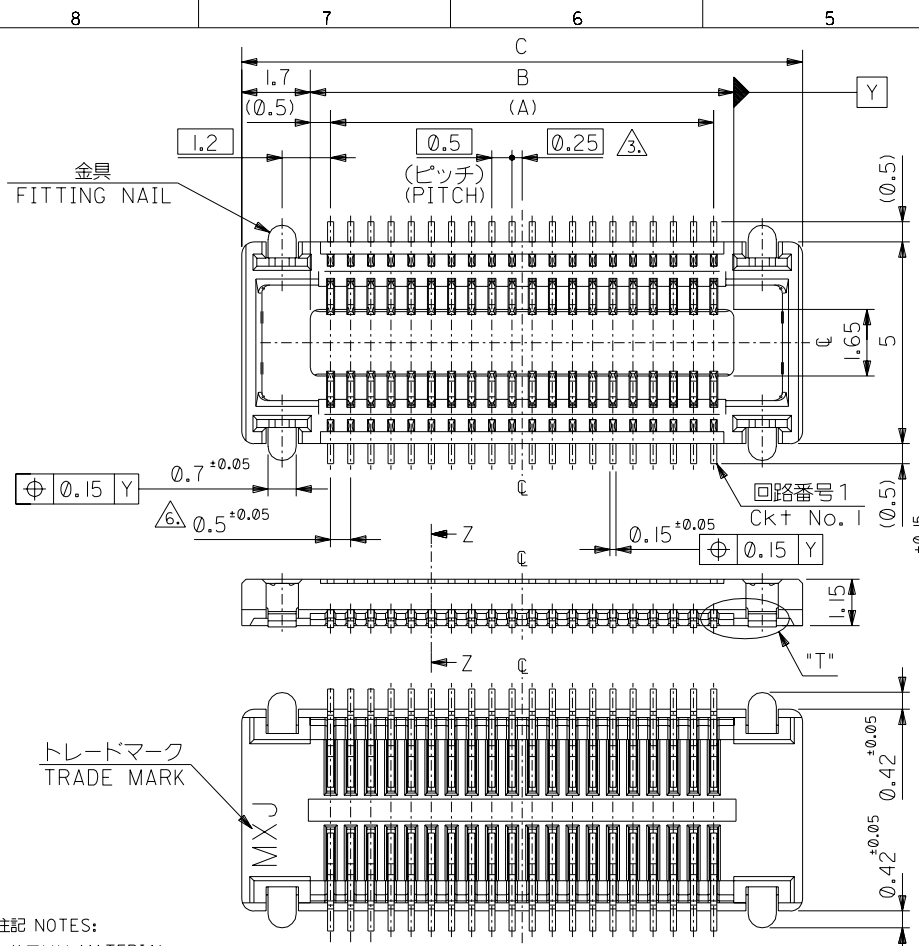


DO NOT SCALE DRAWING



- 注記 NOTES:
- 使用材料 MATERIAL
 ハウジング: ポリフェニレンサルファイド ガラス充填 UL94V-0 (黒)
 HOUSING: POLYPHENYLENE SULFIDE (GLASS FILLED) UL94V-0 (COLOR: BLACK)
 ターミナル: リン青銅 (t=0.15)
 TERMINAL: PHOSPHOR BRONZE (t=0.15)
 金具: リン青銅 (t=0.2)
 FITTING NAIL: PHOSPHOR BRONZE (t=0.2)
 - メッキ仕様 PLATING
 ターミナル TERMINAL
 金メッキ 0.25 マイクロメートル以上 (コンタクト部)
 GOLD 0.25MICROMETER MINIMUM (CONTACT AREA)
 金メッキ 0.4 マイクロメートル以下 (テール部)
 GOLD 0.4MICROMETER MAXIMUM (TAIL AREA)

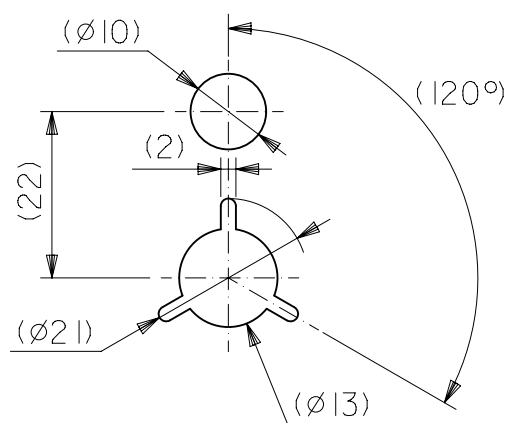
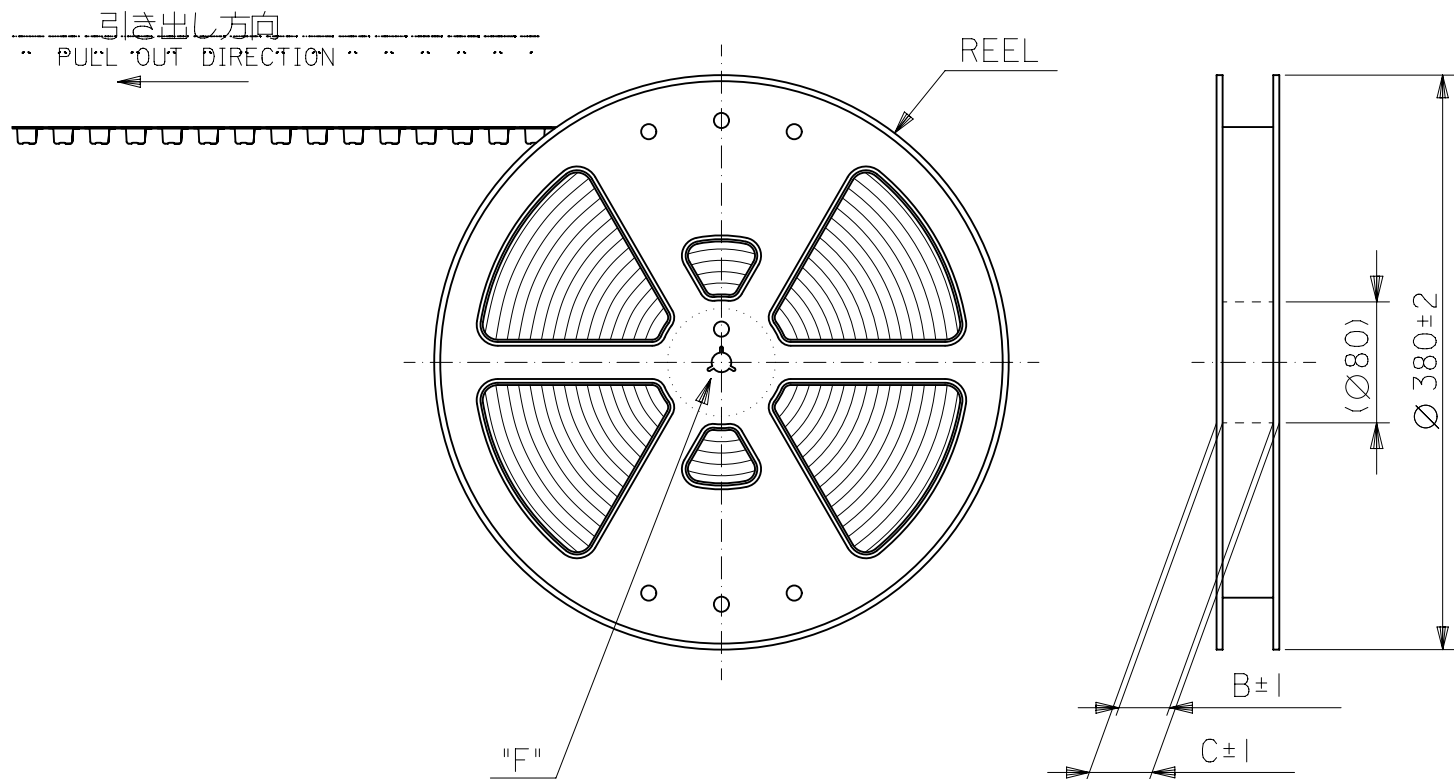
- 下地メッキ: ニッケルメッキ 1.5 マイクロメートル以上
 UNDER PLATING: NICKEL 1.5MICROMETER MINIMUM
- 金具 FITTING NAIL
 鍍メッキ 1.0 マイクロメートル以上
 TIN 1.0MICROMETER MINIMUM
- 下地メッキ: ニッケルメッキ 1.0 マイクロメートル以上
 NICKEL 1.0MICROMETER MINIMUM (全極数/2) = 偶数の場合に適用。
 APPLY FOR (CIRCUIT/2)=EVEN.
- 嵌合相手: 53929 シリーズ
 MATE WITH: 53929 SERIES.

- テール平坦度は、0.08MAX.
 テール及び金具の平坦度は、0.1MAX.
 TAIL COPLANARITY TO BE 0.08MAX.
 TAIL AND FITTING NAIL COPLANARITY TO BE 0.1MAX.
 テール部に適用。
 APPLY TO THE TAIL AREA.
- 本製品は54137-***1の鉛フリー品である。
 THIS PRODUCT IS LEAD FREE OF 54137-***1.

28.9	25.5	24.5	54137-1009	100
26.4	23	22	54137-0909	90
23.9	20.5	19.5	54137-0809	80
21.4	18	17	54137-0709	70
C	B	A	MATERIAL NO.	極数 CIRCUIT

EC NO.	DRWN:	CH'K:	APPR:	EC NO.	DRWN:	CH'K:	APPR:	EC NO.	DRWN:	CH'K:	APPR:	EC NO.	DRWN:	CH'K:	APPR:	REV
RELEASED																
EC NO. J2004-2630																
DRWN: Y.WADA '04/02/24																
CH'K: M.SASAO '04/02/24																
APPR: M.SASAO '04/02/24																
MATERIAL 材料																
FINISH 仕上げ																
WIRE RANGE 適用電線範囲																
INS. RANGE 被覆外径																

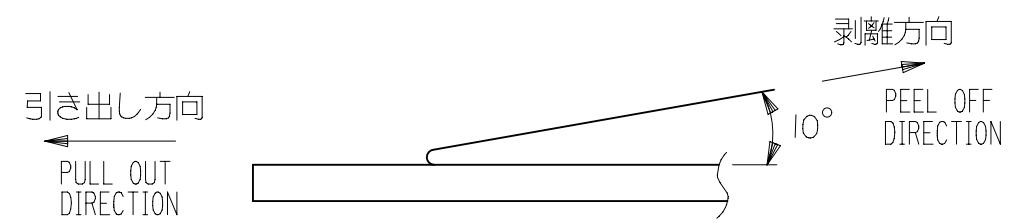
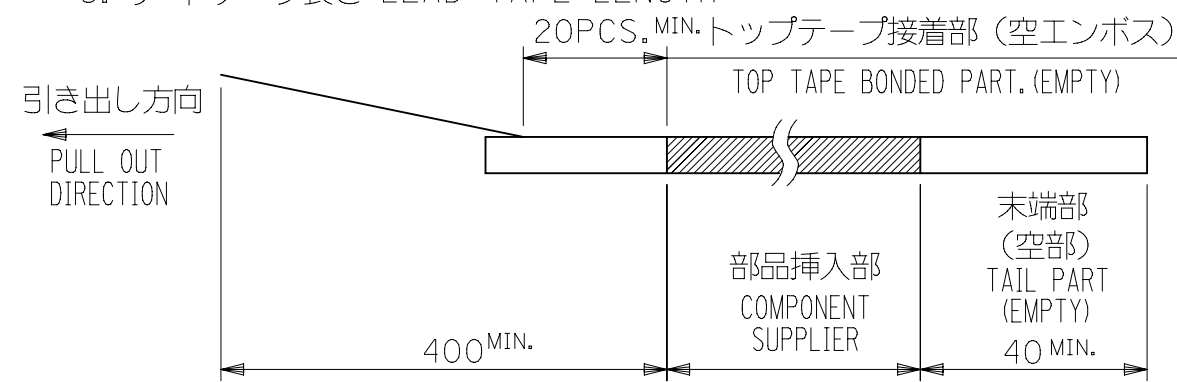
GENERAL TOLERANCES: (UNLESS SPECIFIED) 一般公差	SCALE	DESIGN UNITS	MODEL NO.	54137-***9	DIMENSIONS:	SHT	REV
10 UNDER 未満	—	<input checked="" type="checkbox"/> mm <input type="checkbox"/> INCH	THIRD ANGLE PROJECTION	<input type="checkbox"/> mm <input type="checkbox"/> INCH	<input type="checkbox"/> mm ONLY		
10 OVER 以上	±0.2						
30 UNDER 未満	±0.25						
30 OVER 以上	±0.3						
ANGLE 角度	±3°						
DRAWN BY & DATE Y.WADA '04/02/24		TITLE: 0.5 B-To-B Conn Rec Assy (Hg+=1.5mm) WITH NAIL -LEAD FREE-		MATERIAL NO. SEE CHART			
CHECKED BY & DATE M.SASAO '04/02/24		APPROVED BY & DATE M.SASAO '04/02/24		MATERIAL NO. SEE CHART			
CAD FILENAME SD-54137-001.S01		DRAWING NO. SD-54137-001		SHEET NO. 1 OF 1			
THIS DRAWING CONTAINS INFORMATION THAT IS PROPRIETARY TO MOLEX INCORPORATED AND SHOULD NOT BE USED WITHOUT WRITTEN PERMISSION.							SIZE B



DETAIL "F"

注記 NOTES.

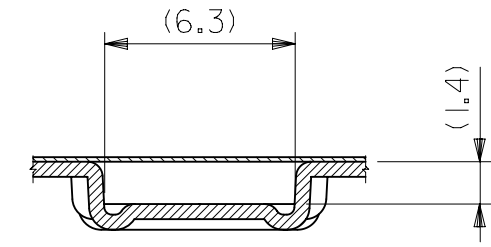
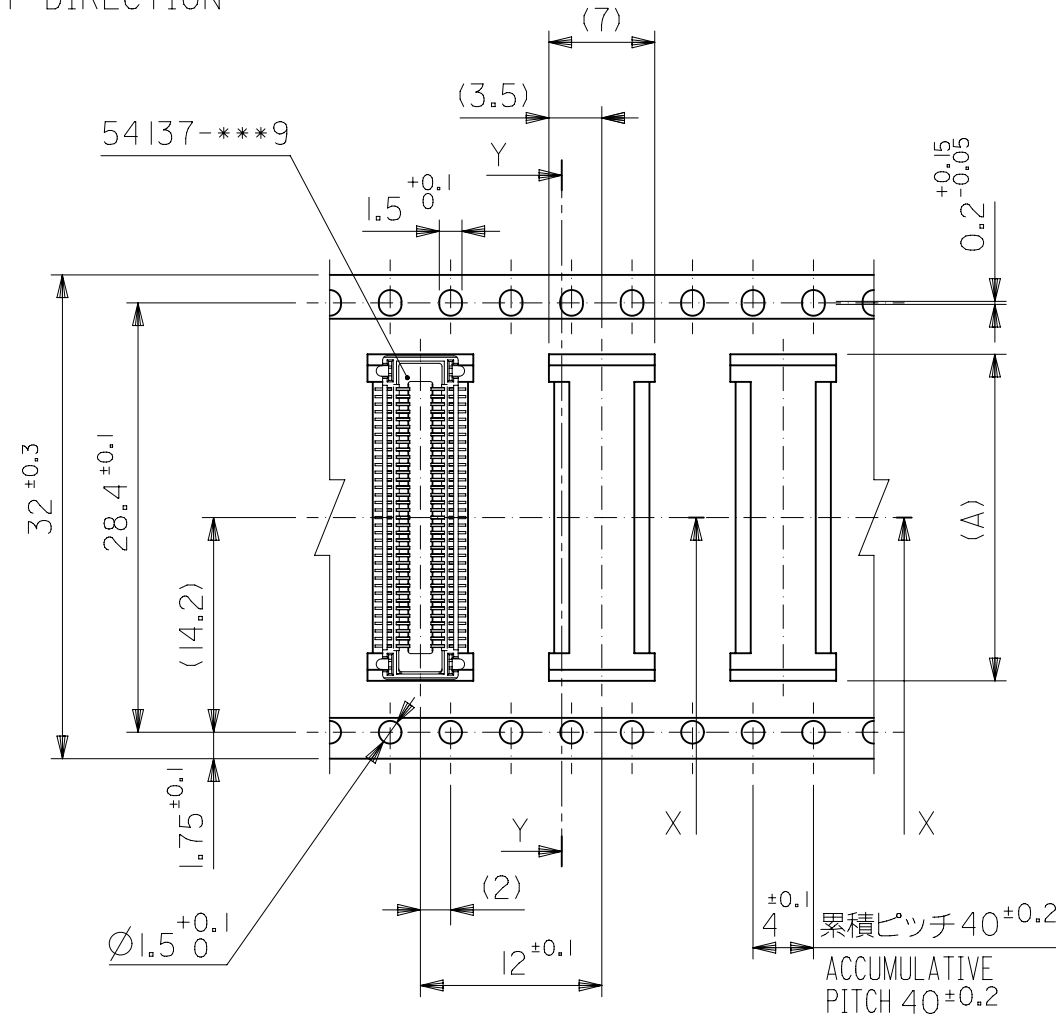
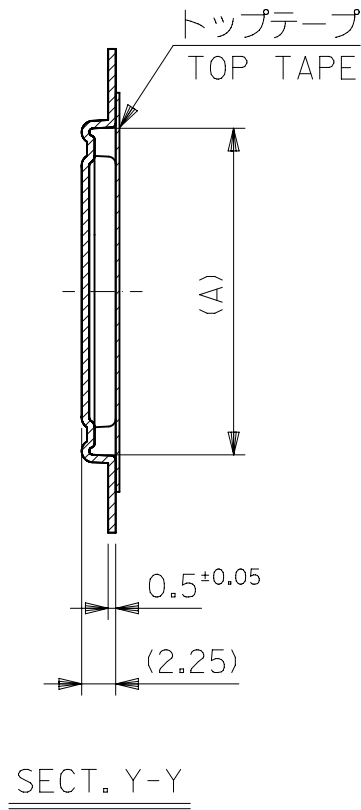
- 製品詳細寸法については図面 SD-54137-001 を参照下さい。
RE DETAILED DIMENSION, SEE SD-54137-001
- 梱包数量：3000個/リール
NUMBER OF CONNECTORS : 3000PCS/REEL
- リードテープ長さ LEAD TAPE LENGTH
20PCS. MIN. トップテープ接着部 (空エンボス)
TOP TAPE BONDED PART. (EMPTY)
部品挿入部
COMPONENT SUPPLIER
末端部 (空部)
TAIL PART (EMPTY)
40 MIN.
- トップテープの剥離強度：0.1N~1.3N {10gf~130gf}
(剥離方向は下図参照)
尚、本規格値は出荷時に適用。(但し、輸送時に剥離が発生しないこと。)
PEELING OFF FORCE OF TOP TAPE : 0.1N~1.3N {10gf~130gf}
(PEELING DIRECTION AS SHOWN IN FOLLOWING FIG.)
THIS REQUIREMENT SHOULD BE APPLIED AT SHIPMENT.
PEEL OFF SHOULD NOT BE ALLOWED , DURING TRANSPORTATION.



- 材料 (MATERIAL)
キャリアテープ (CARRIER TAPE) : ポリプロピレン (POLYPROPYLENE)
トップテープ (TOPTAPE) : PET , PE , PEF
リール (REEL) : ポリスチレン (PS) <リサイクル材を含む>
POLYSTYRENE (PS) <RECYCLE MATERIAL CONTAINED>
- 本製品は54137-***8の鉛フリー品である。
THIS PRODUCT IS LEAD FREE OF 54137-***8.

MATERIAL 材料	注記参照 SEE NOTES	GENERAL TOLERANCES: (UNLESS SPECIFIED) 一般公差		THIS DRAWING CONTAINS INFORMATION THAT IS PROPRIETARY TO MOLEX ELECTRONIC TECHNOLOGIES, LLC AND SHOULD NOT BE USED WITHOUT WRITTEN PERMISSION				
		10 UNDER 未満	±0.2	DIMENSION UNITS	SCALE	CURRENT REV DESC:		
		10 OVER 以上	30 UNDER 未満	±0.25	mm	NTS	EC NO: 624461	
		30 OVER 以上	±0.3	GENERAL TOLERANCES (UNLESS SPECIFIED)		DRWN: AKUMAR19 2019/01/30		
FINISH 仕上げ	#	ANGLE 角度	±3°	4 PLACES ±	MM	INCH	CHK'D: GGA 2019/10/17	
WIRE RANGE 適用電線範囲	#			3 PLACES ±			APPR: GGA 2019/10/17	
INS. RANGE 被覆外径	#			2 PLACES ±			INITIAL REVISION:	
				1 PLACE ±			DRWN: Y.WADA 2004/02/24	
				0 PLACES ±			APPR: M.SASAO 2004/02/24	
				ANGULAR TOL ±			PRODUCT CUSTOMER DRAWING	
				DRAFT WHERE APPLICABLE MUST REMAIN WITHIN DIMENSIONS	THIRD ANGLE PROJECTION	DRAWING	SERIES	
					⊕	B-SIZE	54137	
							MATERIAL NUMBER	
							SEE TABLE	
							CUSTOMER	
							GENERAL MARKET	
							SHEET NUMBER	
							1 OF 3	

引き出し方向
PULL OUT DIRECTION



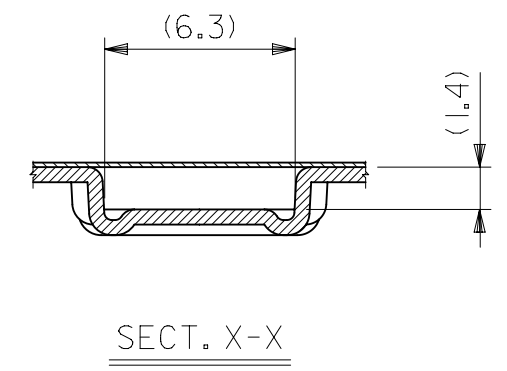
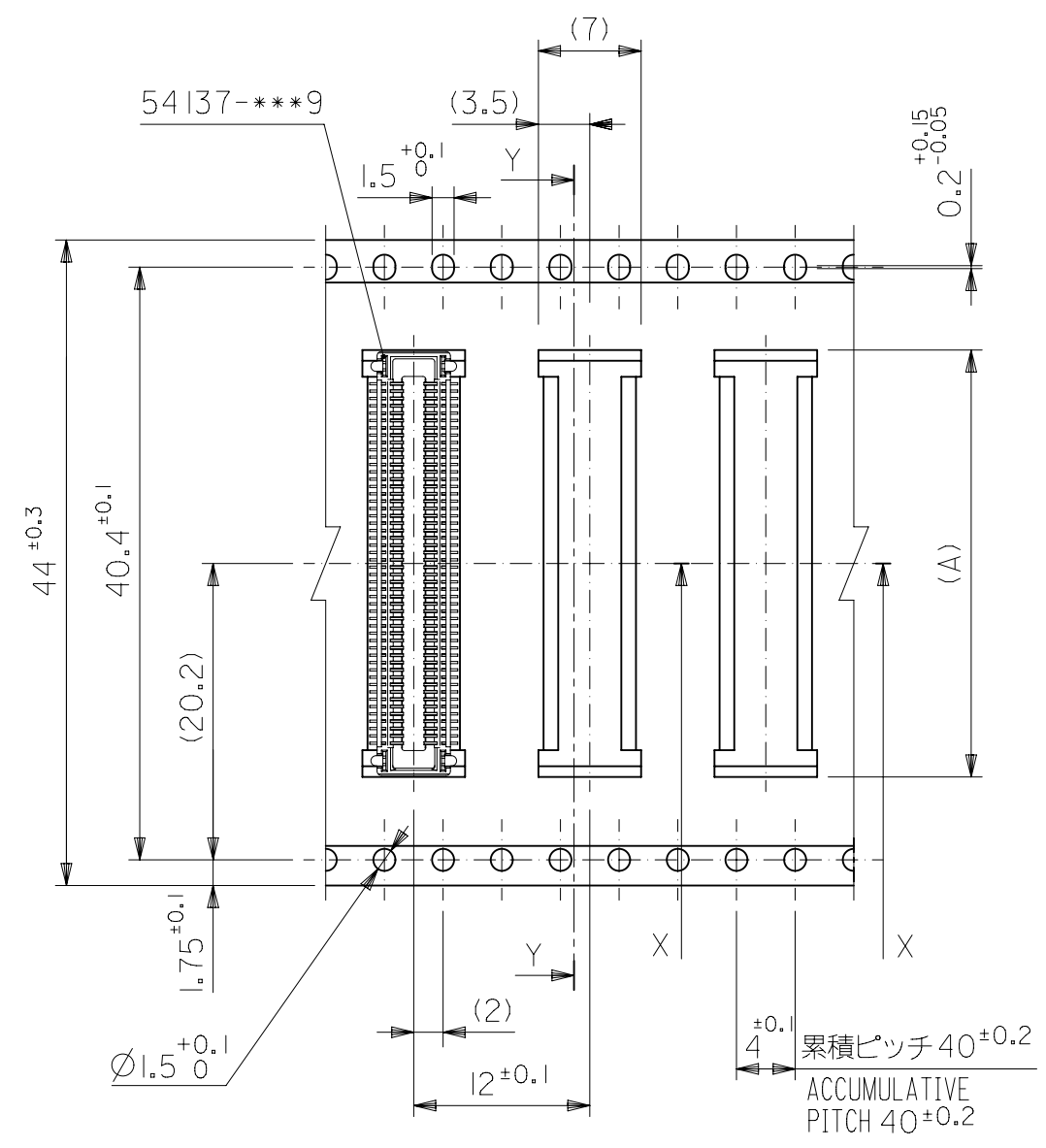
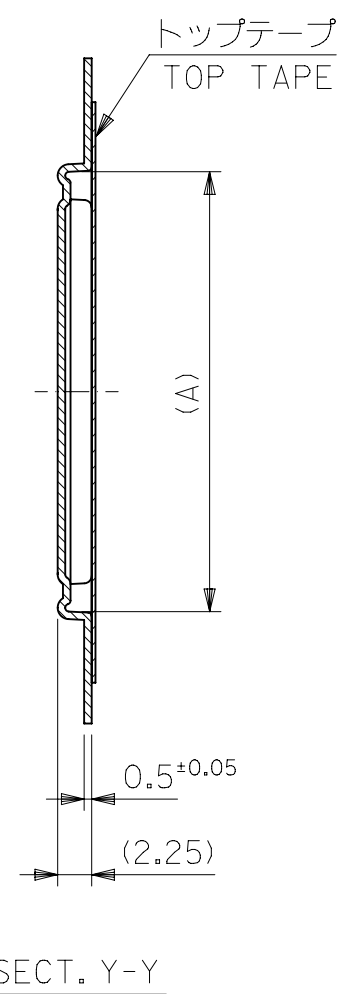
32mm幅キャリアテープ
32mm WIDTH CARRIER TAPE

32	37.4	33.4	21.6	54137-0778	70
キャリアテープ幅 CARRIER TAPE WIDTH	C	B	(A)	MATERIAL NO.	極数 CK+

MATERIAL 材料	注記参照 SEE SHEET 1 OF 3	GENERAL TOLERANCES: (UNLESS SPECIFIED) 一般公差	10 UNDER 未満	±0.2
FINISH 仕上げ	#	10 OVER 以上	30 UNDER 未満	±0.25
WIRE RANGE 適用電線範囲	#	30 OVER 以上		±0.3
INS. RANGE 被覆外径	#	ANGLE 角度		±3°

THIS DRAWING CONTAINS INFORMATION THAT IS PROPRIETARY TO MOLEX ELECTRONIC TECHNOLOGIES, LLC AND SHOULD NOT BE USED WITHOUT WRITTEN PERMISSION		CURRENT REV DESC:		molex	
DIMENSION UNITS: mm NTS		SCALE: NTS			
GENERAL TOLERANCES (UNLESS SPECIFIED)		EC NO: 624461		0.5 BTB CONN REC ASSY WITH NAIL HGT=1.5 EMBSTP PKG -LEAD FREE-	
4 PLACES ±		DRWN: AKUMAR19 2019/01/30		PRODUCT CUSTOMER DRAWING	
3 PLACES ±		CHK'D: GGA 2019/10/17		DOCUMENT NUMBER	
2 PLACES ±		APPR: GGA 2019/10/17		SD-54137-002	
1 PLACE ±		INITIAL REVISION:		DOC TYPE DOC PART REVISION	
0 PLACES ±		DRWN: Y.WADA 2004/02/24		PSD 001 A	
ANGULAR TOL ± °		APPR: M.SASAO 2004/02/24		MATERIAL NUMBER CUSTOMER SHEET NUMBER	
DRAFT WHERE APPLICABLE MUST REMAIN WITHIN DIMENSIONS		THIRD ANGLE PROJECTION		SEE TABLE GENERAL MARKET 2 OF 3	

引き出し方向
PULL OUT DIRECTION



44mm幅キャリアテープ
44mm WIDTH CARRIER TAPE

44	49.4	45.4	29.1	54137-1078	100
キャリアテープ幅 CARRIER TAPE WIDTH	C	B	26.6	54137-0978	90
			(A)	MATERIAL NO.	極数 Ck+

MATERIAL 材料	注記参照 SEE SHEET 1 OF 3	GENERAL TOLERANCES: (UNLESS SPECIFIED) 一般公差
FINISH 仕上げ	#	10 UNDER 未満 ±0.2 10 OVER 以上 30 UNDER 未満 ±0.25 30 OVER 以上 ±0.3
WIRE RANGE 適用電線範囲	#	ANGLE 角度 ±3°
INS. RANGE 被覆外径	#	

THIS DRAWING CONTAINS INFORMATION THAT IS PROPRIETARY TO MOLEX ELECTRONIC TECHNOLOGIES, LLC AND SHOULD NOT BE USED WITHOUT WRITTEN PERMISSION	
DIMENSION UNITS	SCALE
mm	NTS
GENERAL TOLERANCES (UNLESS SPECIFIED)	
4 PLACES ±	±
3 PLACES ±	±
2 PLACES ±	±
1 PLACE ±	±
0 PLACES ±	±
ANGULAR TOL ± °	± °
DRAFT WHERE APPLICABLE MUST REMAIN WITHIN DIMENSIONS	

CURRENT REV DESC:		
EC NO: 624461	DRWN: AKUMAR19	2019/01/30
CHK'D: GGA	APPR: GGA	2019/10/17
INITIAL REVISION:		
DRWN: Y.WADA	APPR: M.SASAO	2004/02/24
2019/10/17	2004/02/24	2004/02/24
THIRD ANGLE PROJECTION	DRAWING	SERIES
⊕	B-SIZE	54137

molex		
0.5 BTB CONN REC ASSY WITH NAIL HGT=1.5 EMBSTP PKG -LEAD FREE-		
PRODUCT CUSTOMER DRAWING		
DOCUMENT NUMBER	DOC TYPE	DOC PART
SD-54137-002	PSD	001
REVISION	SHEET NUMBER	
A	3 OF 3	