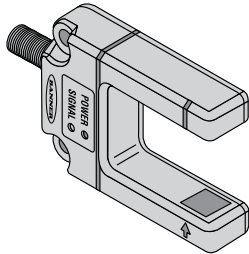


# SLO Series Slot Sensor



## Datasheet

### Self-Contained Opposed-Mode Sensor Pair



- An easy-to-use self-contained opposed-mode sensor pair in a rugged U-shaped housing
- Easy and economical to mount
- Molded-in beam guides simplify mounting and beam placement
- 30 mm slot width for a wide variety of sensing applications
- Applications include hole detection, gear tooth detection, edge guiding and counting of opaque materials
- 10 V dc to 30 V dc operation
- Bipolar PNP/NPN outputs
- Choose 1 millisecond or 300 microsecond response
- 2 mm effective beam
- Dark or light operate
- Choose integral, unterminated cable or QD models



#### WARNING: Not To Be Used for Personnel Protection

Never use this device as a sensing device for personnel protection. Doing so could lead to serious injury or death. This device does not include the self-checking redundant circuitry necessary to allow its use in personnel safety applications. A sensor failure or malfunction can cause either an energized or de-energized sensor output condition.

## Models

Models	Sensing Beam	Slot Width	Cable <sup>1</sup>	Output	Response	Repeatability
SLO30VB6	Infrared, 890 nm	30 mm (1.2 in)	2 m (6.5ft) 5-wire cable	Bipolar NPN/PNP	1 ms	250 $\mu$ s
SLO30VB6Q			5-Pin Euro-style QD			
SLO30VB6Y			2 m (6.5ft) 5-wire cable		300 $\mu$ s	75 $\mu$ s
SLO30VB6YQ			5-Pin Euro-style QD			

## Overview

The SLO Series Slot Sensor (sometimes called a "Fork Sensor") comprises an opposed-mode emitter and its receiver inside a single convenient housing.

Opposed-mode sensing is very reliable, and the single self-contained housing provides easy installation, with no sensor alignment required. In addition, the molded-in arrow on the emitter portion of the housing and the slotted design on the receiver portion of the housing show at a glance the position of the beam, simplifying installation placement.

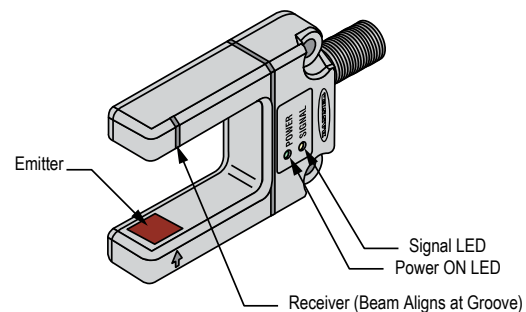


Figure 1. Features

<sup>1</sup> To order the 9 m (30 ft) PVC cable model, add the suffix "W/30" to the cabled model number. For example, SLO30VB6 W/30. Models with a quick disconnect require a mating cordset.



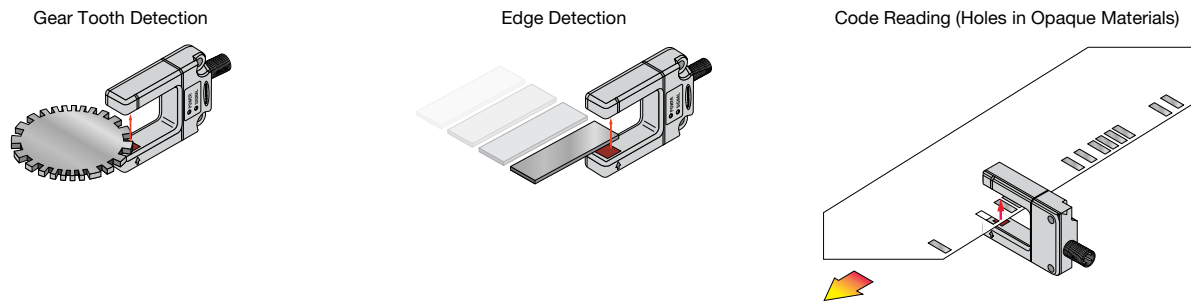


Figure 2. Typical Applications

## LED Indicators

The Slot Sensor features two LED Indicators: Power (green) and Signal (amber). They indicate the following:

Green ON: Power ON

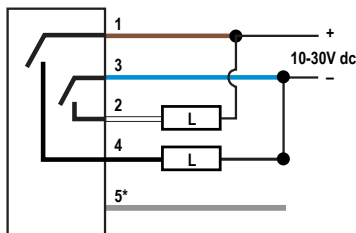
Amber ON: Sensor sees light

Amber flashing: Excess gain is marginal (1 to 1.5x) in light condition

## Select Light Operate/Dark Operate

Connect the gray wire to +V (10 V dc to 30 V dc) for Dark Operate; and to dc common (or open) for Light Operate. See wiring diagrams.

## Wiring Diagrams



### Wiring Key

1. Brown
2. White
3. Blue
4. Black
5. Gray\*

\*For Dark operate, connect gray wire to + (brown). For Light operate, connect gray wire to - (blue).



**Note:** Quick disconnect (QD) wiring diagrams are functionally identical.

## Specifications

### Supply Voltage and Current

10 to 30V dc, 30 mA

### Supply Protection Circuitry

Protected against reverse polarity and transient voltages

### Output Configuration

Bipolar: PNP and NPN

### Output Rating

150 mA each output

### Output Protection Circuitry

Protected against output short-circuit and false pulse on power up

### Output Response Time

1 millisecond or 300 microseconds, depending on model

### Repeatability

250 microseconds or 75 microseconds, depending on model

### Operating Conditions

**Operating Temperature:** -40 °C to +70 °C (-40 °F to +158 °F)  
90% at +50 °C maximum relative humidity (non-condensing)

### Slot Opening

30 mm (1.18 in) wide × 45 mm (1.8 in) deep; beam is 10 mm (0.4 in) from outer edge

### Adjustments

None

### Indicators

Green: Power on/off indicator  
Amber: Signal condition indicator

### Construction

Housing: ABS and polycarbonate  
Lenses: acrylic

### Connections

2 m (6.5 ft) or 9 m (30 ft) 5-conductor PVC-jacketed attached cable or 5-pin Euro-style quick-disconnect

### Environmental Rating

IEC IP67; NEMA 6

### Required Overcurrent Protection



**WARNING:** Electrical connections must be made by qualified personnel in accordance with local and national electrical codes and regulations.

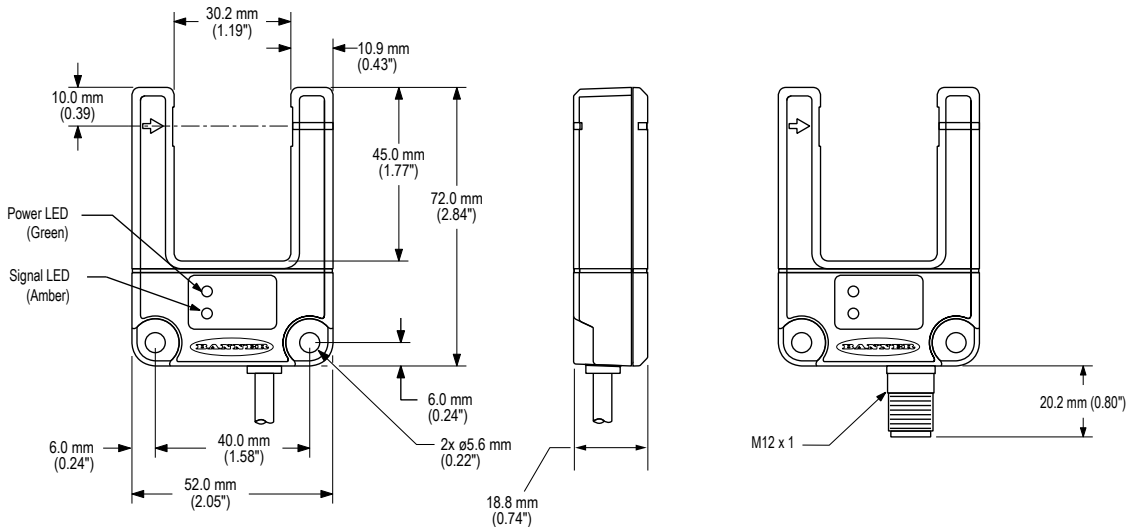
Overcurrent protection is required to be provided by end product application per the supplied table.  
Overcurrent protection may be provided with external fusing or via Current Limiting, Class 2 Power Supply.  
Supply wiring leads < 24 AWG shall not be spliced.  
For additional product support, go to [www.bannerengineering.com](http://www.bannerengineering.com).

Supply Wiring (AWG)	Required Overcurrent Protection (Amps)
20	5.0
22	3.0
24	2.0
26	1.0
28	0.8
30	0.5

### Certifications



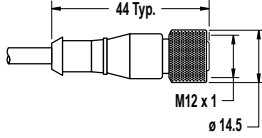
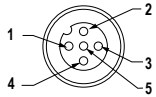
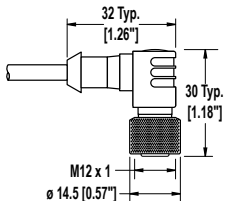
## Dimensions



All measurements are listed in millimeters [inches], unless noted otherwise.

## Accessories

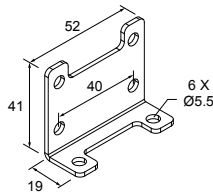
### Cordsets

5-Pin Threaded M12/Euro-Style Cordsets—Single Ended				
Model	Length	Style	Dimensions	Pinout (Female)
MQDC1-501.5	0.50 m (1.5 ft)	Straight		 <p>1 = Brown 2 = White 3 = Blue 4 = Black 5 = Gray</p>
MQDC1-506	1.83 m (6 ft)			
MQDC1-515	4.57 m (15 ft)			
MQDC1-530	9.14 m (30 ft)			
MQDC1-506RA	1.83 m (6 ft)	Right-Angle		
MQDC1-515RA	4.57 m (15 ft)			
MQDC1-530RA	9.14 m (30 ft)			

### Brackets

#### SMBSL

- Angled bracket
- 304 stainless steel
- Hardware included



## Banner Engineering Corp. Limited Warranty

Banner Engineering Corp. warrants its products to be free from defects in material and workmanship for one year following the date of shipment. Banner Engineering Corp. will repair or replace, free of charge, any product of its manufacture which, at the time it is returned to the factory, is found to have been defective during the warranty period. This warranty does not cover damage or liability for misuse, abuse, or the improper application or installation of the Banner product.

**THIS LIMITED WARRANTY IS EXCLUSIVE AND IN LIEU OF ALL OTHER WARRANTIES WHETHER EXPRESS OR IMPLIED (INCLUDING, WITHOUT LIMITATION, ANY WARRANTY OF MERCHANTABILITY OR FITNESS FOR A PARTICULAR PURPOSE), AND WHETHER ARISING UNDER COURSE OF PERFORMANCE, COURSE OF DEALING OR TRADE USAGE.**

This Warranty is exclusive and limited to repair or, at the discretion of Banner Engineering Corp., replacement. **IN NO EVENT SHALL BANNER ENGINEERING CORP. BE LIABLE TO BUYER OR ANY OTHER PERSON OR ENTITY FOR ANY EXTRA COSTS, EXPENSES, LOSSES, LOSS OF PROFITS, OR ANY INCIDENTAL, CONSEQUENTIAL OR SPECIAL DAMAGES RESULTING FROM ANY PRODUCT DEFECT OR FROM THE USE OR INABILITY TO USE THE PRODUCT, WHETHER ARISING IN CONTRACT OR WARRANTY, STATUTE, TORT, STRICT LIABILITY, NEGLIGENCE, OR OTHERWISE.**

Banner Engineering Corp. reserves the right to change, modify or improve the design of the product without assuming any obligations or liabilities relating to any product previously manufactured by Banner Engineering Corp. Any misuse, abuse, or improper application or installation of this product or use of the product for personal protection applications when the product is identified as not intended for such purposes will void the product warranty. Any modifications to this product without prior express approval by Banner Engineering Corp will void the product warranties. All specifications published in this document are subject to change; Banner reserves the right to modify product specifications or update documentation at any time. Specifications and product information in English supersede that which is provided in any other language. For the most recent version of any documentation, refer to: [www.bannerengineering.com](http://www.bannerengineering.com).