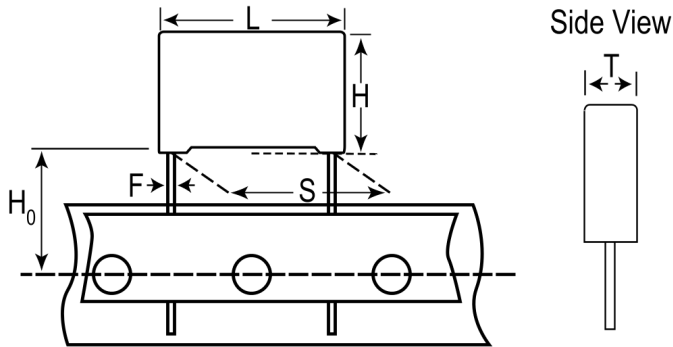


R60DI4680CK30K

Aliases (60DI4680CK30K)

R60, Film, Metallized Polyester, Automotive Grade, 6.8 uF, 10%, 63 VDC, 85°C, Lead Spacing = 15mm



Click [here](#) for the 3D model.

Dimensions

L	18mm +0.5mm
H	16mm +0.1mm
T	10mm +0.2mm
S	15mm +/-0.4mm
H0	18.5mm +/-0.5mm
F	0.8mm +/-0.05mm

Packaging Specifications

Packaging	T&R, 500mm
Packaging Quantity	600

General Information

Series	R60
Dielectric	Metallized Polyester
Style	Radial
Features	Automotive Grade, DC Multipurpose Applications
RoHS	Yes
Lead	Wire Leads
Qualifications	AEC-Q200
AEC-Q200	Yes
Component Weight	4.833 g
Miscellaneous	Upper Operating Temperature Of 125C Is Allowed For A Maximum Operating Time Of 1,000 Hours. Above 85C, DC And AC Voltage Derating Is 1.25%/C.

Specifications

Capacitance	6.8 uF
Capacitance Tolerance	10%
Voltage AC	40 VAC
Voltage DC	63 VDC
Temperature Range	-55/+105°C
Rated Temperature	85°C
Dissipation Factor	1% 1kHz
Insulation Resistance	183.8 MOhms
Max dV/dt	2.5 V/us
Inductance	10 nH