

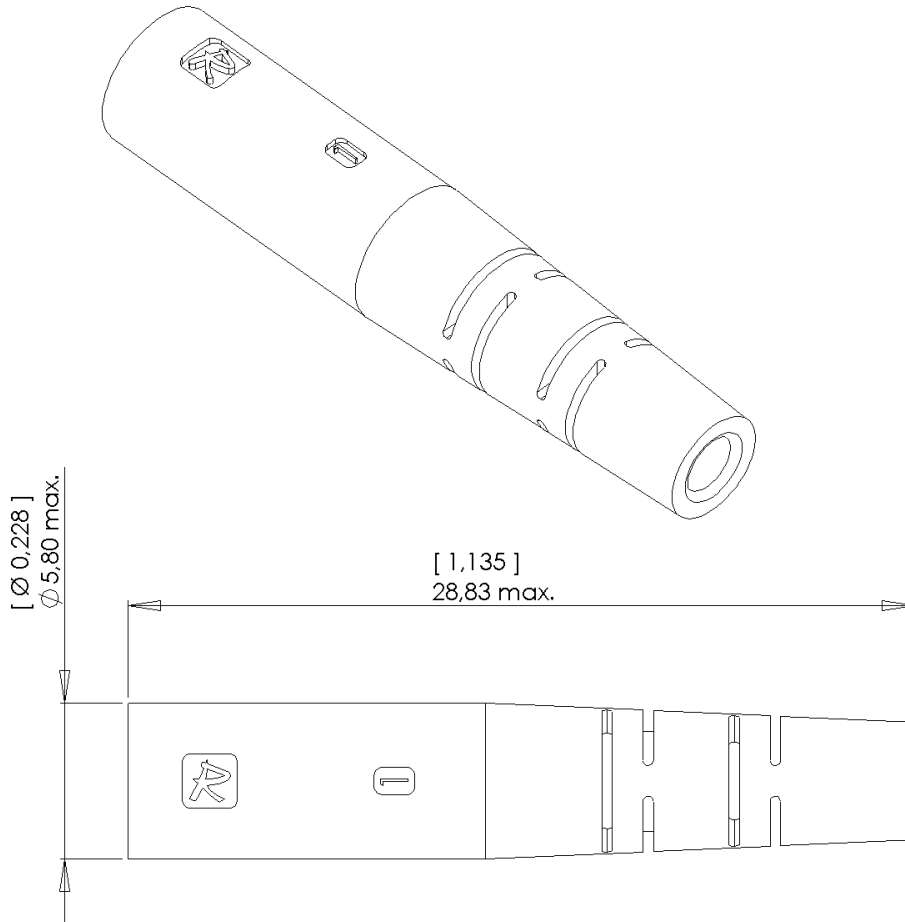
BOOT FOR Ø 2 TO 2,2 MM CABLE

Packaging  
100

Series  
LC

Issue  
05 03 02

Page  
1 / 1



Original dimensions in mm [inch]

**GENERAL**

- Compatible with LC connectors
- Suitable for use with cables sizes Ø 2 mm to Ø 2,2 mm
- Compatible with Bellcore GR 326 specification (V0, LOI 28 % mini.)
- Color : **White**