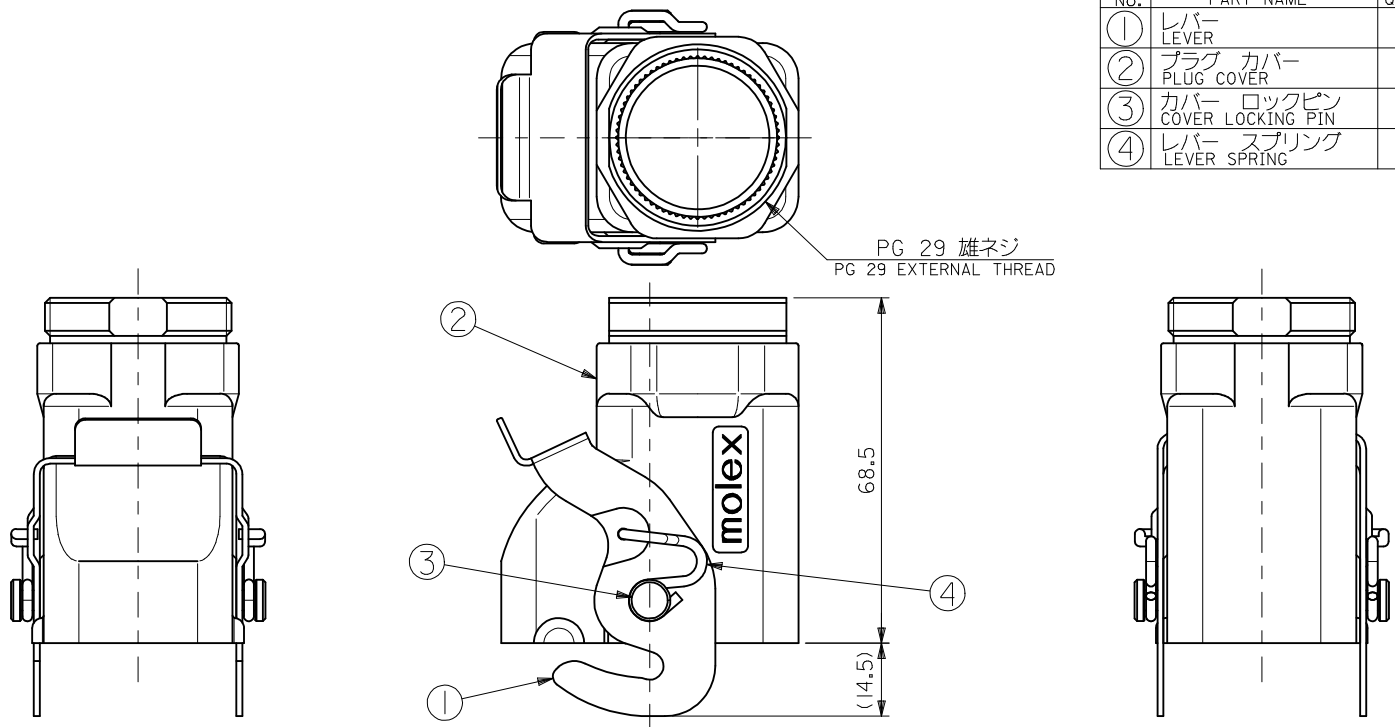
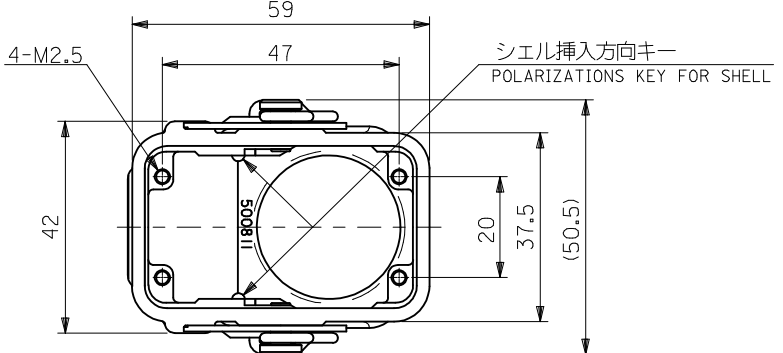


10 9 8 7 6 5 4 3 2 1

部番 No.	部品名 PART NAME	数量 QTY.	材質 MATERIAL	記事 ARTICLE
①	レバー LEVER	1	鋼 STEEL	塗装処理 PAINTING
②	プラグ カバー PLUG COVER	1	アルミニウム合金 ALUMINIUM ALLOY	—#—
③	カバー ロックピン COVER LOCKING PIN	2	ステンレス STEEL	—#—
④	レバー スプリング LEVER SPRING	2	ステンレス STEEL	—#—



- 注記 :  
NOTES.
- 適用プラグシェルアッセンブリ  
APPLICABLE PLUG SHELL ASS'Y  
1.) TYPE A : 500810-0000  
2.) TYPE B : 500810-0010
  - 適用エンドベルキャップセット  
APPLICABLE END BELL CAP SET  
58550-\*\*\*\*



500811-0010	500811-****
MATERIAL NO.	MODEL NO.

REVISED EC NO: J2009-0816 DRWN: YMAEDA CHKD: NUKITA APPR: NUKITA 2008/11/05 2008/12/19 2008/12/19	GENERAL TOLERANCES (UNLESS SPECIFIED)		DIMENSION STYLE MM ONLY		SCALE ---	DESIGN UNITS METRIC	THIRD ANGLE PROJECTION
	10 UNDER	±0.2	DRAWN BY SAKIYAMA	DATE 2003/06/25	TITLE MINI ROBOT CONN. 40P STRAIGHT PLUG COVER ASS'Y		
	10 OVER 30 UNDER	±0.25	CHECKED BY JMIYAZAWA	DATE 2003/07/02	MOLEX INCORPORATED		
	30 OVER	±0.3	APPROVED BY YITO	DATE 2003/07/02	MATERIAL NO. SEE CHART	DOCUMENT NO. SD-500811-001	SHEET NO. 1 OF 2
ANGULAR ±3 °		DRAFT WHERE APPLICABLE MUST REMAIN WITHIN DIMENSIONS		THIS DRAWING CONTAINS INFORMATION THAT IS PROPRIETARY TO MOLEX INCORPORATED AND SHOULD NOT BE USED WITHOUT WRITTEN PERMISSION			

注記:  
NOTES:

関連図面

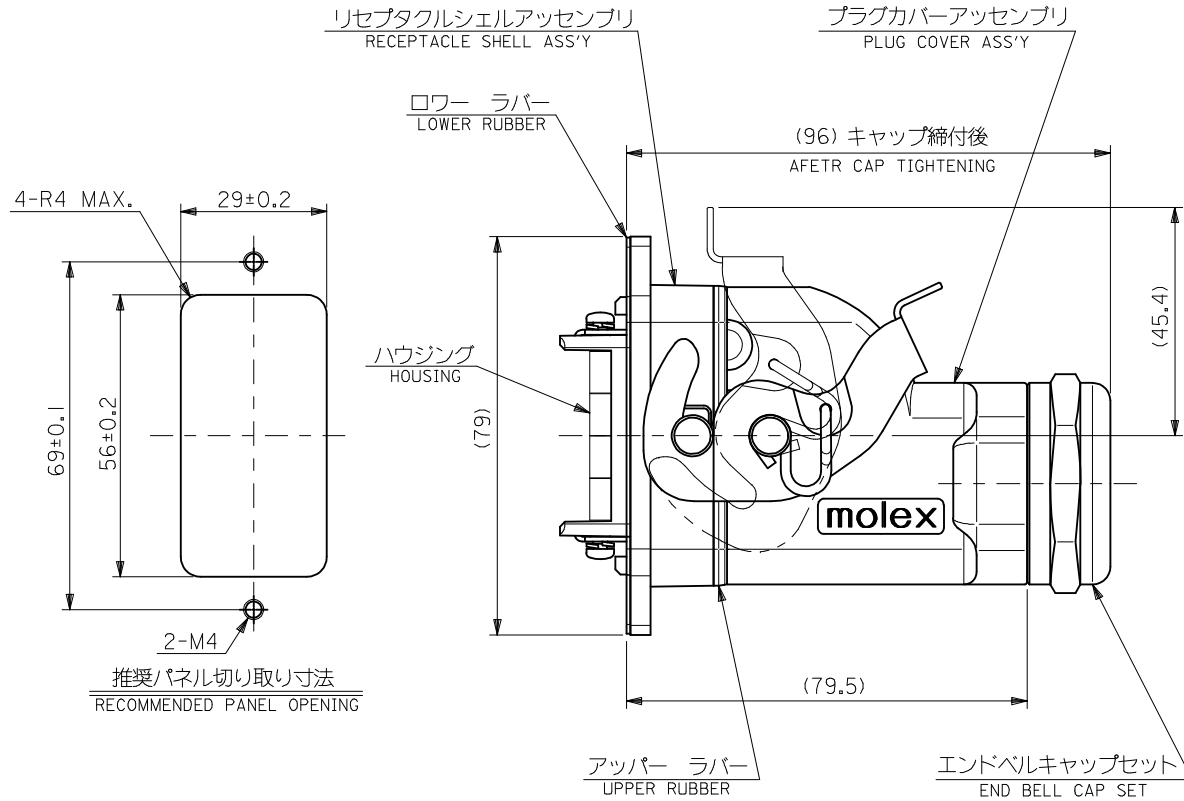
RELATION DRAWING

- リセプタクルシェルアッセンブリ : SD-500809-001  
RECEPTACLE SHELL ASS'Y
- プラグシェルアッセンブリ : SD-500810-001  
PLUG SHELL ASS'Y
- カバーアッセンブリ : SD-500811-001  
PLUG COVER ASS'Y
- エンドベルキャップセット : SD-58550-\*\*\*\*  
END BELL CAP SET
- ピンハウジング : SD-500812-001  
PIN HOUSING
- ソケットハウジング : SD-500813-001  
SOCKET HOUSING
- ターミナル (ピン) : SD-56118/56119-001  
TERMINAL (PIN)
- ターミナル (ソケット) : SD-56120/56121-002  
TERMINAL (SOCKET)

関連規格

RELATION NORMATIVE

- VDE0110 250V 汚染度 III  
過電圧カテゴリー II に適合  
APPLICABLE 250V POLLUTION DEGREE III  
AND OVER VOLTAGE CATEGORY II
- 保護等級 IP65  
DEGREE OF PROTECTION



REVISED EC NO: J2009-0816 DRWN: YMAEDA 2008/11/05 CHKD: NUKITA 2008/12/19 APPR: NUKITA 2008/12/19	GENERAL TOLERANCES (UNLESS SPECIFIED)		DIMENSION STYLE MM ONLY	SCALE ---	DESIGN UNITS METRIC	THIRD ANGLE PROJECTION	
	10 UNDER	±0.2	DRAWN BY SAKIYAMA	DATE 2003/06/25	TITLE MINI ROBOT CONN. 40P STRAIGHT PLUG COVER ASS'Y		
	10 OVER 30 UNDER	±0.25	CHECKED BY JMIYAZAWA	DATE 2003/07/02	MOLEX INCORPORATED		
	30 OVER	±0.3	APPROVED BY YITO	DATE 2003/07/02	MATERIAL NO. SEE CHART	DOCUMENT NO. SD-500811-001	SHEET NO. 2 OF 2
	ANGULAR ±3 ° DRAFT WHERE APPLICABLE MUST REMAIN WITHIN DIMENSIONS		SIZE A3	THIS DRAWING CONTAINS INFORMATION THAT IS PROPRIETARY TO MOLEX INCORPORATED AND SHOULD NOT BE USED WITHOUT WRITTEN PERMISSION			