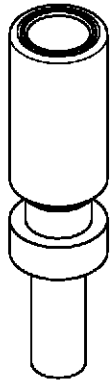
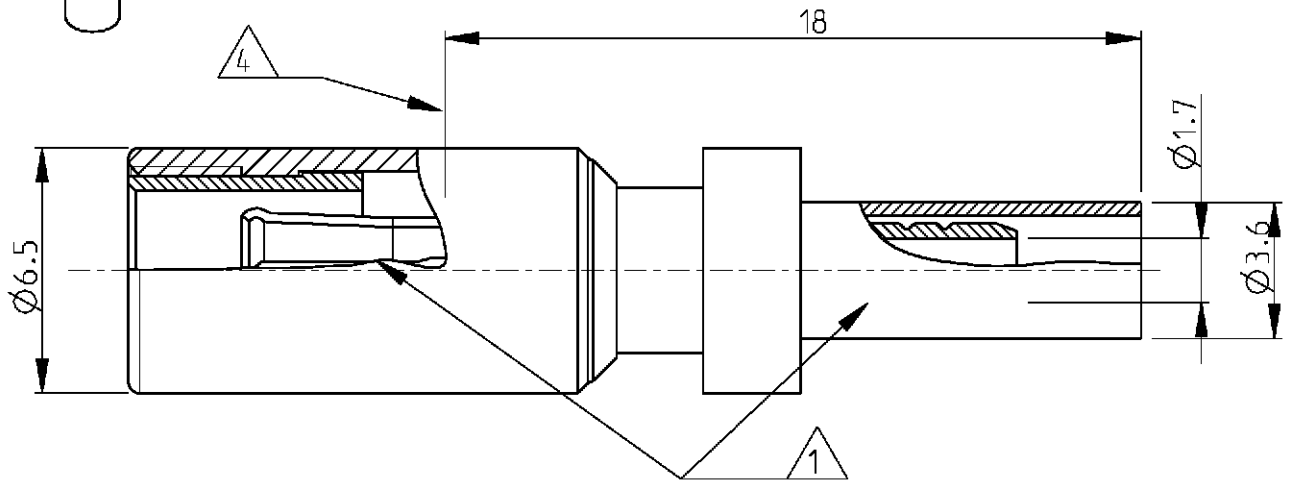


LOC	DIST	REVISIONS				
P	LTR	DESCRIPTION	DATE	DWN	APVD	
GW	-	A1	REVISED PER ECO-17-015071	20OCT2017	AS	RS



2:1

OBSOLETE



- 4 Reference plane
- 3. Cable type : RG179 B/U
- 2. Mating face according to DIN 47297 and CECC 22230
- 1 Supplied as loose part



1:1

V23614-A102-A57	5-1393670-5	Dielectric	PTFE	
		Outer Con.	Cu Be	1µm Au min in contact area
		Center Con.	Brass	1µm Au min in contact area
Old Nr	Tyco Nr	Description	Material	Plating

2000

RELEASED FOR PUBLICATION

THIS DRAWING IS UNPUBLISHED.

BY TYCO ELECTRONICS CORPORATION. ALL RIGHTS RESERVED.



DIMENSIONS:	DWN	02APR2001	MATERIAL	FINISH
mm	MOROBE		-	-
TOLERANCES UNLESS OTHERWISE SPECIFIED:	CHR	4apr2001	Tyco Electronics Oostkamp - Belgium	
0 PLC ±	MATTHEEUWS	5APR2001		
1 PLC ±0.5	APVD			
2 PLC ±0.13	BOZZER		NAME	
3 PLC ±0.013	PRODUCT SPEC	108-71032	CABLE PLUG	
4 PLC ±0.0001	APPLICATION SPEC	114-71009	1.0/2.3 75 Ohm	
ANGLES ±	WEIGHT	-	SIZE	CAGE CODE
			A 4	00779
			DRAWING NO	
			C=5-1393670-5	
			RESTRICTED TO	
			-	
			SCALE	SHEET
			5/1	1 OF 1
				REV
				A1