

Ratings

Voltage: 300 V

Temperature

Static: -40 to 105 °C

Dynamic: -20 to 105 °C

Flammability: VW-1

Water resistant: 75 °C

Oil resistant: 60 °C (jacket)

≥50% elongation and tensile strength after aging

UV resistance: jacket, 720 hours xenon or carbon arc exposure

≥80% tensile strength and elongation after aging

Conductor

Conductor count: 5

Gauge: 18 AWG 0.82 mm²

Material: tinned copper strands

Strand size: Ø 0.16 mm x 41

Resistance at 20 °C: 23.2 Ω /km Max

Insulator

Material: PVC

Color: red, black, white, yellow, blue

Diameter: Ø 2.1 ±0.10 mm

Nominal thickness: 0.38 mm

Resistance at 20 °C: 10 MΩ /km Min

Drain

Stranding: Ø 0.16 mm x 41

Material: tinned copper strands

Shield

Type: aluminum mylar + tinned copper braid

Coverage: 65% min braid, 100% foil

Braid stranding: Ø0.10 mm

Filler

Material: cotton rope

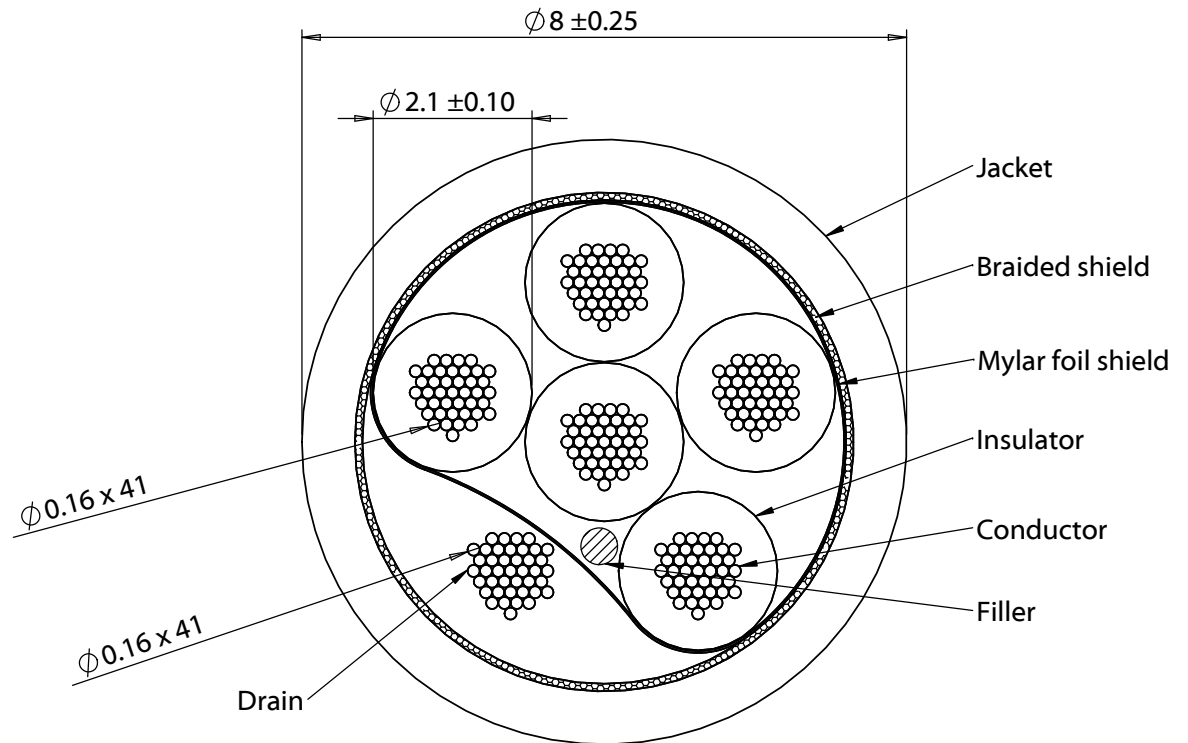
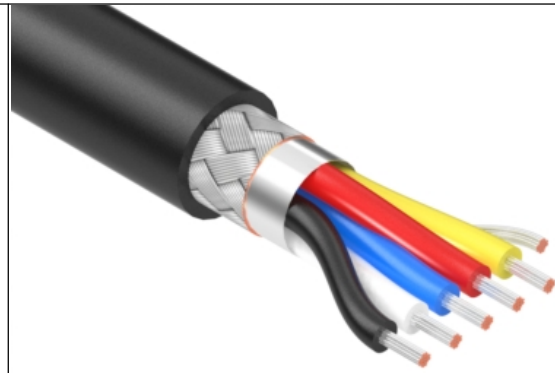
Outer jacket

Material: PVC, 80A

Color: black

Diameter: Ø 8 ±0.25 mm

Nominal thickness: 0.90 mm

Wire marking: E339579 UL AWM STYLE 20387 18 AWG 105°C 300V VW-1 60°C OIL RESISTANT UV RESISTANT TENSILITY**Use:** External wiring

Revision:	Date:	Description:	Prepared:	Notes:	TENSILITY tel 1.541.323.3228 800 877.670.7118 fax 1.541.323.4202 web tensility.com
A	8/25/2020	Initial release	Verified:	RoHS compliant Function test: no open, no short circuit, no intermittent	
			Dimensions are in millimeters. Tolerances: X: ± 0.5 mm X.X: ± 0.3 mm X.XX: ± 0.05 mm	Description: Wire, 5C TS, 18 AWG, UL20387, 300V, 105C, 60C oil, UV, 8 mm, shielded, VW-1, PVC, 80A, black	Size: A Part number: 30-01584
					Scale: 10:1 Sheet 1 of 1

4

4

3

2

1