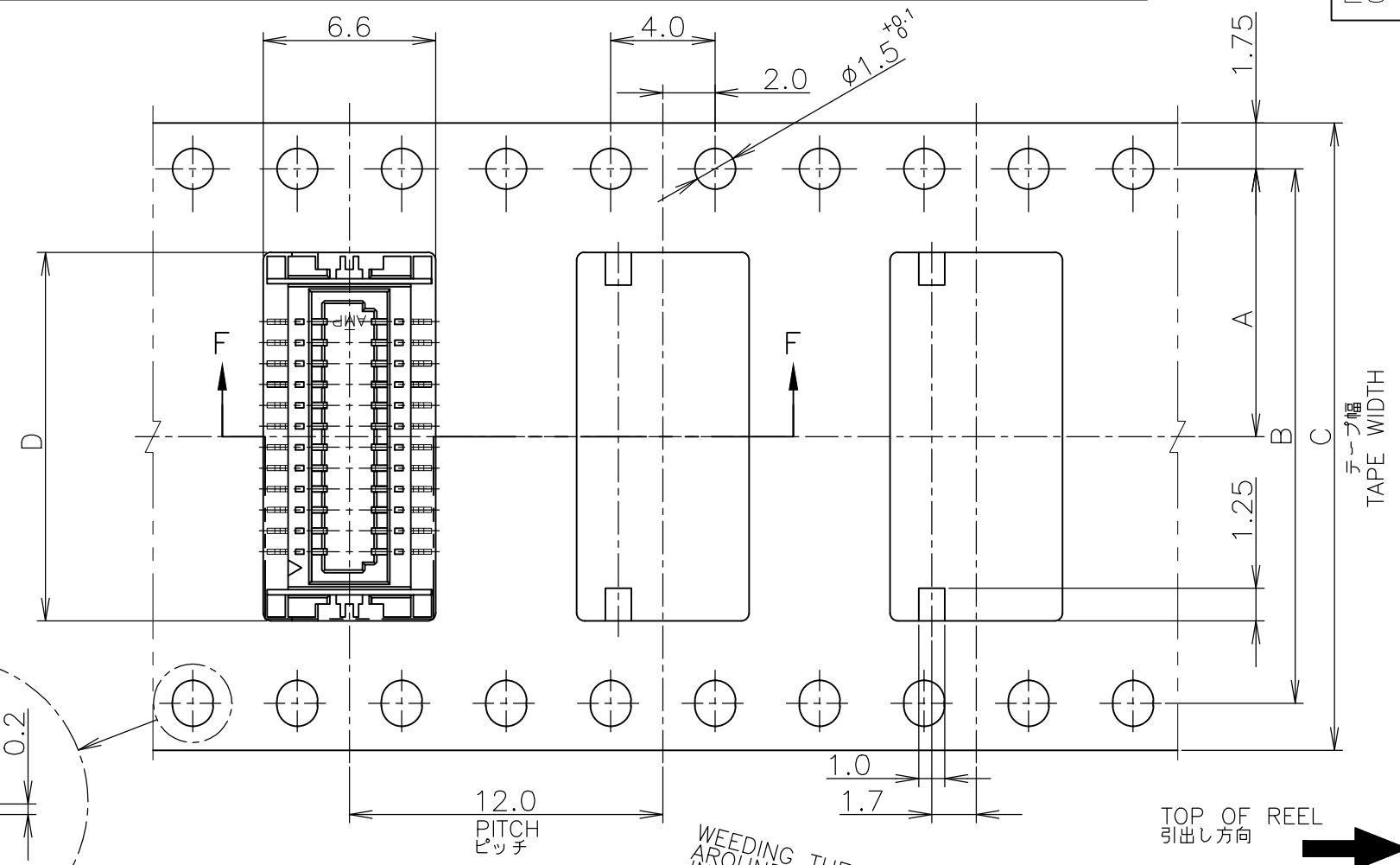
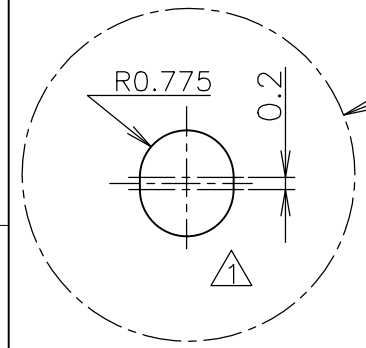
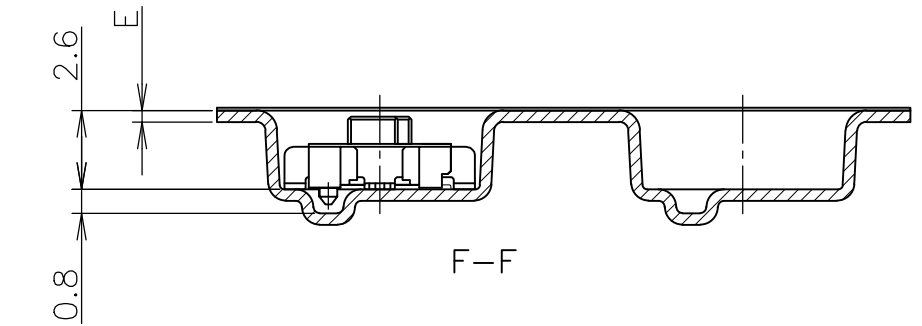


THIS DRAWING IS UNPUBLISHED. RELEASED FOR PUBLICATION FEB, 1994.
 © COPYRIGHT 1994 By - ALL RIGHTS RESERVED.

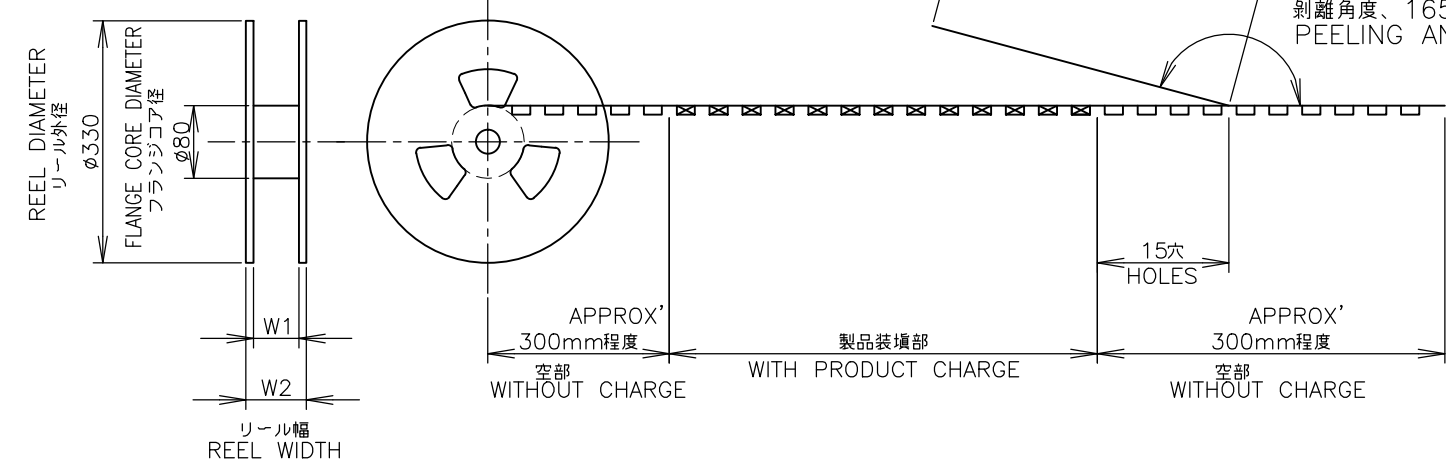
LOC	DIST	REVISIONS					
ES		P	LTR	DESCRIPTION	DATE	DWN	APVD
			H3	REVISED ECR-13-017827	20DEC2013	J.J	W.H



△ 指示穴は40極品以上に適用。
 △ THESE HOLES ARE APPLIED TO 40 POS OR MORE.



WEEDING THE COVER TAPE AROUND THE OUTER PERIPHERY IN A TURN.
 カバーテープリーダ部外周一巻
 剥離角度、165°~180°
 PEELING ANGLE.



OBSOLETE	49.5	45.5	0.38	24.5	44	40.4	20.2	1500	50	5-179396-0
OBSOLETE	37.5	33.5	↑	20.5	32	28.4	14.2	↑	40	4-↑-0
OBSOLETE	↑	↑	↑	16.5	↑	↑	↑	↑	30	3-↑-0
OBSOLETE	29.5	25.5	↑	14.1	24	↑	11.5	↑	24	2-↑-4
OBSOLETE	↑	↑	↑	10.9	↑	↑	↑	↑	16	1-↑-6
OBSOLETE	21.5	17.5	0.38	10.1	↑	↑	↑	↑	14	1-↑-4
	22.4	16.4	0.4	9.3	16	↑	7.5	1500	12	1-179396-2

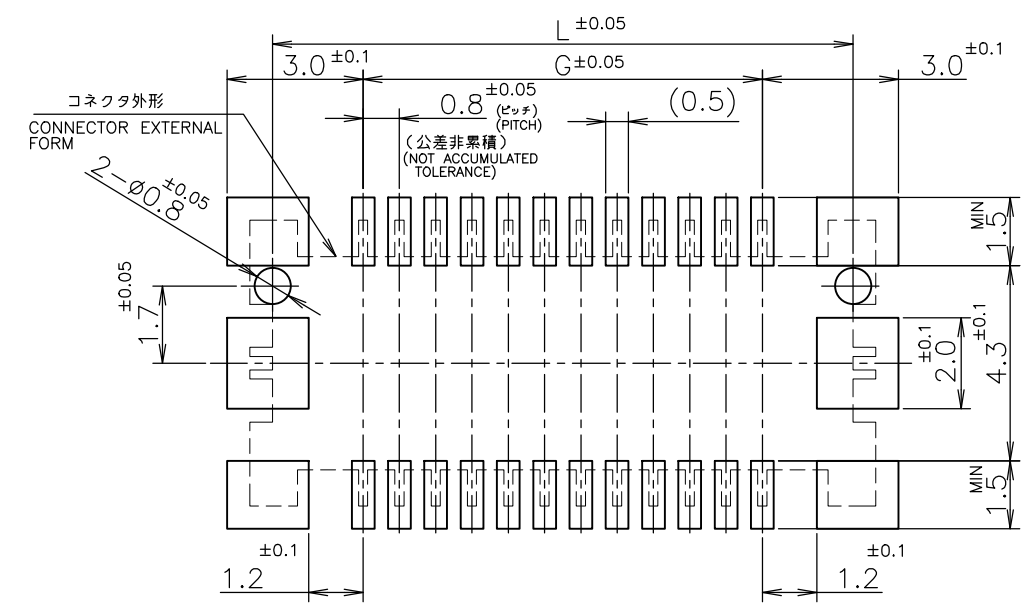
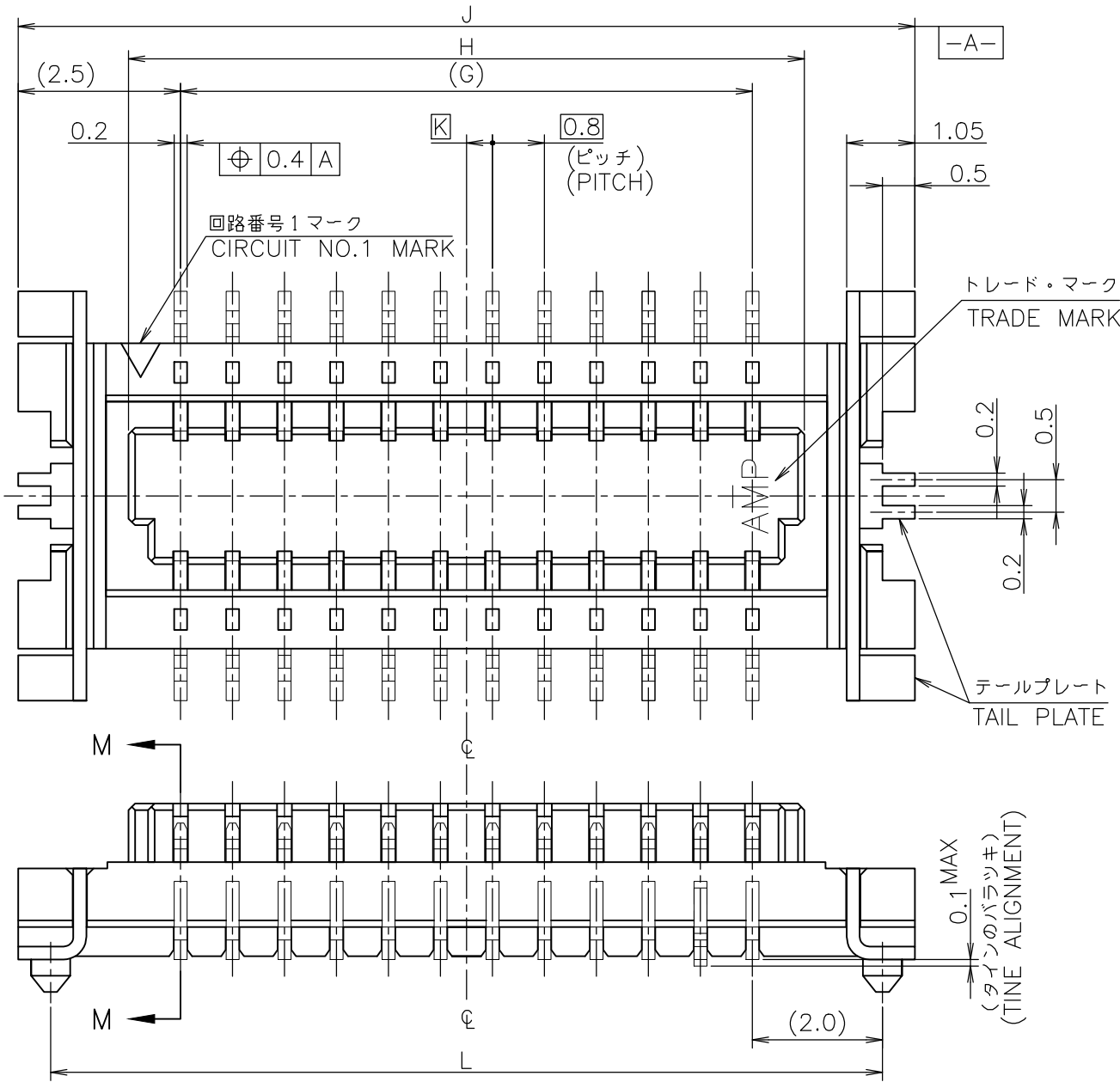
INSTRUCTION SHEET 取扱説明書	411-5654	W2	W1	E	D	C	B	A	数量 (ヶ) QTY/REEL	極数 POS	リール巻 コネクタ型番 TAPING P/N
----------------------------	----------	----	----	---	---	---	---	---	-----------------------	-----------	------------------------------

THIS DRAWING IS A CONTROLLED DOCUMENT.

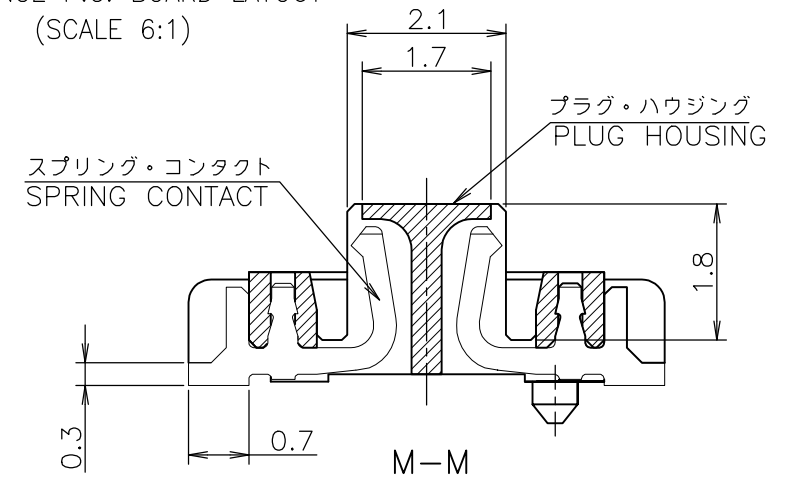
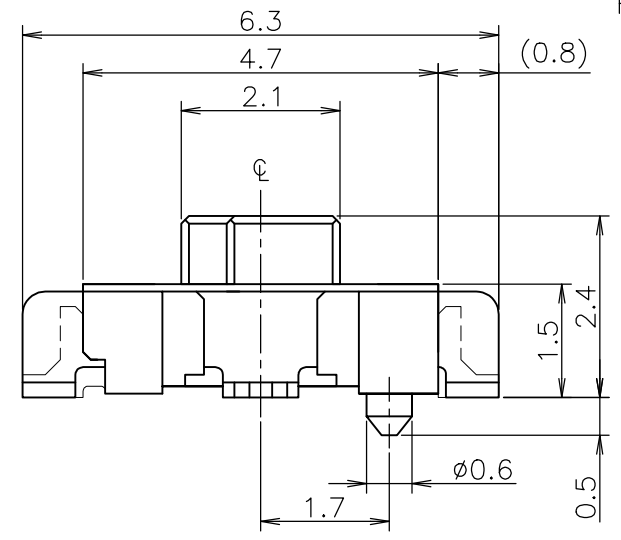
DIMENSIONS: 単位: 耗 mm	TOLERANCES UNLESS OTHERWISE SPECIFIED: 一般公差	DWN K.ASAKAWA 24FEB94	TE Connectivity																																							
<table border="1"> <tr><td>0 PLC</td><td>± 0.2</td></tr> <tr><td>1 PLC</td><td>± 0.2</td></tr> <tr><td>2 PLC</td><td>± 0.2</td></tr> <tr><td>3 PLC</td><td>± 0.2</td></tr> <tr><td>4 PLC</td><td>± 0.2</td></tr> <tr><td>ANGLES</td><td>± 3°</td></tr> </table>	0 PLC	± 0.2		1 PLC	± 0.2	2 PLC	± 0.2	3 PLC	± 0.2	4 PLC	± 0.2	ANGLES	± 3°	<table border="1"> <tr><td>CHK</td><td>-</td></tr> <tr><td>APVD</td><td>01NOV96</td></tr> <tr><td>NAME</td><td>S.KUBOUCHI</td></tr> <tr><td>PRODUCT SPEC</td><td>製品規格</td></tr> <tr><td>108-5424</td><td></td></tr> <tr><td>APPLICATION SPEC</td><td>取付適用規格</td></tr> <tr><td>WEIGHT</td><td></td></tr> </table>	CHK	-	APVD	01NOV96	NAME	S.KUBOUCHI	PRODUCT SPEC	製品規格	108-5424		APPLICATION SPEC	取付適用規格	WEIGHT		<table border="1"> <tr><td>NAME</td><td>ON TAPING EMBOSS PLUG ASSEMBLY WITH BOSS</td></tr> <tr><td>0.8mm PITCH BOARD TO BOARD CONNECTOR</td><td></td></tr> <tr><td>MATING HEIGHT 3.0mm</td><td></td></tr> <tr><td>SIZE</td><td>A3</td></tr> <tr><td>CAGE CODE</td><td>00779</td></tr> <tr><td>DRAWING NO</td><td>C-179396</td></tr> <tr><td>RESTRICTED TO</td><td></td></tr> </table>	NAME	ON TAPING EMBOSS PLUG ASSEMBLY WITH BOSS	0.8mm PITCH BOARD TO BOARD CONNECTOR		MATING HEIGHT 3.0mm		SIZE	A3	CAGE CODE	00779	DRAWING NO	C-179396	RESTRICTED TO
0 PLC	± 0.2																																									
1 PLC	± 0.2																																									
2 PLC	± 0.2																																									
3 PLC	± 0.2																																									
4 PLC	± 0.2																																									
ANGLES	± 3°																																									
CHK	-																																									
APVD	01NOV96																																									
NAME	S.KUBOUCHI																																									
PRODUCT SPEC	製品規格																																									
108-5424																																										
APPLICATION SPEC	取付適用規格																																									
WEIGHT																																										
NAME	ON TAPING EMBOSS PLUG ASSEMBLY WITH BOSS																																									
0.8mm PITCH BOARD TO BOARD CONNECTOR																																										
MATING HEIGHT 3.0mm																																										
SIZE	A3																																									
CAGE CODE	00779																																									
DRAWING NO	C-179396																																									
RESTRICTED TO																																										
MATERIAL 材料	FINISH 仕上	<table border="1"> <tr><td>CUSTOMER DRAWING</td><td>SCALE 尺度 4:1</td><td>SHEET 1 OF 2</td><td>REV H3</td></tr> </table>		CUSTOMER DRAWING	SCALE 尺度 4:1	SHEET 1 OF 2	REV H3																																			
CUSTOMER DRAWING	SCALE 尺度 4:1	SHEET 1 OF 2	REV H3																																							

THIS DRAWING IS UNPUBLISHED. RELEASED FOR PUBLICATION FEB, 1994.
 © COPYRIGHT 1994 By - ALL RIGHTS RESERVED.

LOC	DIST	REVISIONS			DATE	DWN	APVD
		P	LTR	DESCRIPTION			
ES		-		SEE SHEET 1	-	-	-



参考基板加工寸法 (t=0.6 MIN.)
 REFERENCE P.C. BOARD LAYOUT
 (SCALE 6:1)



0.410	23.2	---	24.2	20.75	19.2	50
-0.340	19.2	0.4	20.2	16.75	15.2	40
0.270	15.2	---	16.2	12.75	11.2	30
0.228	12.8	0.4	13.8	10.35	8.8	24
0.172	9.6	0.4	10.6	7.15	5.6	16
0.158	8.8	---	9.8	6.35	4.8	14
0.144	8.0	0.4	9.0	5.55	4.0	12
重量 (g) WEIGHT	L	K	J	H	G	極数 POS

△ 材料: ハウジング - 6T NYLON (高耐熱性ナイロン)
 ガラス30%, 色: ベージュ
 コンタクト - 燐青銅・錫めっき (0.2t)
 テールプレート - 燐青銅・錫めっき (0.2t)

△ MATERIAL: HOUSING - 6T NYLON (HIGH HEAT-RESISTED NYLON), GF30%,
 COLOR: BEIGE.
 CONTACT - POST-TIN/PHOS-BROZ(0.2t)
 TAIL PLATE - POST-TIN/PHOS-BROZ(0.2t)

THIS DRAWING IS A CONTROLLED DOCUMENT.

DIMENSIONS: 単位: 耗 mm	TOLERANCES UNLESS OTHERWISE SPECIFIED: 一般公差	DWN	STE TE Connectivity		
	0 PLC ± 0.2 1 PLC ± 0.2 2 PLC ± 0.2 3 PLC ± 0.2 4 PLC ± 0.2 ANGLES ± 3°	CHK			
MATERIAL 材料	FINISH 仕上	APVD	NAME 名称		
SEE NOTE △ 注 △ 参照	SEE NOTE △ 注 △ 参照	PRODUCT SPEC 製品規格	ON TAPING EMBOSS PLUG ASSEMBLY WITH BOSS 0.8mm PITCH BOARD TO BOARD CONNECTOR MATING HEIGHT 3.0mm		
		APPLICATION SPEC 取付適用規格	SIZE	CAGE CODE	DRAWING NO 番号
		WEIGHT	A3	00779	G-179396
CUSTOMER DRAWING			RESTRICTED TO	SCALE 尺度	SHEET
				10:1	2 OF 2
					REV H3