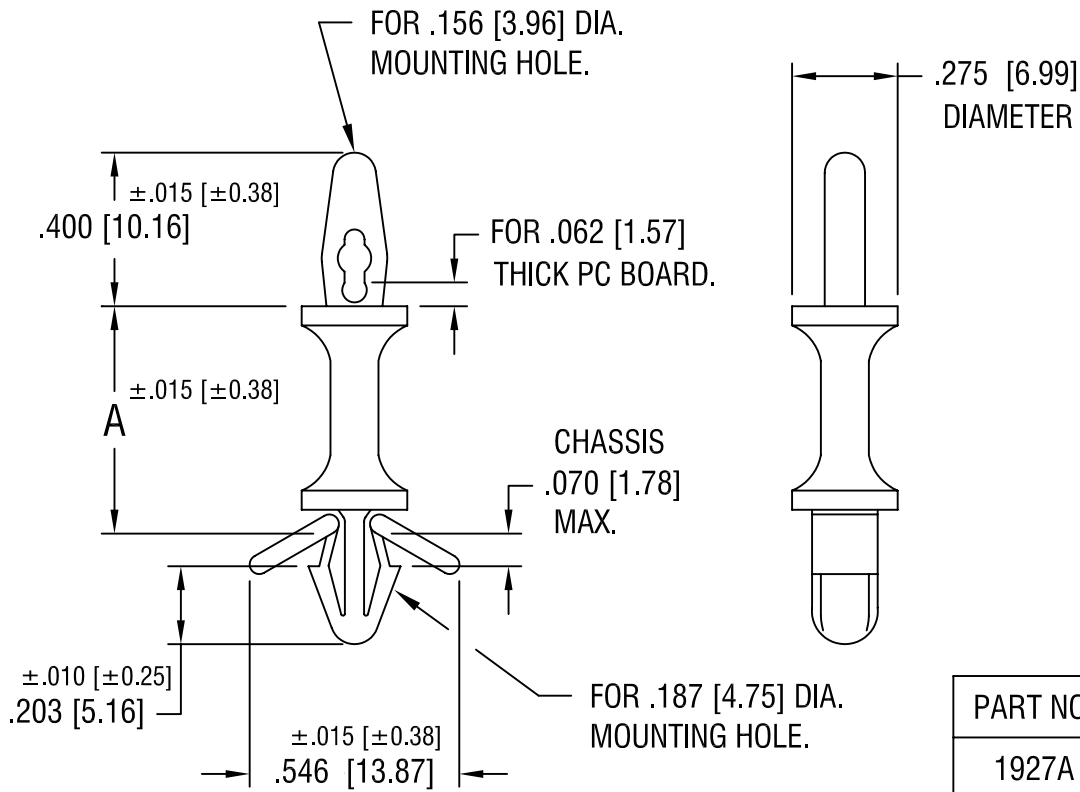


THIS DOCUMENT IS THE PROPERTY OF KEYSTONE ELECTRONICS CORP. AND SHALL NOT BE REPRODUCED, DISTRIBUTED OR USED AS A BASIS FOR MANUFACTURE WITHOUT PRIOR WRITTEN PERMISSION FROM KEYSTONE ELECTRONICS CORP.



| PART NO. | 'A' DIM. |
|----------|---------------|
| 1927A | .250 [6.35] |
| 1928A | .375 [9.52] |
| 1929A | .500 [12.70] |
| 1930A | .625 [15.87] |
| 1931A | .750 [19.05] |
| 1932A | .875 [22.22] |
| 1933A | 1.000 [25.40] |

KEYSTONE ELECTRONICS CORP.

ASTORIA, N.Y. 11105-2017

PART NAME

PC TENSION-FIT SUPPORT

MATERIAL

NYLON UL 94V-0

FINISH

-

DRN BY

BOONE

DATE

11.20.95

APPD

LN

SCALE

2X

TOLERANCES

INCH [MM]

DECIMAL $\pm .005$ [± 0.15]

ANGULAR $\pm 1^\circ$

UNLESS OTHERWISE SPECIFIED

CODE

C

DWG NO.

1927A-1933A

DATE

DESCRIPTION

REV.