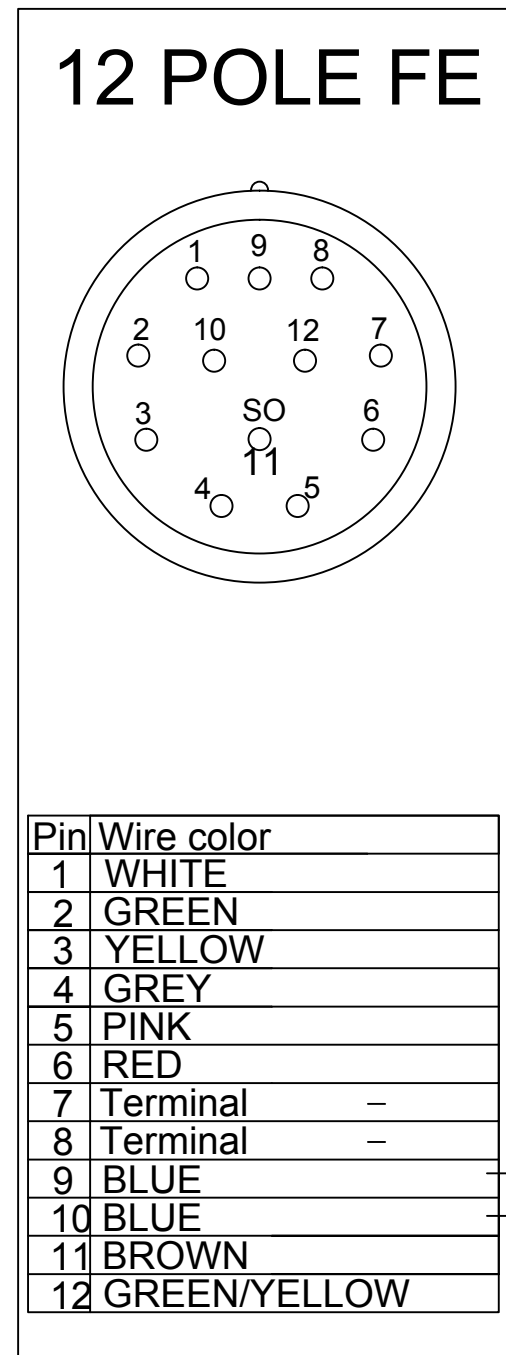
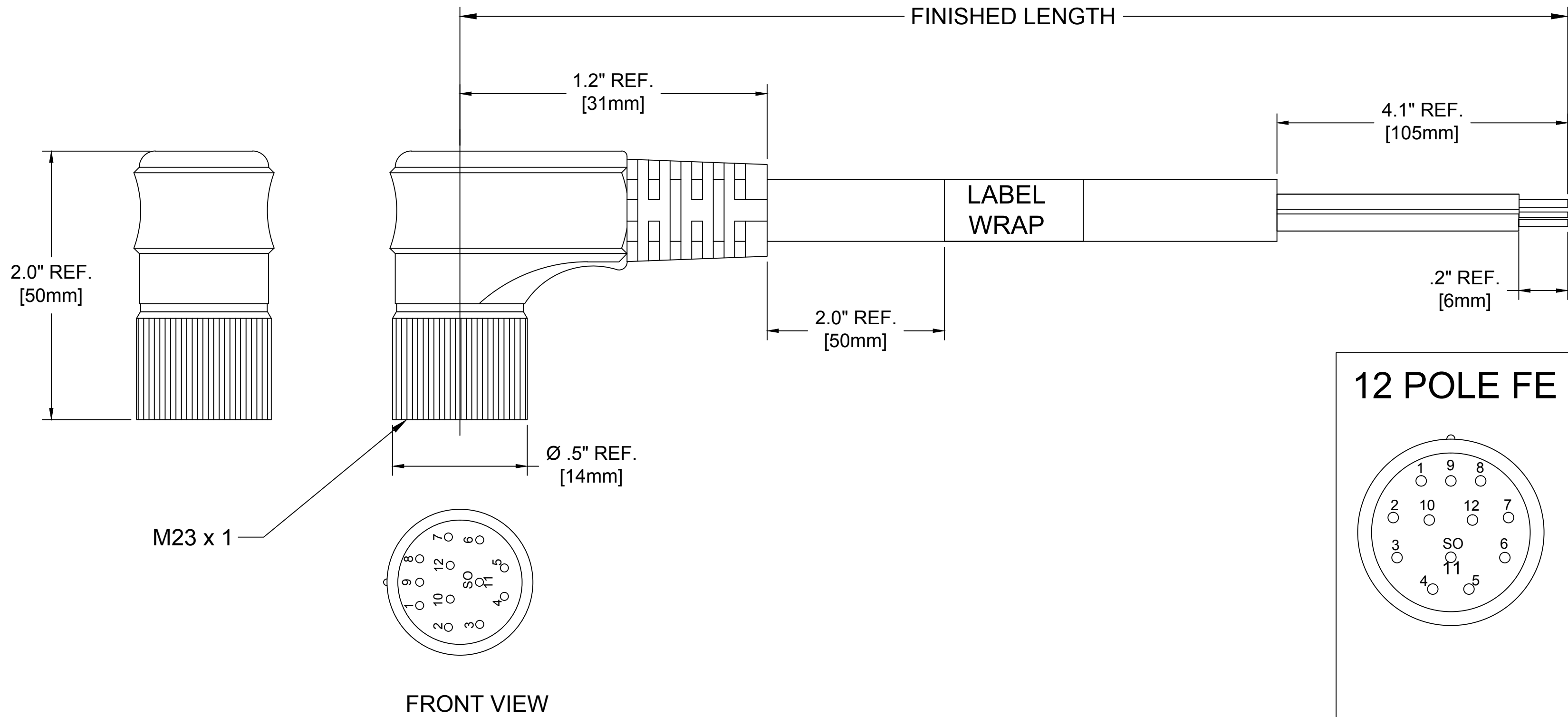


MATERIAL NUMBER	OLD PART NUMBER	FINISHED LENGTH
1200948013	K02201P80M100	10M +317.5mm -0 [32.8FT. +12.5IN -0]



K02201P80M100

cable type: 3 x 1.00mm² + 6 x 0.34mm² BLACK PUR
 cable length: 010----1 Meters 100----10Meters

SPECIFICATION DATA

COMPONENT	MATERIAL	FINISH
LABEL	MYLAR	BLACK/YELLOW
COUPLER	BRASS	NICKEL PLATED
CONTACT	COPPER ALLOY	Au OVER Ni
INSERT	PUR	BLACK
OVERMOLD	TPU	BLACK
CABLE #18/3 AWG #22/6 AWG	PUR	BLACK
VOLTAGE RATING:	63V AC/DC	
AMPERAGE RATING:	6A	
PROTECTION CLASS:	IP 67	
OPERATING TEMPERATURE:	-25°C / 90°C	

EC NO: IFC2014-0769 DRWN: GGUSTAFS 2013/11/15 CH'KD: BARDEN APPR: BWOODMAN2013/11/25 A	QUALITY SYMBOL	GENERAL TOLERANCES (UNLESS SPECIFIED)	DIMENSION STYLE	SCALE	DESIGN UNITS	THIRD ANGLE PROJECTION															
	$\nabla=0$ $\sphericalangle=0$	<table border="1"> <tr> <th></th> <th>mm</th> <th>INCH</th> </tr> <tr> <td>4 PLACES</td> <td>±---</td> <td>±---</td> </tr> <tr> <td>3 PLACES</td> <td>±---</td> <td>±.005</td> </tr> <tr> <td>2 PLACES</td> <td>±0.13</td> <td>±.010</td> </tr> <tr> <td>1 PLACE</td> <td>±0.25</td> <td>±.020</td> </tr> </table>		mm	INCH	4 PLACES	±---	±---	3 PLACES	±---	±.005	2 PLACES	±0.13	±.010	1 PLACE	±0.25	±.020	IN/MM	NTS	INCH	
		mm	INCH																		
	4 PLACES	±---	±---																		
3 PLACES	±---	±.005																			
2 PLACES	±0.13	±.010																			
1 PLACE	±0.25	±.020																			
	ANGULAR ±.5°	DRAWN BY DATE	TITLE																		
	DRAFT WHERE APPLICABLE MUST REMAIN WITHIN DIMENSIONS	GGUSTAFS 2013/11/15	M23 12 POLE 9W FE-90 -10M #18/#22 PUR BLACK																		
		CHECKED BY DATE	BARDEN 2013/12/04																		
		APPROVED BY DATE	BWOODMAN 2013/11/25																		
		MATERIAL NO.	SEE CHART																		
		SIZE	C																		
		THIS DRAWING CONTAINS INFORMATION THAT IS PROPRIETARY TO MOLEX INCORPORATED AND SHOULD NOT BE USED WITHOUT WRITTEN PERMISSION		DOCUMENT NO.	SHEET NO.																
				SD-120094-012	1 OF 1																