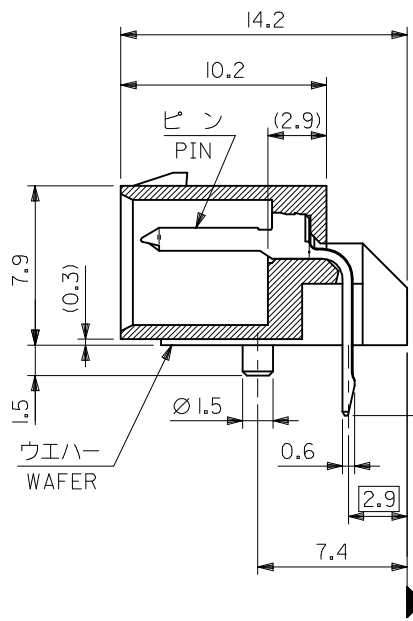
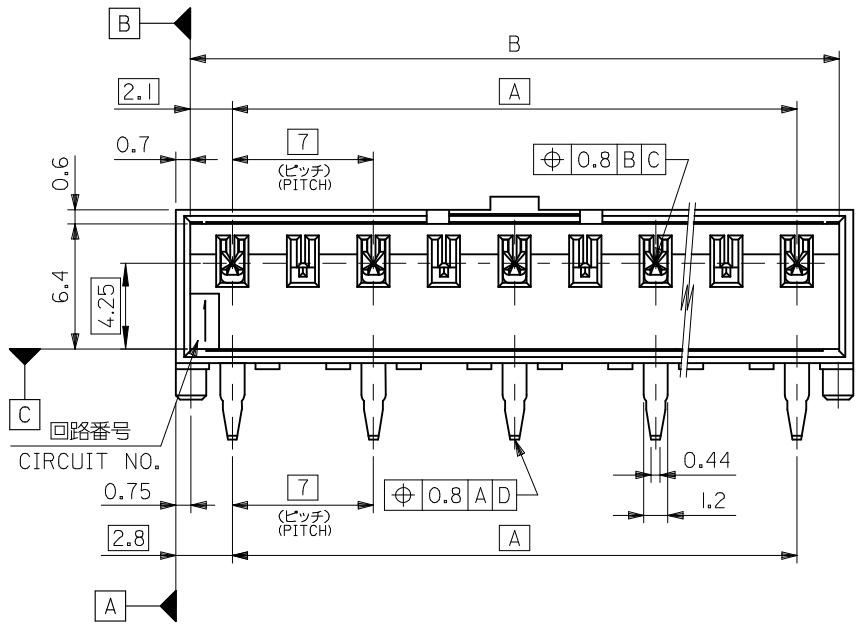


基板取付穴推奨寸法 (参考) (t = 1.6)
RECOMMENDED P.C. BOARD HOLE DIM. (REF.)



8.7	54.6	53.2	49.0	---	53266-0850	8
8.7	47.6	46.2	42.0	---	53266-0750	7
8.7	40.6	39.2	35.0	---	53266-0650	6
8.7	33.6	32.2	28.0	---	53266-0550	5
8.7	26.6	25.2	21.0	---	53266-0450	4
8.7	19.6	18.2	14.0	53266-0352	53266-0350	3
6.1	12.6	11.2	7.0	53266-0252	53266-0250	2
(D)	C	B	A	赤/RED	自然色/NATURAL	CKT. 極数
				TRAY PACKAGE		
				ORDER No. オーダー番号		

- 注記 NOTES
- 嵌合相手: 51067 シリーズ
MATE WITH : 51067 SERIES
 - 材質
MATERIAL
ウエハー : PBTP (ガラス15%入り)、UL94V-0
WAFER : PBTP (G.F 15%), UL94V-0
ピン : [リン青銅, 錫メッキ (t=0.25μ)]
PIN : [PHOS. BRO., TIN (t=0.25μ)]
 - 本製品は 53266-**1* の鉛フリー品である。
THIS PRODUCT IS LEAD FREE OF 53266-**1*.

REVISED EC NO: J2009-1054 DRWN:MMABEL 2009/02/17 CHKD:HYAJIMA 2009/02/18 APPR:NUKITA 2009/02/18	53266-**5*	MODEL NO.	DIMENSION STYLE MM ONLY	SCALE ---	DESIGN UNITS METRIC	THIRD ANGLE PROJECTION
	GENERAL TOLERANCES (UNLESS SPECIFIED)		DRAWN BY M. NABEI	DATE '05/02/16	TITLE 7.0 WIRE TO BOARD CONN WAFER ASSY (R/A) -LEAD FREE-	
	10 UNDER ±0.2	10 OVER 30 UNDER ±0.25	CHECKED BY K. TOJO	DATE '05/02/16	APPROVED BY N. UKITA	
	30 OVER ±0.3	ANGULAR ±3 °	DRAFT WHERE APPLICABLE MUST REMAIN WITHIN DIMENSIONS	DATE '05/02/16	MATERIAL NO. SEE TABLE	
			SIZE A3	DOCUMENT NO. SD-53266-004		SHEET NO. 1 OF 1